

Features:

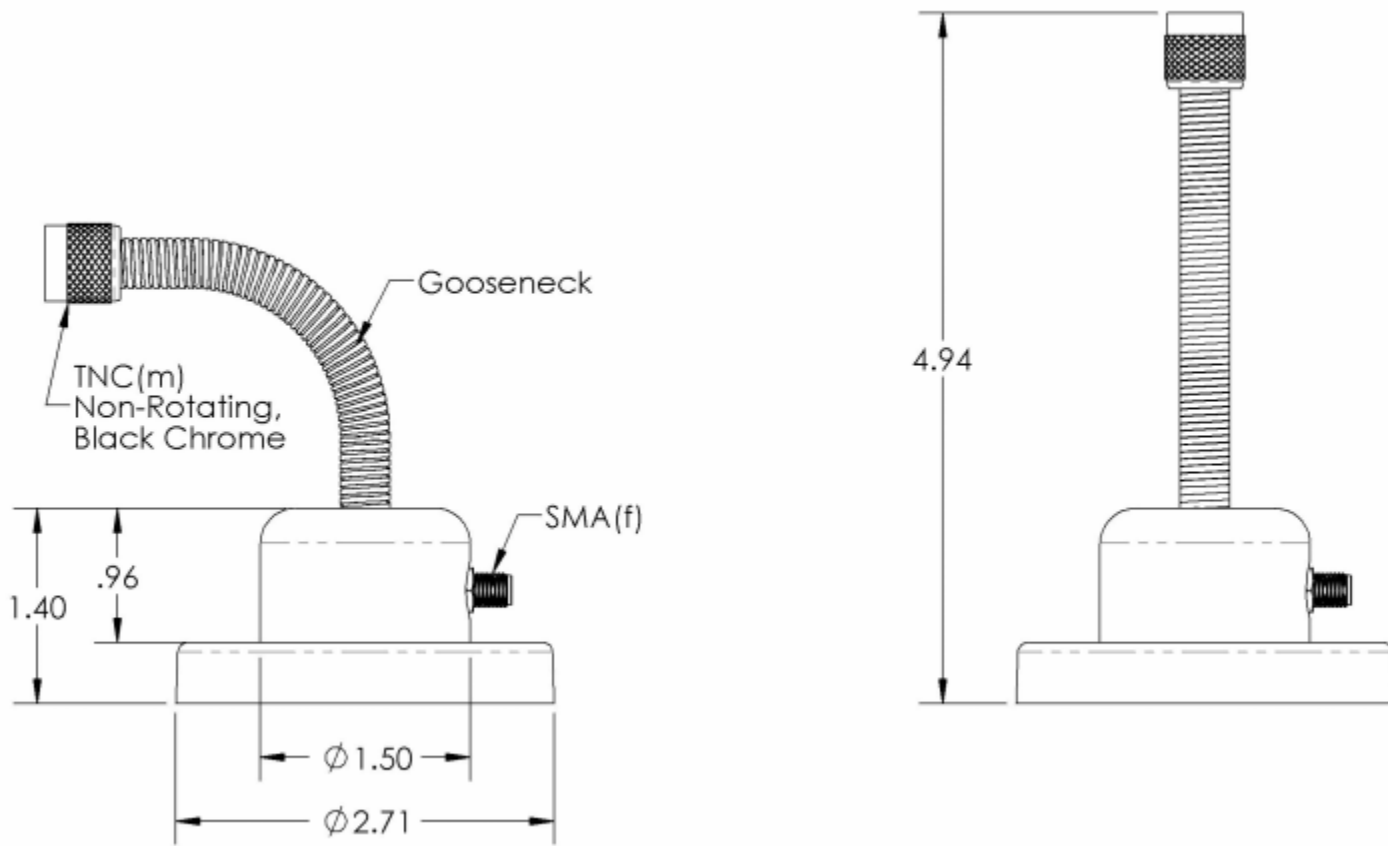
- Heavy duty magnetic mount base
- TNC(m) non-rotating black chrome RF Connector for antenna connection
- Flexible RF co-axial gooseneck assembly allows for a wide range of antenna placement
- Ideal for use with small form factor and PCB-style antennas
- Perfect for covert surveillance applications
- SMA(f) RF connector location in base for connection to radio via RF cable (sold separately)
- Includes black neoprene rubber surface protection cover (field replaceable)



Antenna Mount Kits

Parameter	Value	Units	Tolerance
Mount Gooseneck	yes		
Mount Gooseneck Length	3.00 / 76.20	inches / mm	
Mount Gooseneck Diameter	0.36 / 9.02	inches / mm	
Mount Min Frequency Range	0 / 0	GHz / MHz	
Mount Max Frequency Range	8 / 8,000	GHz / MHz	
Surface Protection	Black neoprene rubber surface protector, field replaceable		
Mount Antenna RF Connector	TNC(m) non-rotating, black chrome finish		
Mount Cable RF Connector	SMA(f), gold finish		
Magnet Maximum Hold Strength	20.0 / 9.1	lbs / kg	
Mount Color	Black		
Product Height	4.94 / 125.48	inches / mm	
Product Diameter	2.71 / 68.83	inches / mm	

Parameter	Value	Units	Tolerance
Mount Base Diameter	2.71 / 68.83	inches / mm	
Product Weight	8.0 / 226.8	oz / grams	



Engineering Drawing

Dimensions are in inches