

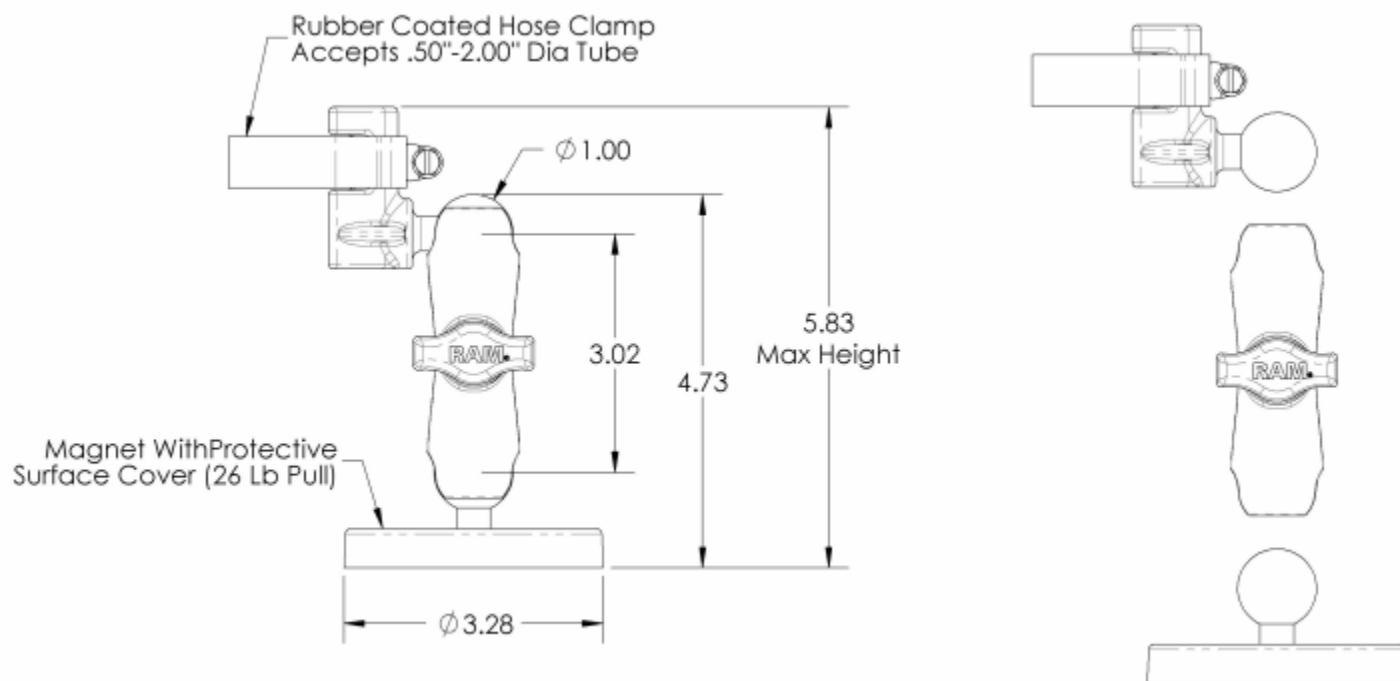
Features:

- Heavy duty magnetic mount base
- Two independent ball sockets for a wide range of antenna placement options
- Adjustable clamp used for mounting omni antennas
- Ideal for use with omni antennas
- Perfect for covert surveillance applications
- Includes black neoprene rubber surface protection cover (field replaceable)



Antenna Mount Kits

Parameter	Value	Units	Tolerance
Surface Protection	Black neoprene rubber surface protector, field replaceable		
Magnet Maximum Hold Strength	26.0 / 11.8	lbs / kg	
Mount Color	Black and chrome		
Product Height	5.83 / 148.08	inches / mm	
Product Diameter	3.28 / 83.31	inches / mm	
Mount Base Diameter	3.28 / 83.31	inches / mm	
Product Weight	17.3 / 490.4	oz / grams	



Engineering Drawing

Dimensions are in inches