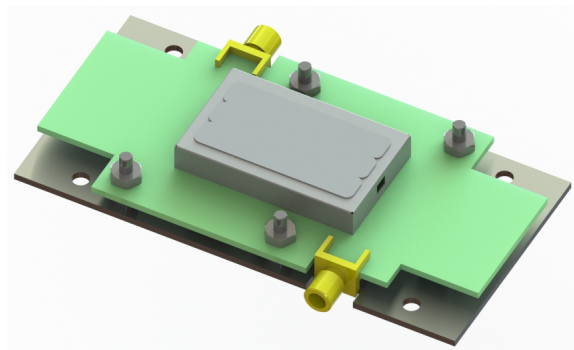


**Features:**

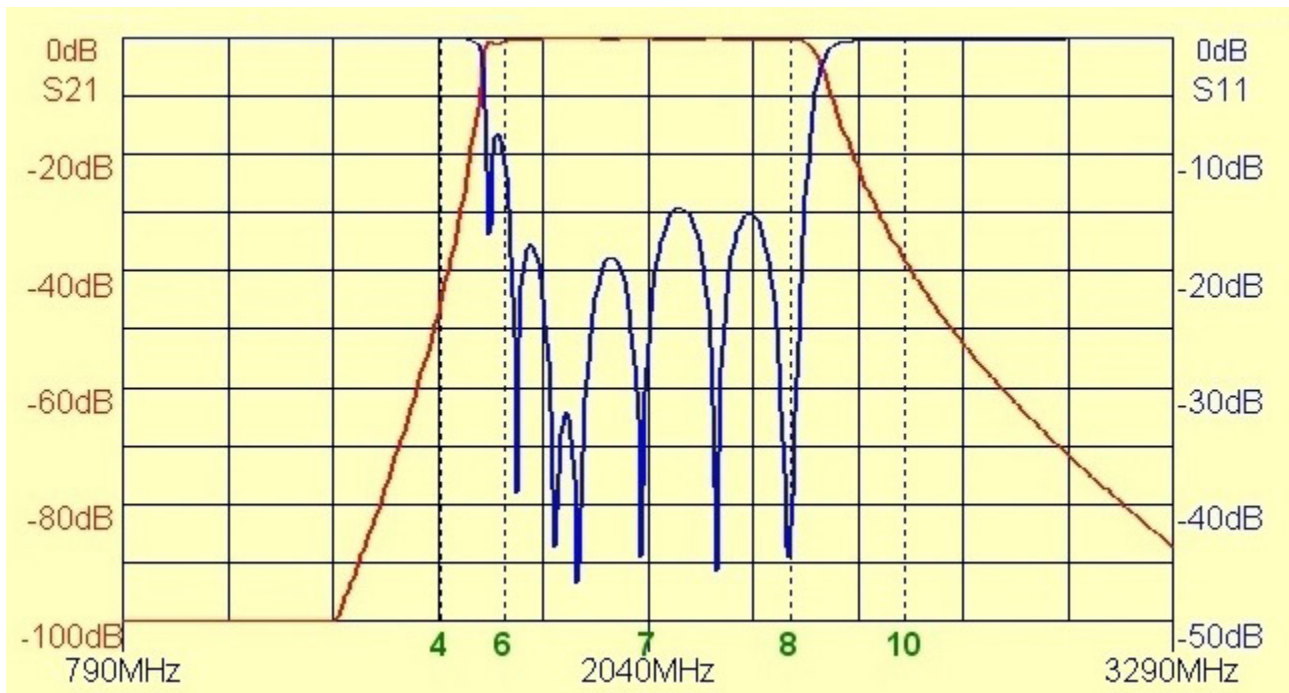
- 1.70 - 2.38GHz Frequency Range
- 8 Section (5mm), Ceramic Band Pass Filter
- Temperature Compensated
- Small Form Factor
- Perfect for Vehicle Concealments



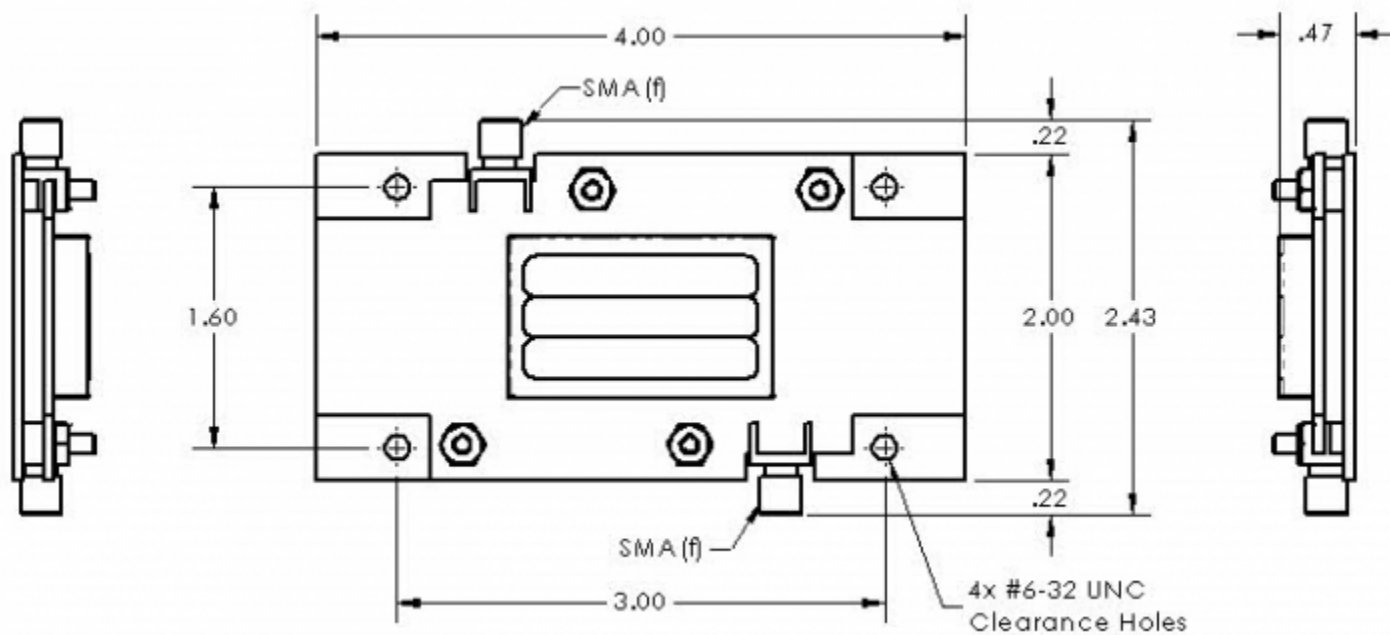
**Filter Specifications**

Parameter	Value	Units	Tolerance
<b>Filter Frequency Band</b>	L & S Bands		
<b>Filter Impedance</b>	50	Ohms	
<b>Filter Min Frequency</b>	1.7 / 1,700	GHz / MHz	
<b>Filter Max Frequency</b>	2.38 / 2,380	GHz / MHz	
<b>Insertion Loss</b>	1.2	dB	Maximum Over 1.70 - 2.38 GHz
<b>Return Loss</b>	12	dB	
<b>Rejection 1</b>	-30	dB	DC to 1.55 GHz, 2.65 GHz to (2XFO)
<b>Filter Length</b>	4.00 / 101.60	inches / mm	
<b>Filter Width</b>	2.43 / 61.72	inches / mm	
<b>Filter Height</b>	0.47 / 11.94	inches / mm	
<b>Operating Temp</b>	-20 to +60	C	
<b>Storage Temp</b>	-55 to +125	C	

Parameter	Value	Units	Tolerance
<b>Product Length</b>	4.00 / 101.60	inches / mm	
<b>Product Width</b>	2.43 / 61.72	inches / mm	
<b>Product Height</b>	0.47 / 11.94	inches / mm	
<b>RF Connectors</b>	SMA(f)		



Filter Response Plot



**Engineering Drawing**

Dimensions are in inches