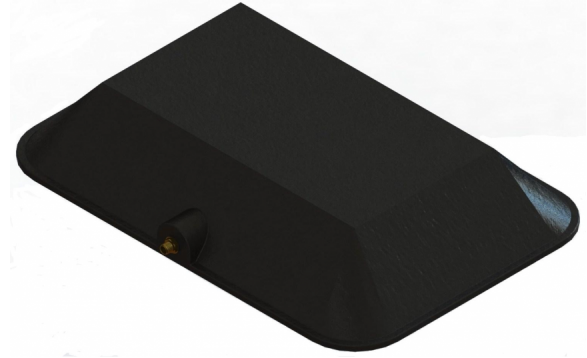


Features:

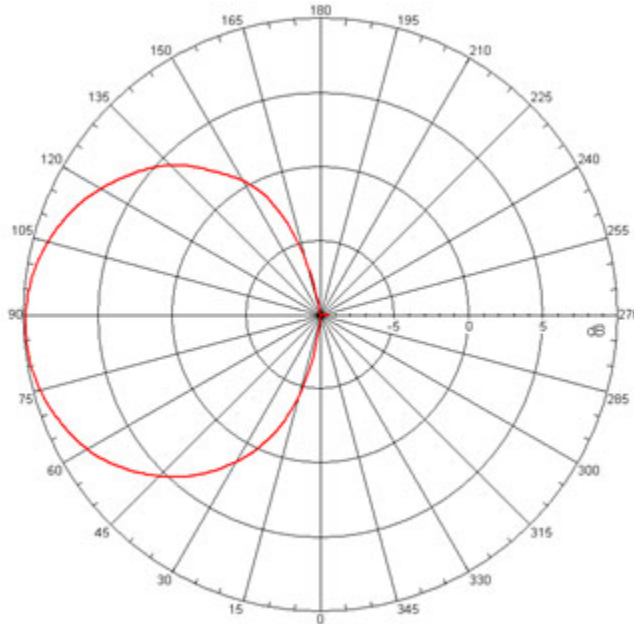
- ISM Band Coverage
- 902 - 928 MHz
- 9 dBi
- Black Kydex Radome
- Rugged Construction
- Designed for ISM Band communication in the following markets:
 - Law Enforcement
 - Surveillance
 - UAV & UGV Ground Stations



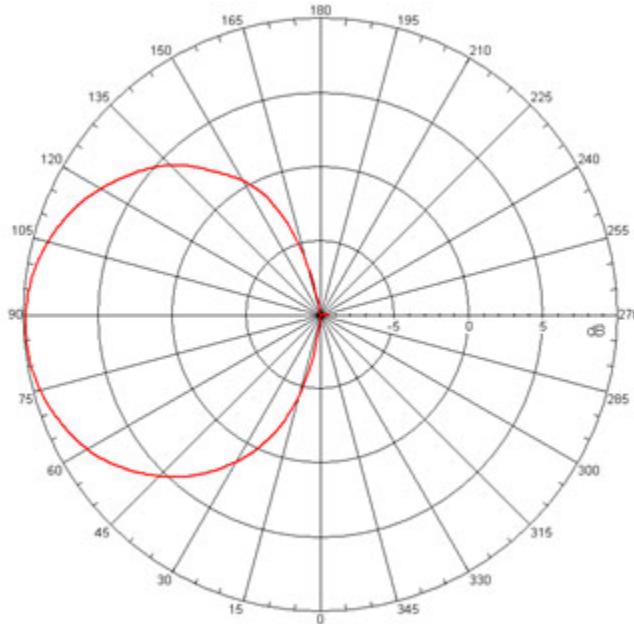
Antenna Specifications

Parameter	Value	Units	Tolerance
Antenna Pattern	Directional Antenna		
Impedance	50	Ohms	
Minimum Frequency	0.902 / 902	GHz / MHz	
Maximum Frequency	0.928 / 928	GHz / MHz	
Frequency Bandwidth	0.026 / 26	GHz / MHz	
Maximum VSWR	1.5:1	Ratio	
Maximum Gain	9	dBi	
Polarization	Vertical		
Maximum RF Input Power	100	Watts	
Horizontal (AZ) Beamwidth	55	Degrees	
Vertical (EL) Beamwidth	65	Degrees	
Ground Plane Required	No		

Parameter	Value	Units	Tolerance
Radome Material	Kydex		
Color	Flat Black		
Maximum Wind Velocity	100 / 161	mph / kph	
RF Connector Type	SMA(f)		
Product Length	11.160 / 283.464	inches / mm	±0.13"
Product Width	7.680 / 195.072	inches / mm	±0.13"
Product Height	1.970 / 50.038	inches / mm	±0.13"

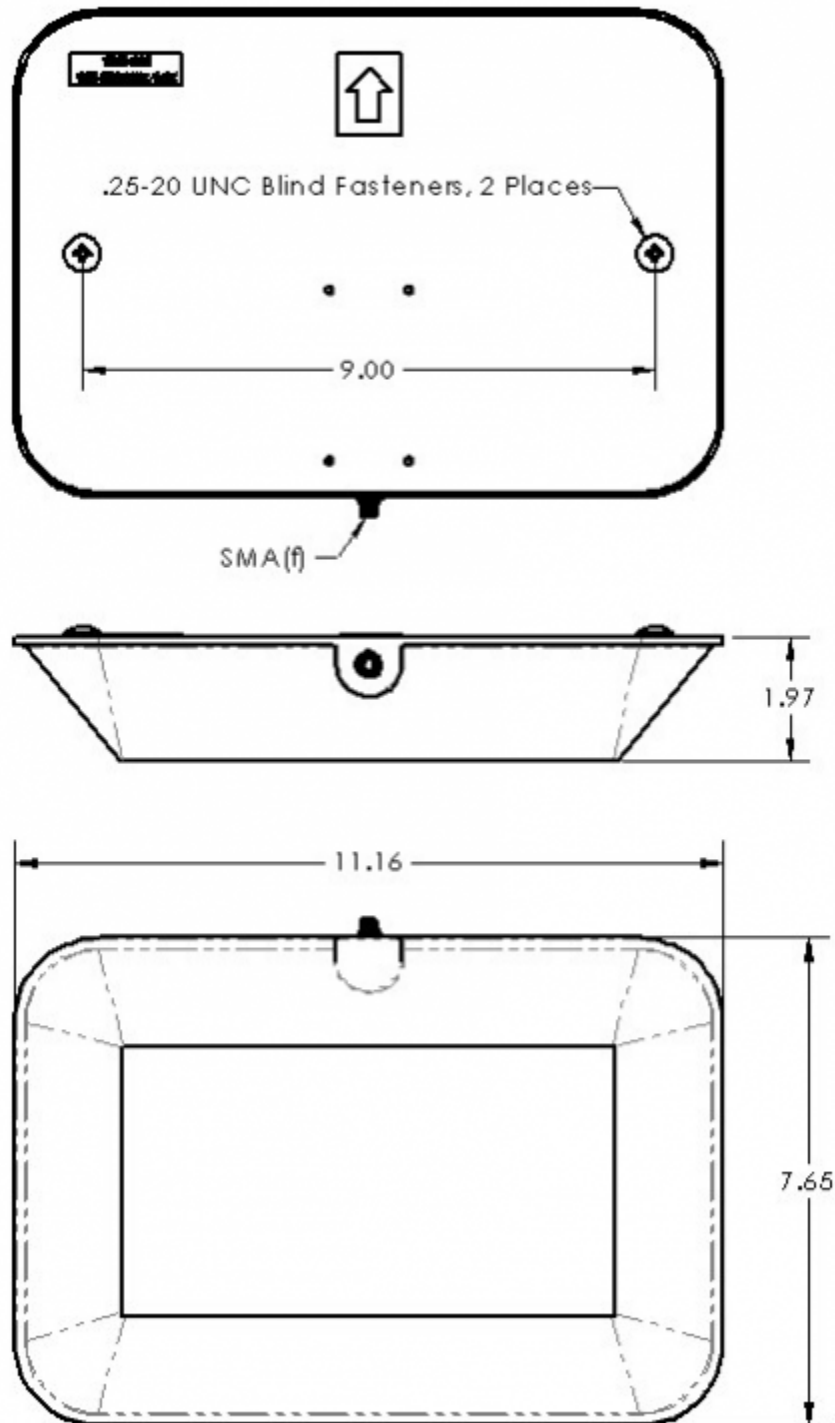


Azimuth Pattern



Elevation Pattern

Elevation - Referenced to +10 dBi



Engineering Drawing

Dimensions are in inches