

**Features:**

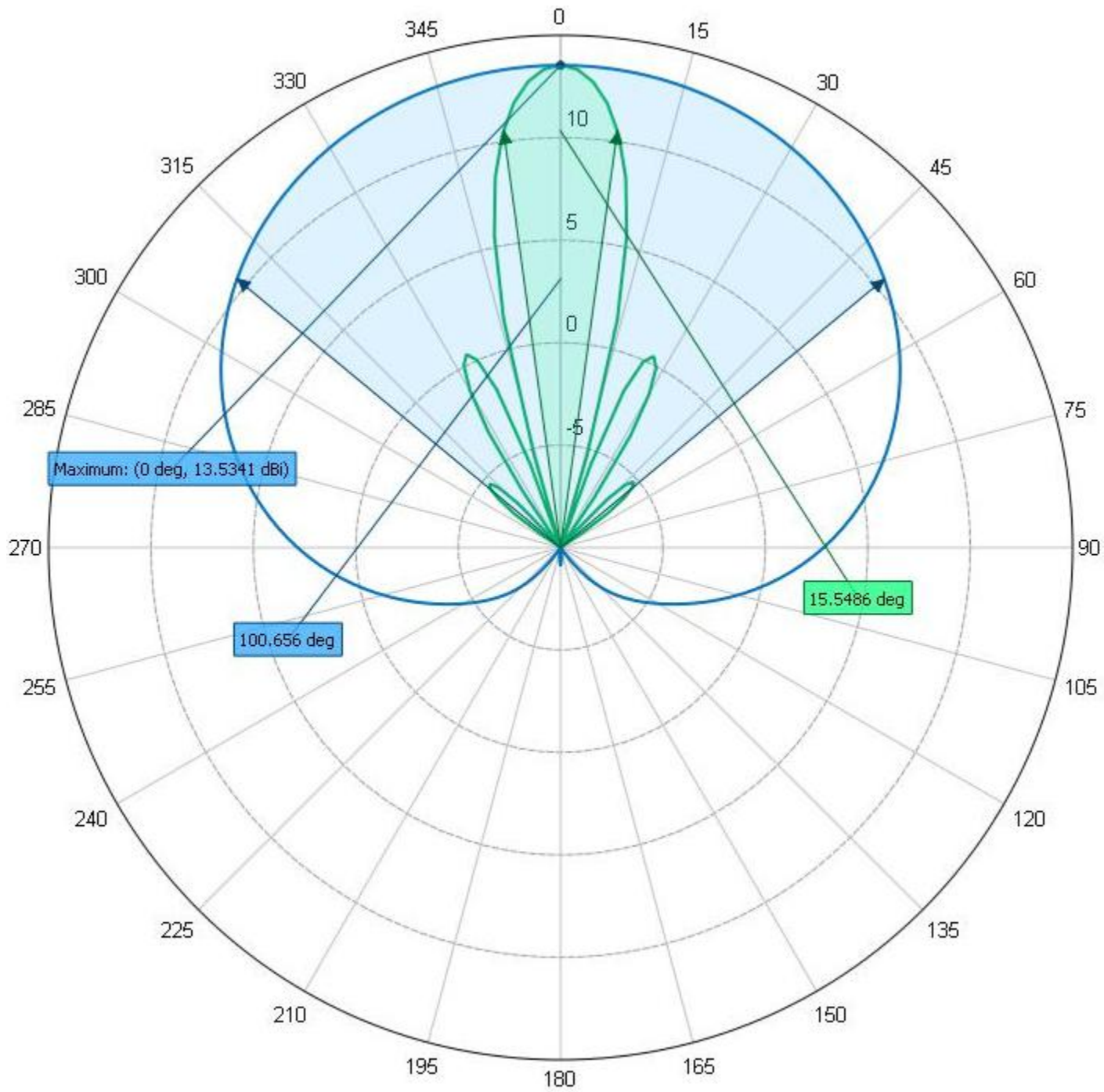
- Wide Beamwidth (azimuth)
- 6.475 - 7.125 GHz
- 13.5 dBi Gain
- ROHS Compliant
- Universal Mounting Adapter
- Can be used with customer-provided Block Downconverter (not included)



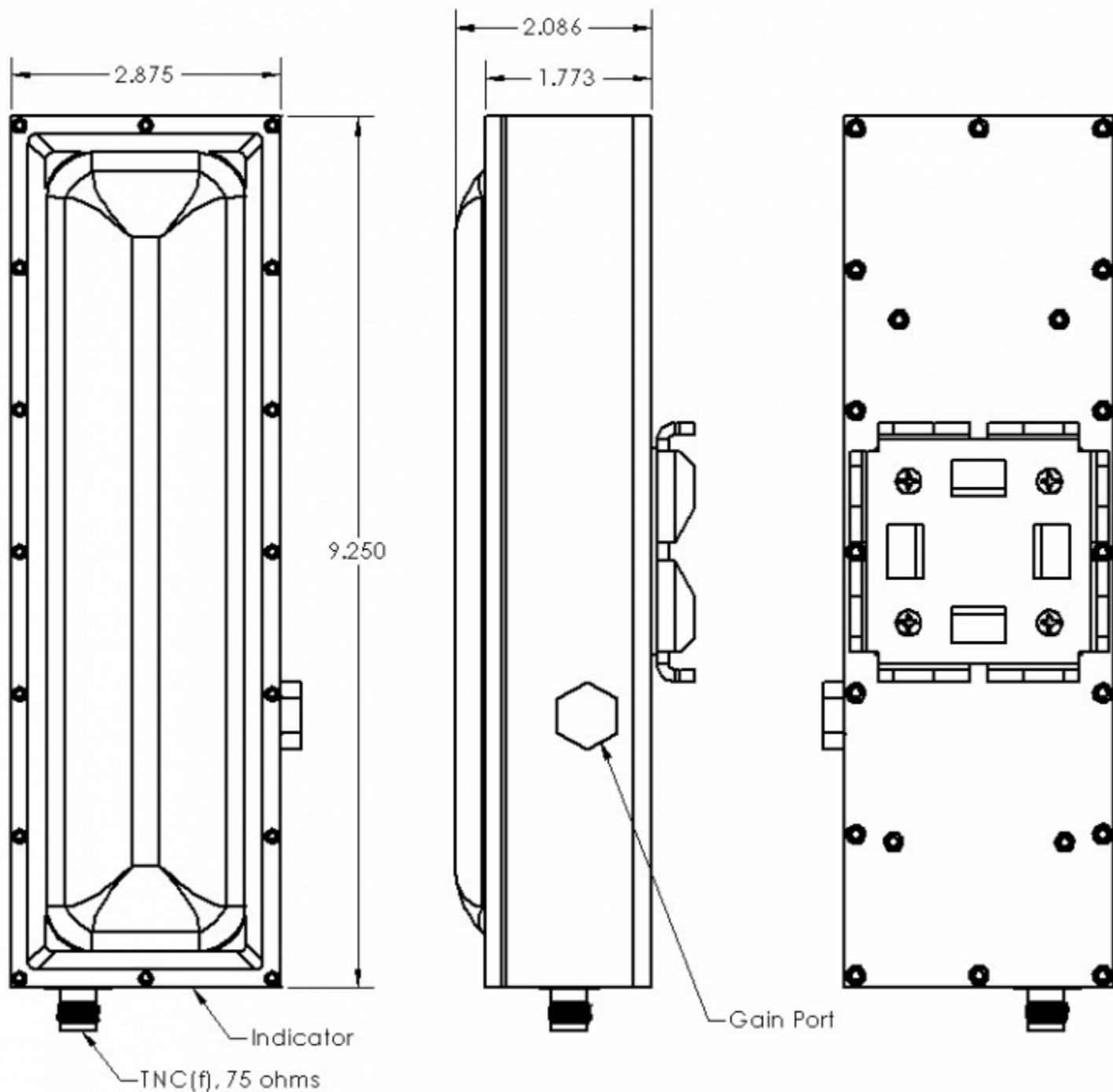
**Antenna Specifications**

Parameter	Value	Units	Tolerance
<b>Antenna Pattern</b>	Directional Antenna		
<b>Frequency Band</b>	C		
<b>Impedance</b>	50	Ohms	
<b>Minimum Frequency</b>	6.425 / 6,425	GHz / MHz	
<b>Maximum Frequency</b>	7.125 / 7,125	GHz / MHz	
<b>Frequency Bandwidth</b>	0.7 / 700	GHz / MHz	
<b>Maximum Gain</b>	13.5	dBi	
<b>Polarization</b>	Vertical		
<b>Maximum RF Input Power</b>	12.5 - 24	VDC	
<b>Horizontal (AZ) Beamwidth</b>	90	Degrees	
<b>Vertical (EL) Beamwidth</b>	16	Degrees	
<b>Ground Plane Required</b>	No		

Parameter	Value	Units	Tolerance
<b>Color</b>	White		
<b>Mount Style</b>	Panel		
<b>Maximum Wind Velocity</b>	93 / 150	mph / kph	
<b>RF Connector Type</b>	TNC(f)		
<b>Product Length</b>	9.25 / 234.95	inches / mm	
<b>Product Width</b>	2.87 / 72.90	inches / mm	
<b>Product Height</b>	2.09 / 53.09	inches / mm	



**Azimuth Pattern**



**Engineering Drawing**

Dimensions are in inches