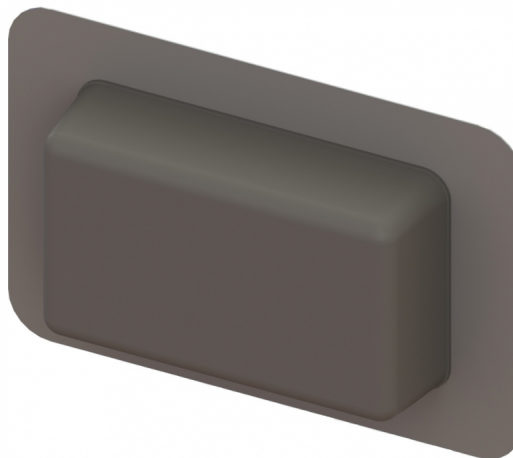


**Features:**

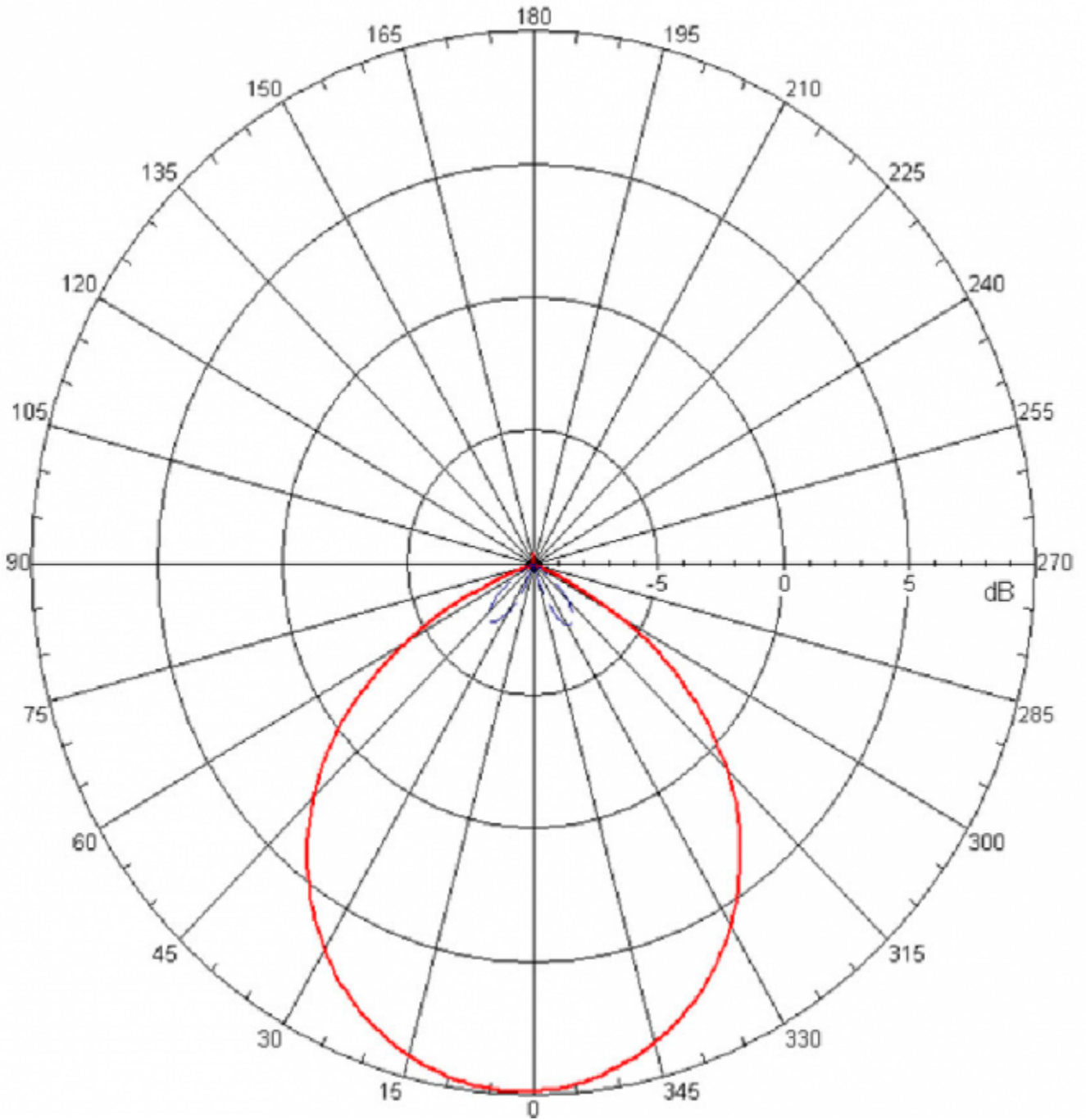
- Broad Band Coverage
- 350 - 550 MHz
- 9 dBi
- Pewter Gray Radome
- Designed for UHF Band communication in the following markets:
  - Law Enforcement
  - Military / Defense
  - Surveillance
  - UAV & UGV Ground Stations



**Antenna Specifications**

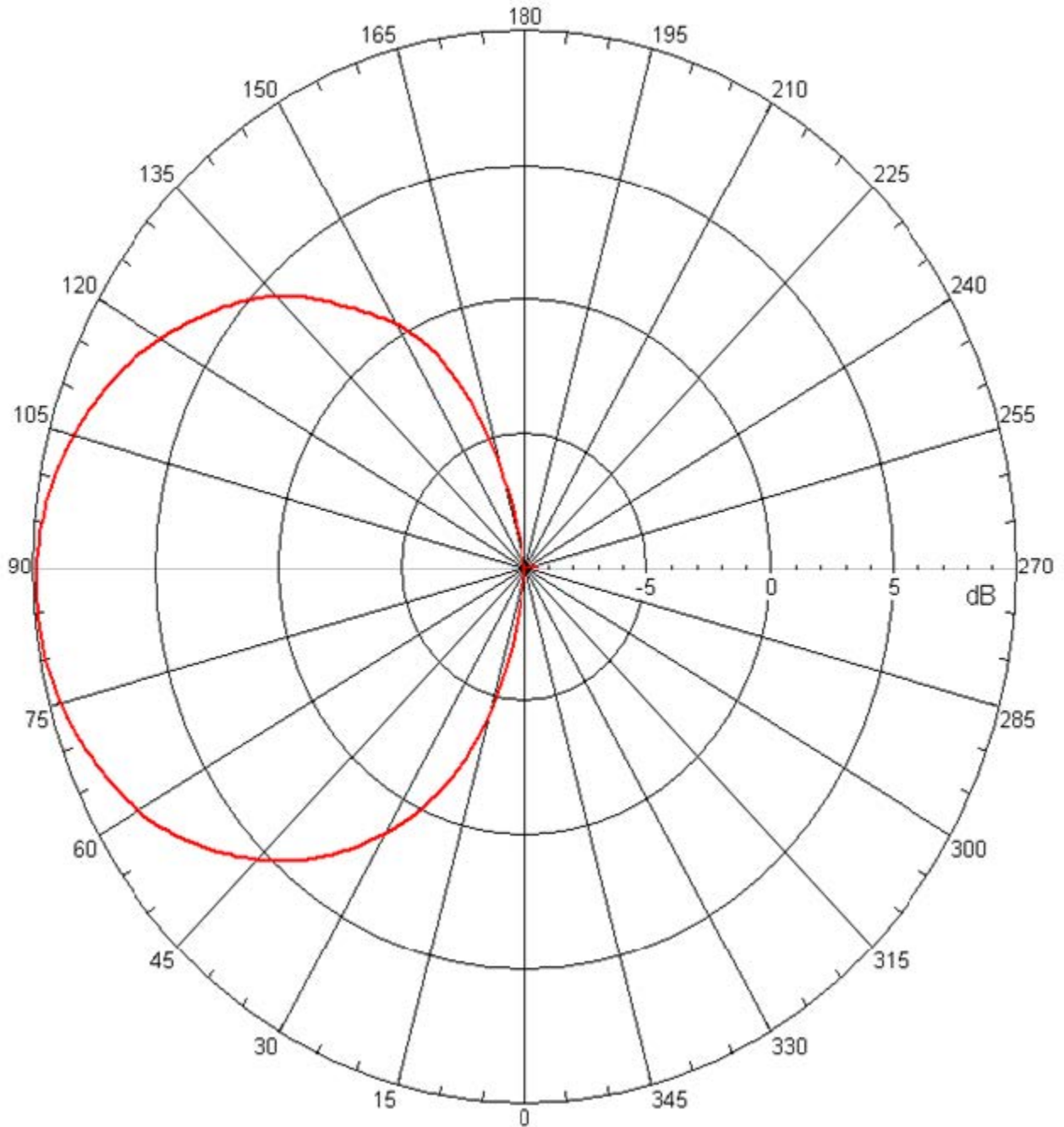
Parameter	Value	Units	Tolerance
Antenna Pattern	Directional Antenna		
Frequency Band	UHF		
Impedance	50	Ohms	
Minimum Frequency	0.35 / 350	GHz / MHz	
Maximum Frequency	0.55 / 550	GHz / MHz	
Frequency Bandwidth	0.2 / 200	GHz / MHz	
Maximum VSWR	2.0:1	Ratio	
Maximum Gain	9	dBi	
Polarization	Vertical		
Maximum RF Input Power	100	Watts	
Horizontal (AZ) Beamwidth	55	Degrees	
Vertical (EL) Beamwidth	65	Degrees	

Parameter	Value	Units	Tolerance
<b>Ground Plane Required</b>	No		
<b>Color</b>	Grey		
<b>Mount Style</b>	Panel		
<b>Maximum Wind Velocity</b>	99 / 160	mph / kph	When properly mounted
<b>RF Connector Type</b>	Type-N(f)		
<b>Product Length</b>	19.460 / 494.284	inches / mm	±.13"
<b>Product Width</b>	29.190 / 741.426	inches / mm	±.13"
<b>Product Height</b>	5.690 / 144.526	inches / mm	±.13"
<b>Product Weight</b>	11.00 / 4.99	lbs / kg	Oz



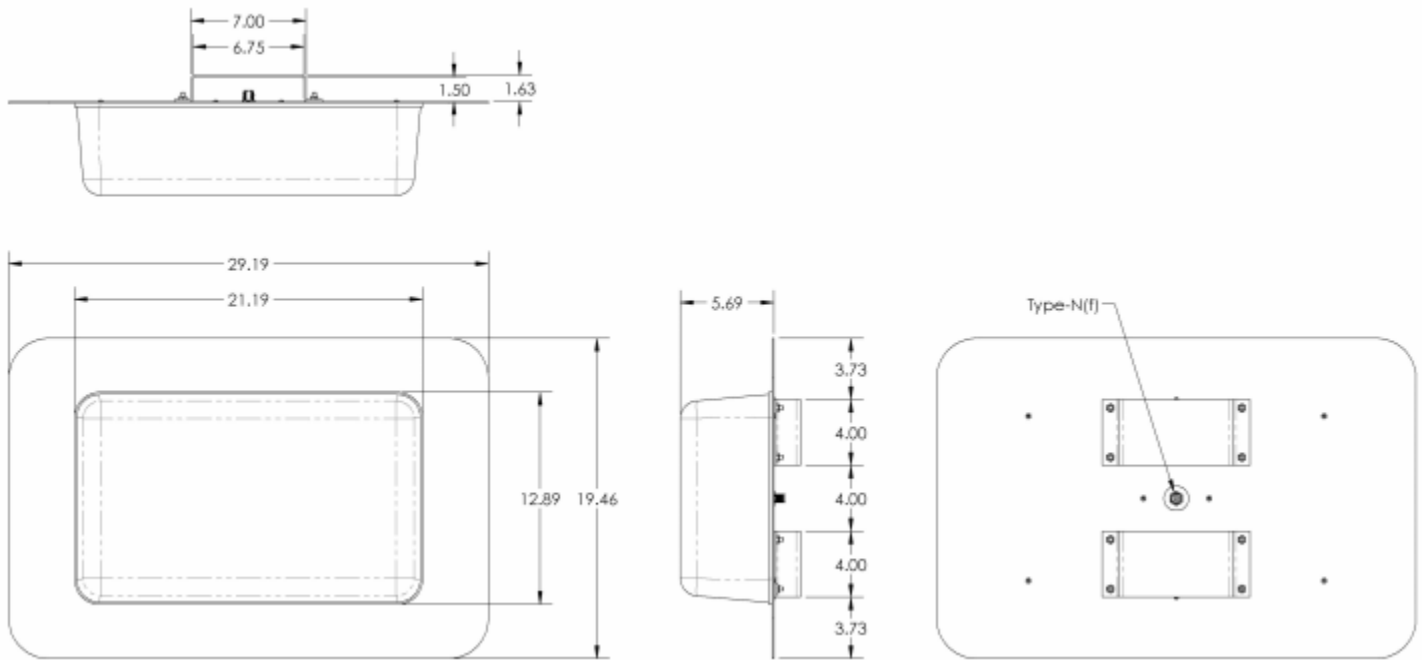
**Azimuth Pattern**

Referenced to 10 dBi



**Elevation Pattern**

Referenced to 10 dBi



### Engineering Drawing

All dimensions are in inches