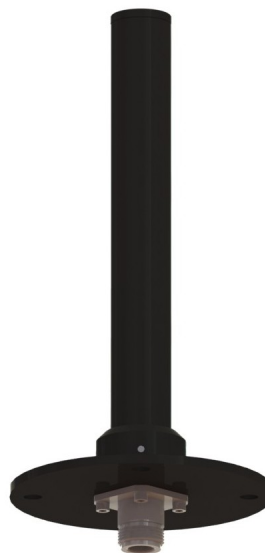


Features:

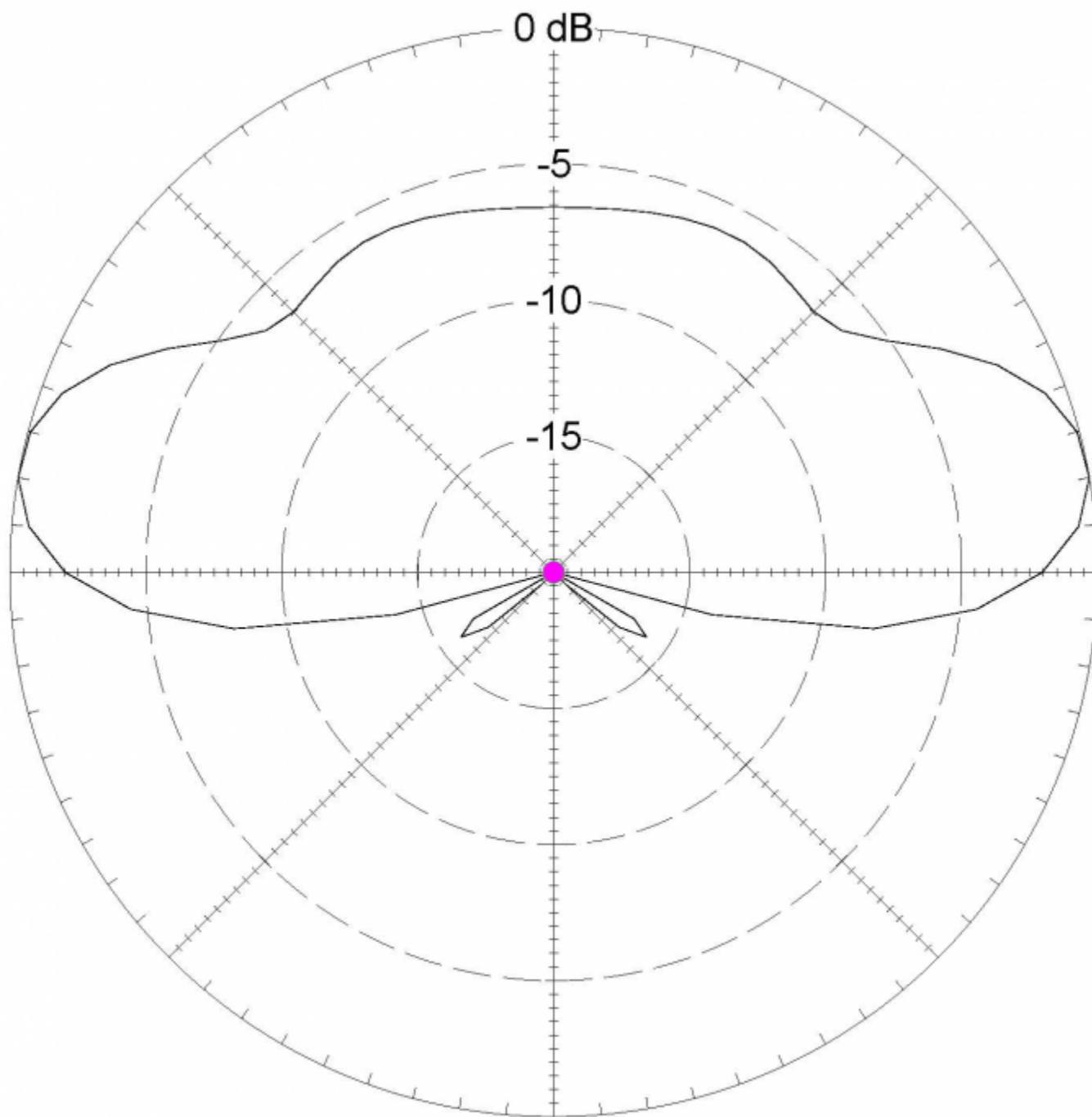
- Broad Band Coverage
- 4.6 - 4.8 GHz
- RHCP
- 4 dBic Omni Radiation Pattern
- 20W Power Handling
- 3T "3 Turn"
- Pitch: 60.3%
- Rugged G10 Radome
- Flange Mount Base



Antenna Specifications

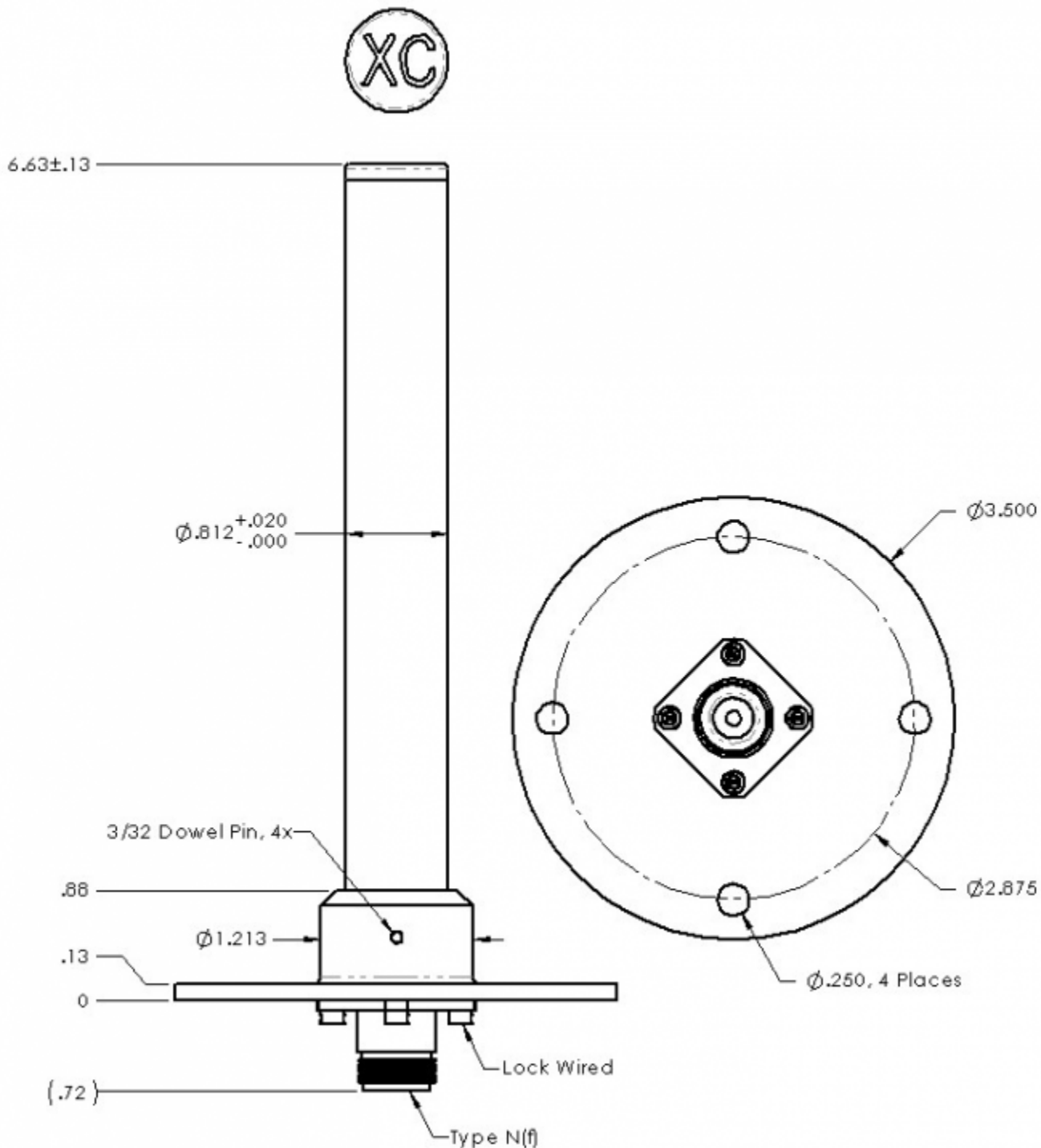
Parameter	Value	Units	Tolerance
Antenna Pattern	Omni Antenna		
Frequency Band	C		
Impedance	50	Ohms	
Minimum Frequency	4.6 / 4,600	GHz / MHz	
Maximum Frequency	4.8 / 4,800	GHz / MHz	
Frequency Bandwidth	0.2 / 200	GHz / MHz	
Maximum VSWR	2:1	Ratio	
Maximum Gain	4.00	dBic	
Maximum RF Input Power	20	Watts	
Horizontal (AZ) Beamwidth	360	Degrees	
Vertical (EL) Beamwidth	30	Degrees	
Ground Plane Required	No		

Parameter	Value	Units	Tolerance
Radome Material	G10 Fiberglass		
Color	Black		
Mount Style	Flange Mount		
Mount Diameter	3.50 / 88.90	inches / mm	
Maximum Wind Velocity	124 / 200	mph / kph	
RF Connector Type	Type-N(f)		
Product Height	6.63 / 168.28	inches / mm	0.125"
Product Diameter	0.81 / 20.57	inches / mm	+0.02" / -.000"
Product Weight	6.0 / 170.1	oz / grams	



Elevation Pattern

referenced to 4 dBic



Engineering Drawing

Dimensions are in inches