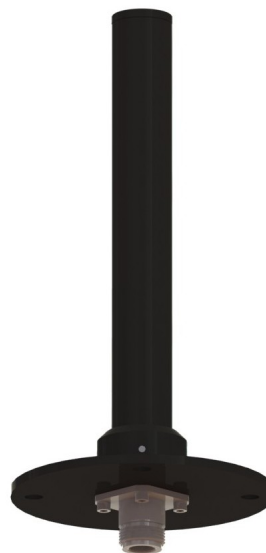


**Features:**

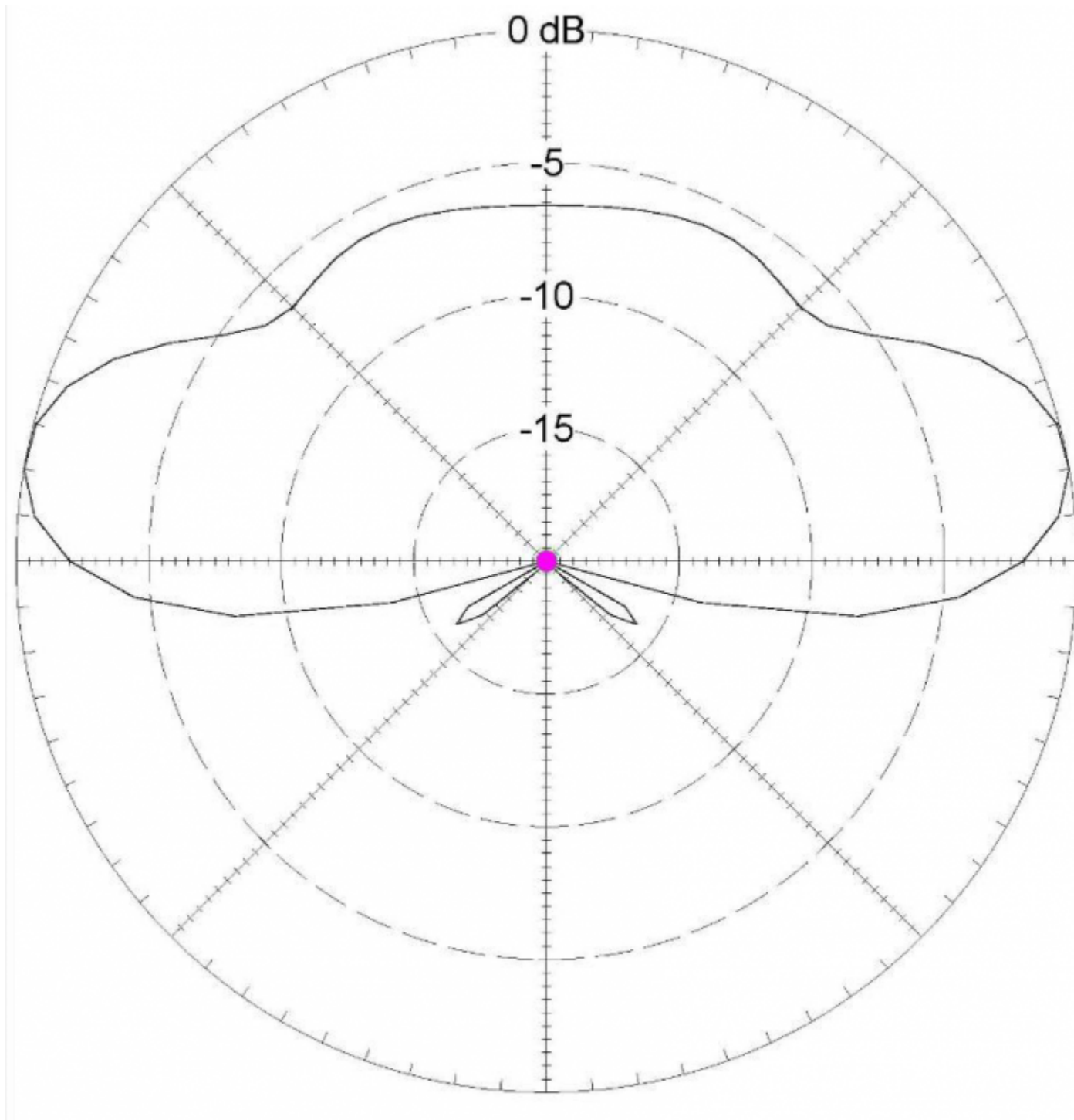
- Broad Band Coverage
- 4.4 - 5.0 GHz
- RHCP
- 4.0 dBic Omni Radiation Pattern
- 20W Power Handling
- 3T "3 Turn"
- Pitch: 60.3%
- Rugged G10 Radome
- Flange Mount Base



**Antenna Specifications**

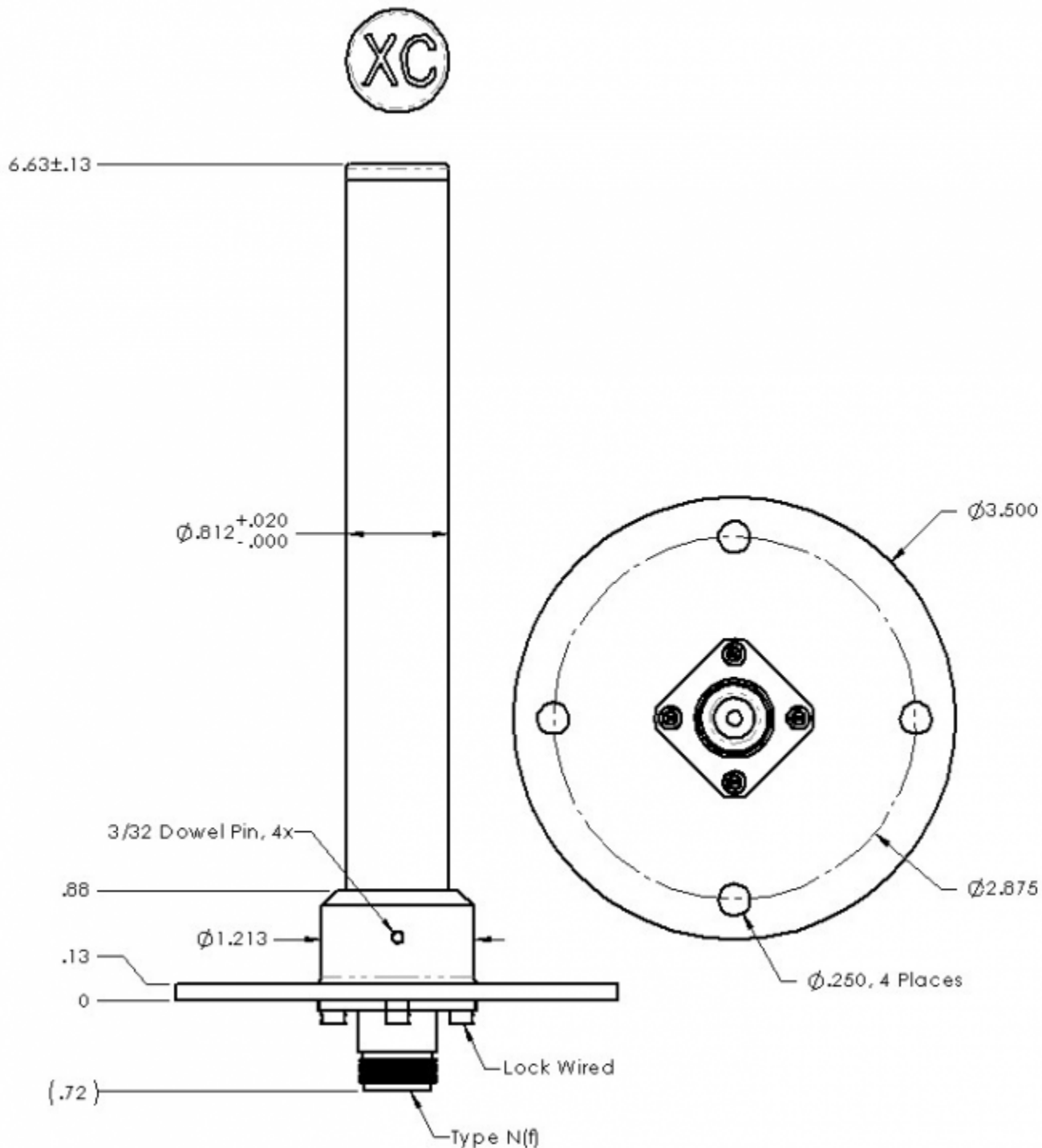
Parameter	Value	Units	Tolerance
<b>Antenna Pattern</b>	Omni Antenna		
<b>Frequency Band</b>	C		
<b>Impedance</b>	50	Ohms	
<b>Minimum Frequency</b>	4.4 / 4,400	GHz / MHz	
<b>Maximum Frequency</b>	5.0 / 5,000	GHz / MHz	
<b>Frequency Bandwidth</b>	0.6 / 600	GHz / MHz	
<b>Maximum VSWR</b>	2:1	Ratio	
<b>Maximum Gain</b>	4.00	dBic	
<b>Maximum RF Input Power</b>	20	Watts	
<b>Horizontal (AZ) Beamwidth</b>	360	Degrees	
<b>Vertical (EL) Beamwidth</b>	30	Degrees	
<b>Ground Plane Required</b>	No		

Parameter	Value	Units	Tolerance
<b>Color</b>	Black		
<b>Mount Style</b>	Flange Mount		
<b>Mount Diameter</b>	3.50 / 88.90	inches / mm	
<b>Maximum Wind Velocity</b>	124 / 200	mph / kph	
<b>RF Connector Type</b>	Type-N(f)		
<b>Product Height</b>	6.63 / 168.40	inches / mm	±0.13"
<b>Product Diameter</b>	0.81 / 20.62	inches / mm	+0.02" / -.000"
<b>Product Weight</b>	6.0 / 170.1	oz / grams	



**Elevation Pattern**

referenced to 4 dBic



**Engineering Drawing**

Dimensions are in inches