

Features:

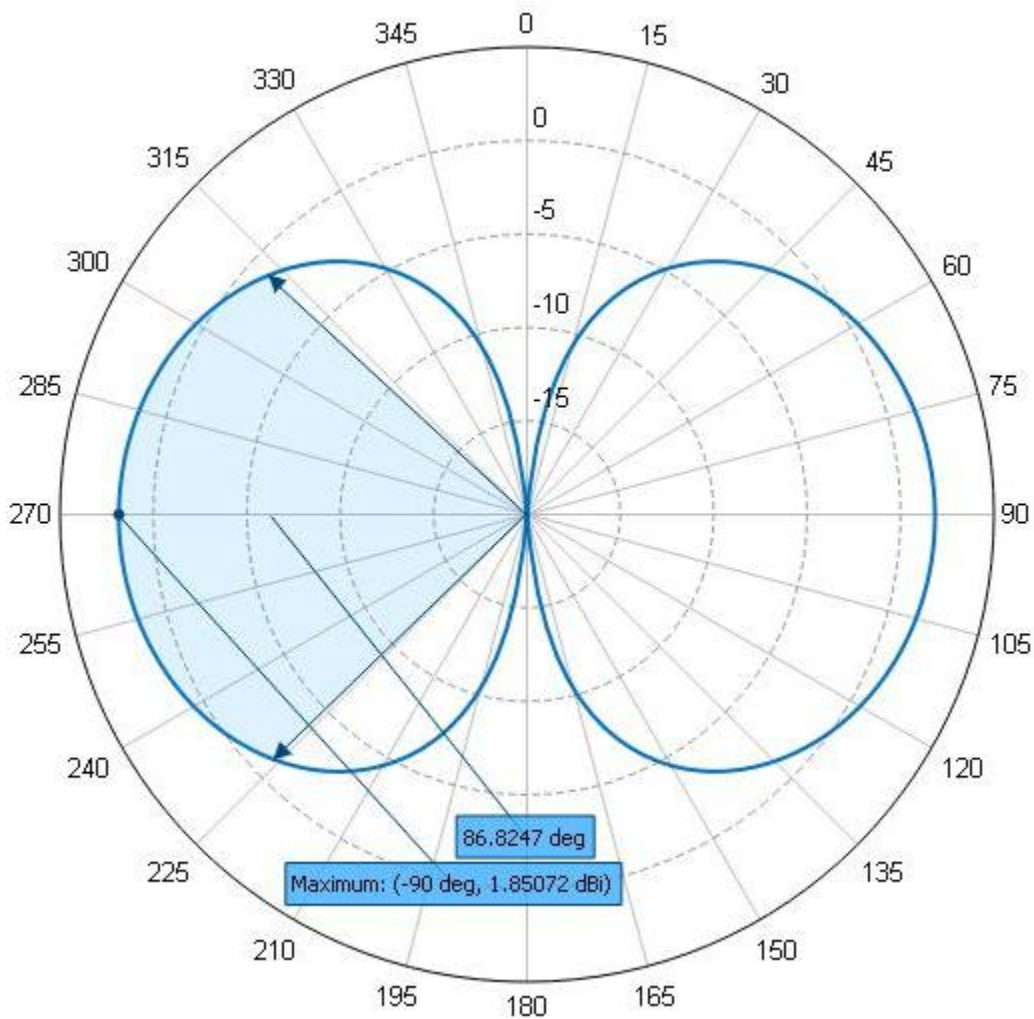
- Broad Band Coverage
- 1.7 - 2.5 GHz
- 1.85 dBi Omni Radiation Pattern
- Low Profile
- White Radome
- Counterpoise Independent
- High Efficiency



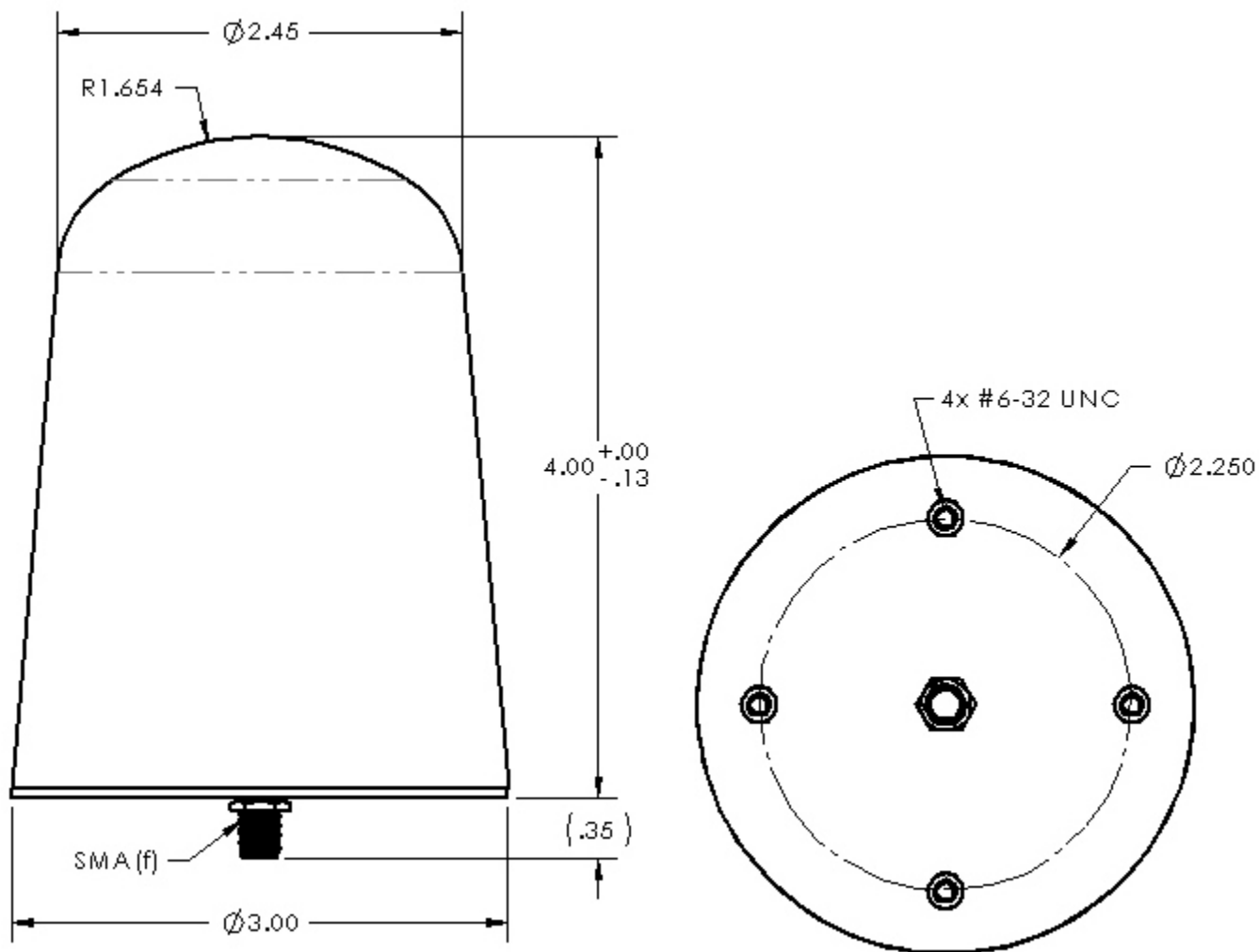
Antenna Specifications

Parameter	Value	Units	Tolerance
Antenna Pattern	Omni Antenna		
Frequency Band	L & S		
Impedance	50	Ohms	
Minimum Frequency	1.7 / 1,700	GHz / MHz	
Maximum Frequency	2.5 / 2,500	GHz / MHz	
Frequency Bandwidth	0.8 / 800	GHz / MHz	
Maximum VSWR	2:1	Ratio	
Maximum Gain	1.85	dBi	
Polarization	Vertical		
Maximum RF Input Power		Watts	
Horizontal (AZ) Beamwidth	360	Degrees	
Vertical (EL) Beamwidth	87	Degrees	

Parameter	Value	Units	Tolerance
Ground Plane Required	No		
Color	White		
Maximum Wind Velocity	155 / 250	mph / kph	
RF Connector Type	SMA(f)		
Product Height	4.35	Inches+0.00" / -0.13"	Inches
Product Diameter	3.00 / 76.20	inches / mm	
Product Weight	5.2 / 147.4	oz / grams	



Elevation Pattern



Engineering Drawing

Dimensions are in inches