

Features:

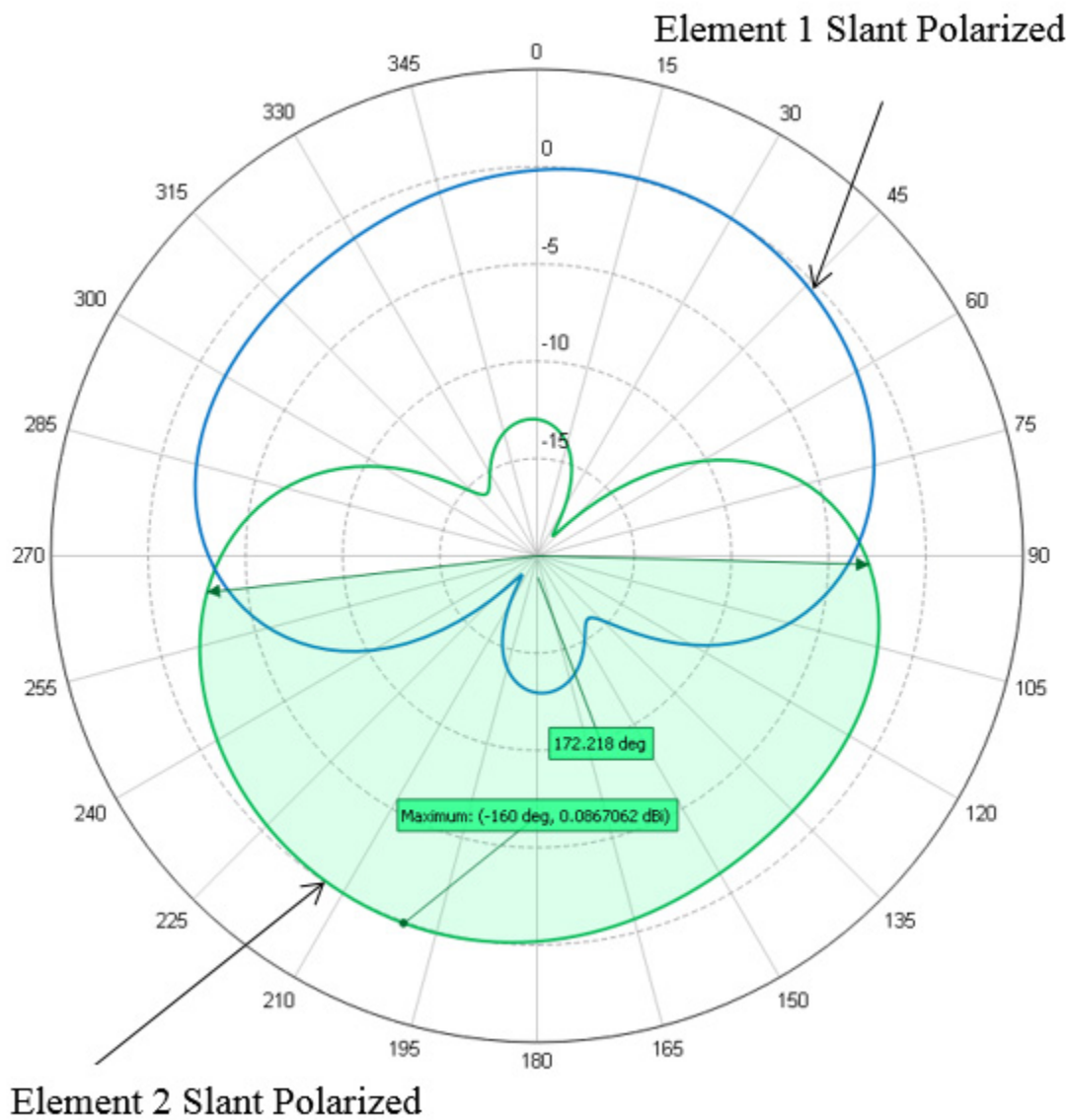
- 2-Input MIMO Antenna
 - 1 each, 45° Slant Right
 - 1 each, 45° Slant Left
- 2.1 - 2.5 GHz
- 2.9 dBi Gain
- White Radome
- 2x SMA(f) RF Connectors

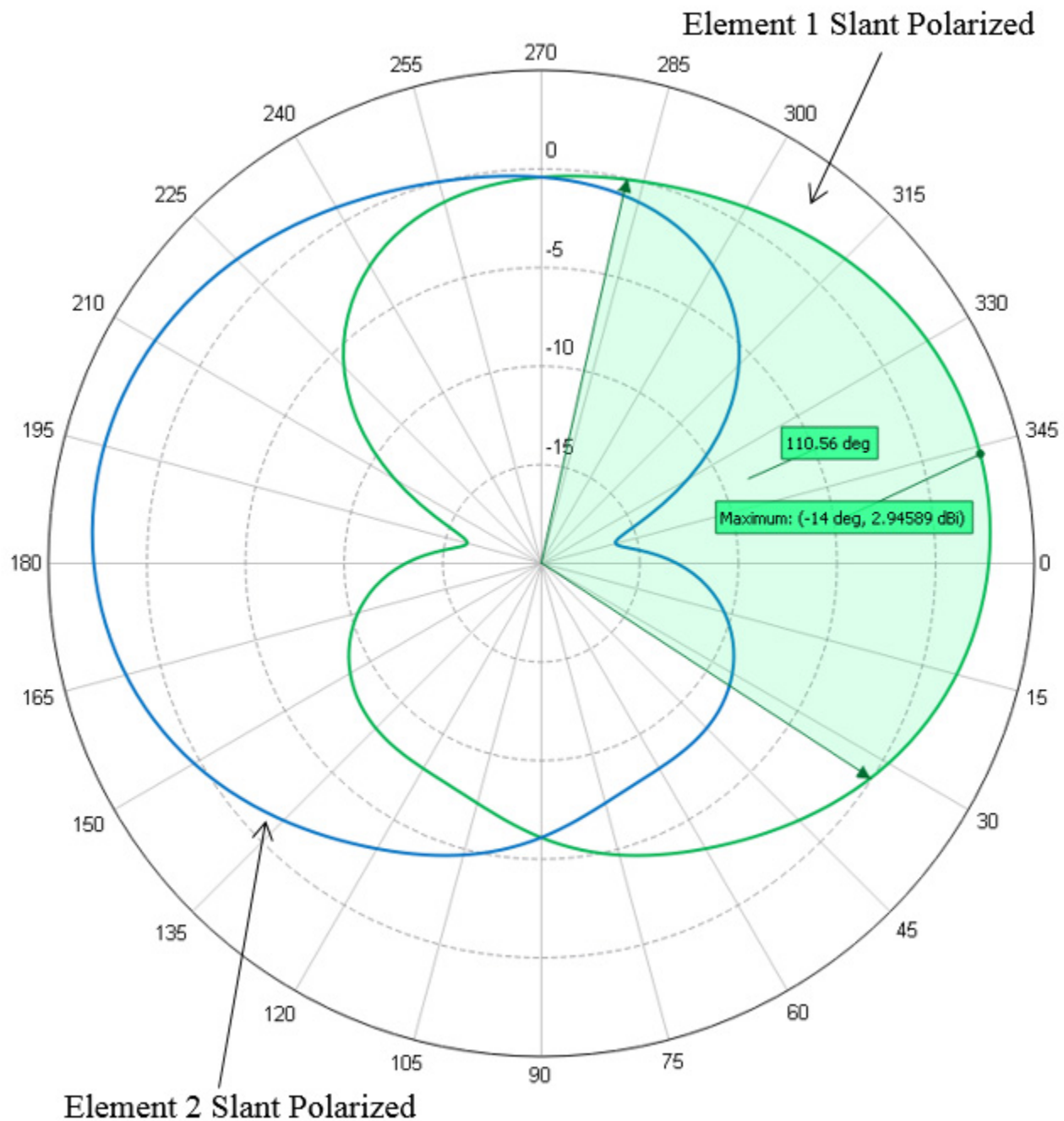


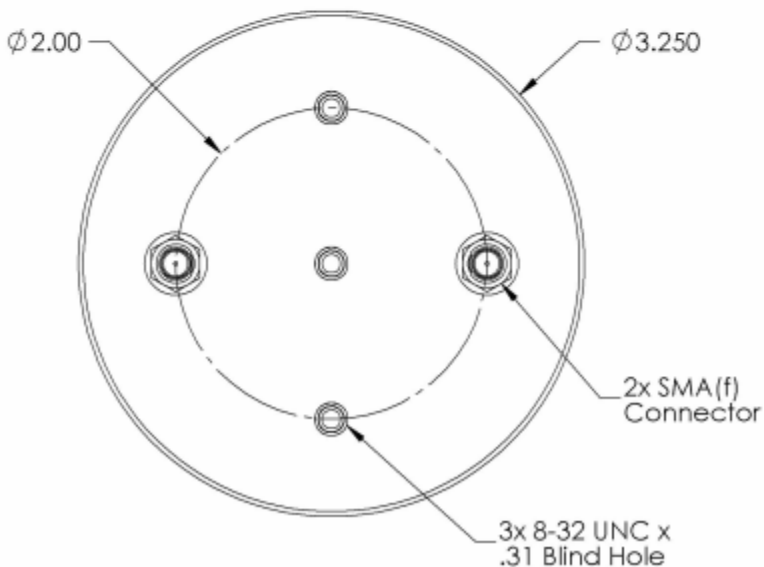
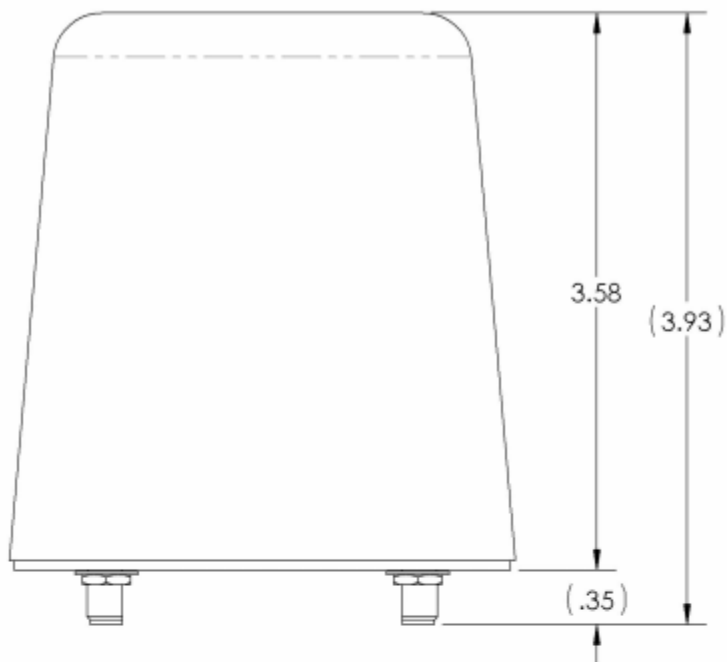
Antenna Specifications

Parameter	Value	Units	Tolerance
Antenna Pattern	Omni Antenna		
Frequency Band	S		
Impedance	50	Ohms	
Minimum Frequency	2.1 / 2,100	GHz / MHz	
Maximum Frequency	2.5 / 2,500	GHz / MHz	
Frequency Bandwidth	0.4 / 400	GHz / MHz	
Maximum VSWR	2:1	Ratio	
Maximum Gain	2.9	dBi	
Maximum RF Input Power	50	Watts	Per Port
Horizontal (AZ) Beamwidth	360	Degrees	
Vertical (EL) Beamwidth	100	Degrees	
Ground Plane Required	No		

Parameter	Value	Units	Tolerance
Color	White		
Maximum Wind Velocity	124 / 200	mph / kph	
RF Connector Type	SMA(f)		
Product Height	3.58 / 90.93	inches / mm	+0.63" not including connector height
Product Diameter	3.25 / 82.55	inches / mm	+0.02" / -.000"
Product Weight	3.7 / 106.0	oz / grams	







Engineering Drawing

Dimensions are in inches