

**Features:**

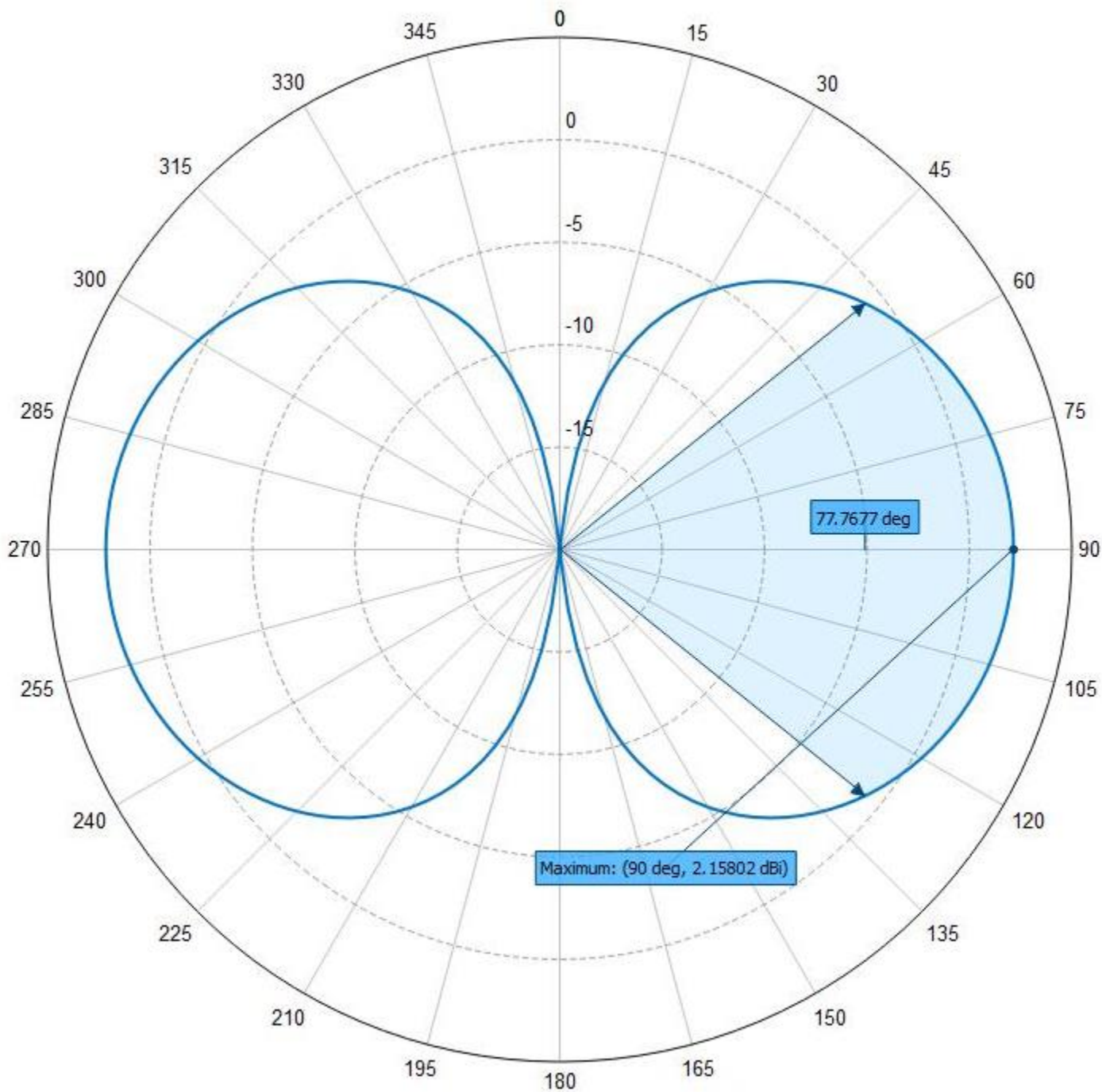
- Broad Band Coverage
- 4.4 - 5.0 GHz
- Half Wave Dipole
- 2.15 dBi Omni Radiation Pattern
- 50W Power Handling
- The connector should be torqued to 3 - 5 in-lbs maximum



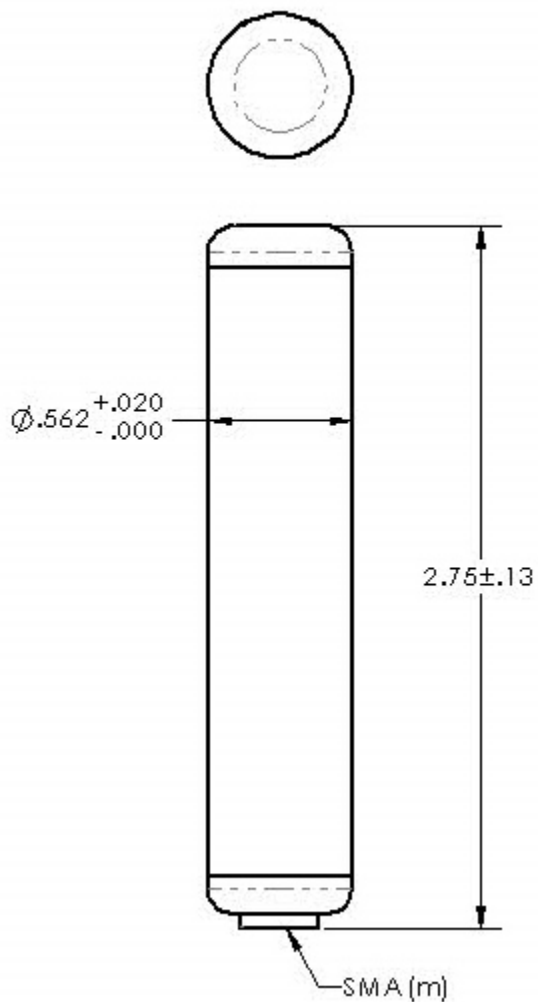
**Antenna Specifications**

Parameter	Value	Units	Tolerance
Antenna Pattern	Omni Antenna		
Frequency Band	C		
Impedance	50	Ohms	
Minimum Frequency	4.4 / 4,400	GHz / MHz	
Maximum Frequency	5.0 / 5,000	GHz / MHz	
Frequency Bandwidth	0.6 / 600	GHz / MHz	
Maximum VSWR	2:1	Ratio	
Maximum Gain	2.15	dBi	
Polarization	Vertical		
Maximum RF Input Power	50	Watts	
Horizontal (AZ) Beamwidth	360	Degrees	
Vertical (EL) Beamwidth	77	Degrees	

Parameter	Value	Units	Tolerance
<b>Ground Plane Required</b>	No		
<b>Color</b>	Flat Black		
<b>Maximum Wind Velocity</b>	124 / 200	mph / kph	
<b>RF Connector Type</b>	SMA(m)		
<b>Product Height</b>	2.75 / 69.85	inches / mm	±0.13"
<b>Product Diameter</b>	0.56 / 14.27	inches / mm	+0.20" / -.000"
<b>Product Weight</b>	0.6 / 15.9	oz / grams	



**Elevation Pattern**



**Engineering Drawing**

Dimensions are in inches