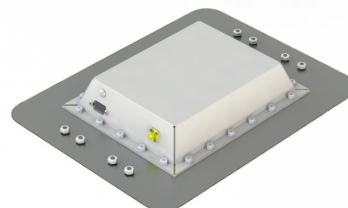


**Features:**

- Broad Band Coverage
- 1.3 - 1.6 GHz
- 12 dBi
- White Polycarbonate Radome
- Designed for L Band communication in the following markets:
  - Law Enforcement
  - Surveillance
  - UAV & UGV Ground Stations

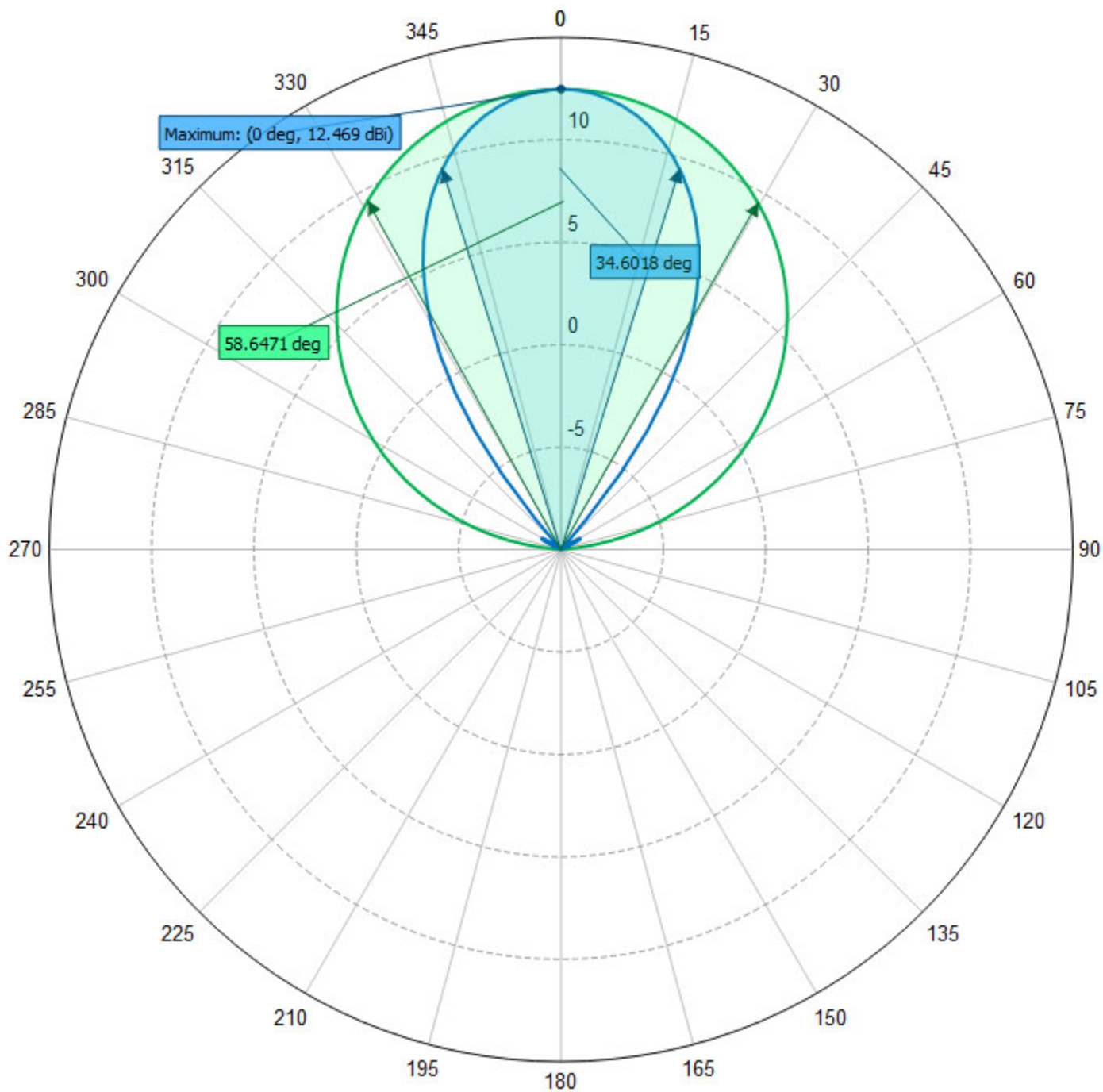


**Note:** Part # 1055-408 is designed to accept a customer-specified filter inside the antenna, installed behind the back panel. Please contact Southwest Antennas regarding this feature.

**Antenna Specifications**

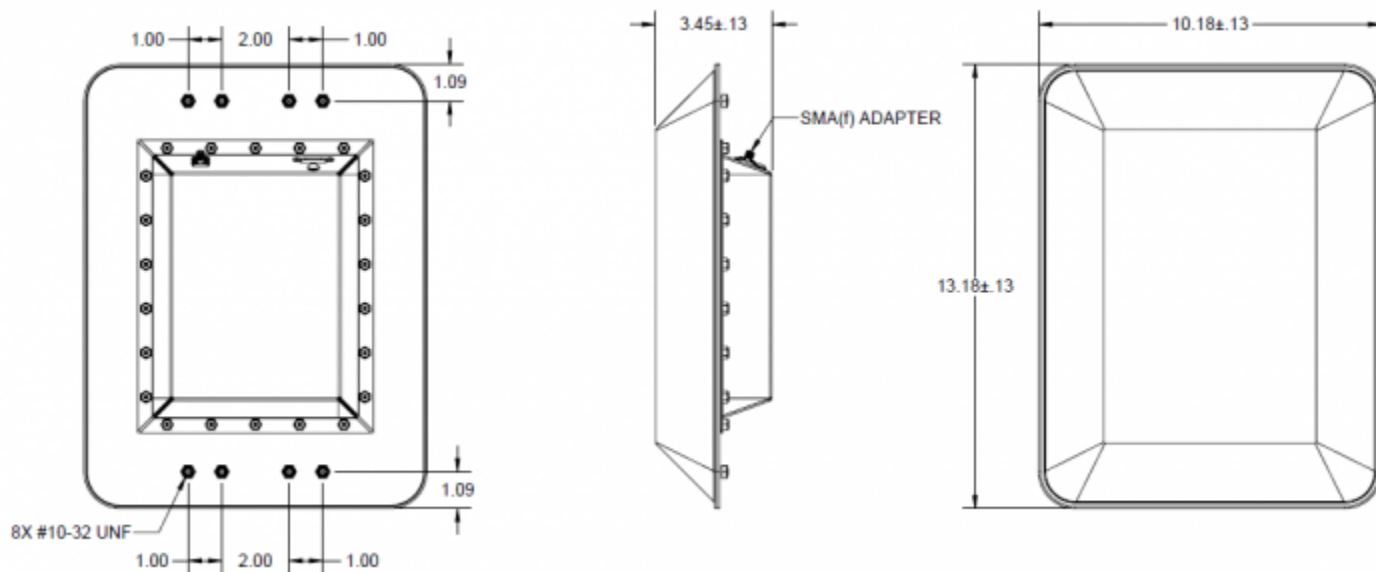
Parameter	Value	Units	Tolerance
<b>Antenna Pattern</b>	Directional Antenna		
<b>Frequency Band</b>	L		
<b>Impedance</b>	50	Ohms	
<b>Minimum Frequency</b>	1.3 / 1,300	GHz / MHz	
<b>Maximum Frequency</b>	1.6 / 1,600	GHz / MHz	
<b>Frequency Bandwidth</b>	0.3 / 300	GHz / MHz	
<b>Maximum VSWR</b>	1.5:1	Ratio	
<b>Maximum Gain</b>	12	dBi	
<b>Polarization</b>	Vertical		
<b>Maximum RF Input Power</b>	50	Watts	
<b>Horizontal (AZ) Beamwidth</b>	58	Degrees	
<b>Vertical (EL) Beamwidth</b>	34	Degrees	

Parameter	Value	Units	Tolerance
<b>Ground Plane Required</b>	No		
<b>Radome Material</b>	Polycarbonate		
<b>Color</b>	White		
<b>Mount Style</b>	Panel		
<b>Maximum Wind Velocity</b>	100 / 161	mph / kph	
<b>RF Connector Type</b>	SMA(f)		
<b>Operating Temperature Range</b>	-40 to +85	C	
<b>Product Length</b>	13.18 / 334.77	inches / mm	±0.13"
<b>Product Width</b>	10.18 / 258.57	inches / mm	±0.13"
<b>Product Height</b>	3.45 / 87.63	inches / mm	±0.13"
<b>Product Weight</b>	16.0 / 453.6	oz / grams	Oz



**Azimuth Pattern**

Referenced to +15dbi



**Engineering Drawing**