

Overview

Southwest Antennas Part # 1066-055 is a 4G LTE Cellular Omni Concealment Antenna was designed for use in covert surveillance operations, antenna concealment devices, or any application where discreet antenna placement is needed. Measuring only 4.70" x 1.70" and weighing less than one ounce, the 4G LTE Cellular Omni Concealment Antenna is easy to integrate into small devices or spaces without clearance for larger antennas and is specially tuned for concealment material substrates

The penta-band design gives the 4G LTE Cellular Omni Concealment Antenna coverage across all 4G LTE bands, allowing for both domestic and international use. A miniature low loss RF cable and SMA Male connector allow for flexible connection options.

Part # 1066-055 features two feet of miniature low-loss RF cable with a rotating SMA(m) RF connector.

Features:

- Markets and applications include:
 - Military/Defense
 - Law Enforcement
 - Surveillance
 - Security
 - Commercial Wireless
- Extremely light weight
- Easily concealed
- RG-316 RF cable
- Rotating SMA(m) RF connector
- Designed for use inside concealments
- Specially tuned for concealment material substrates
- Penta-band: covers all 4G LTE Cellular bands
- Easily attaches to surfaces with velcro dots



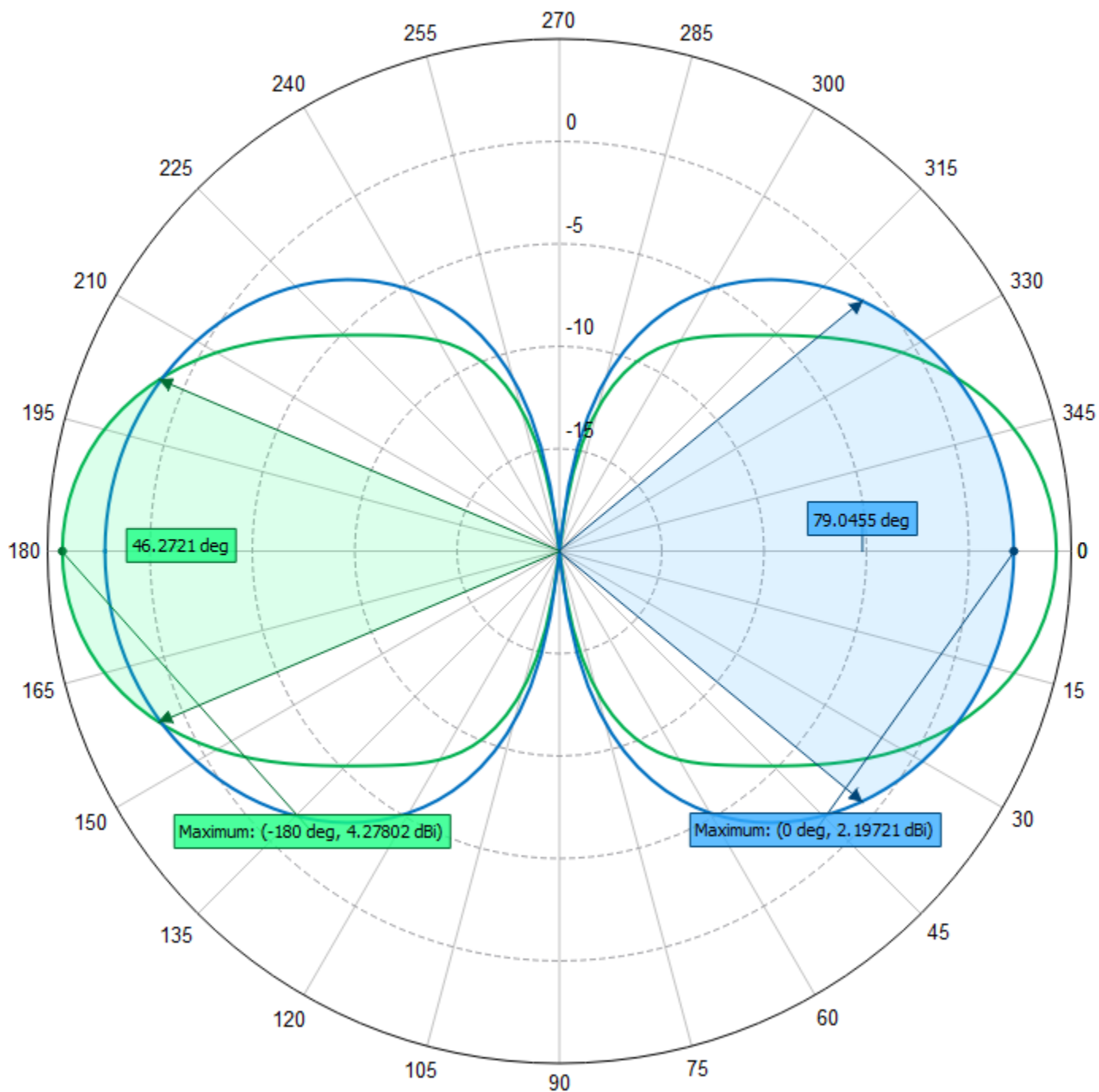
Antenna Specifications

Parameter	Value	Units	Tolerance
Antenna Pattern	Omni Antenna		
Frequency Range 1	0.7 – 0.96 698 – 960	GHz MHz	
Frequency Range 2	1.71 – 3.0 1,710 – 3,000	GHz MHz	
Maximum VSWR	2.0:1	Ratio	
Maximum Gain	2.2	dBi	
Polarization	Vertical		
Maximum RF Input Power	1	Watt	
Low Band Horizontal (AZ) Beamwidth	360	Degrees	
High Band Horizontal (AZ) Beamwidth	360	Degrees	
Low Band Vertical (EL) Beamwidth	76	Degrees	
High Band Vertical (EL) Beamwidth	46	Degrees	
Ground Plane Required	No		
Radome Material	No radome; PCB antenna		
Mount Style	2x velcro dots on back side of antenna		
RF Connector Type	SMA(m)		
RF Cable Type	RG-316		
RF Cable Length	24.00 / 609.60	inches / mm	
Operating Temperature Range	-40 to +85	C	



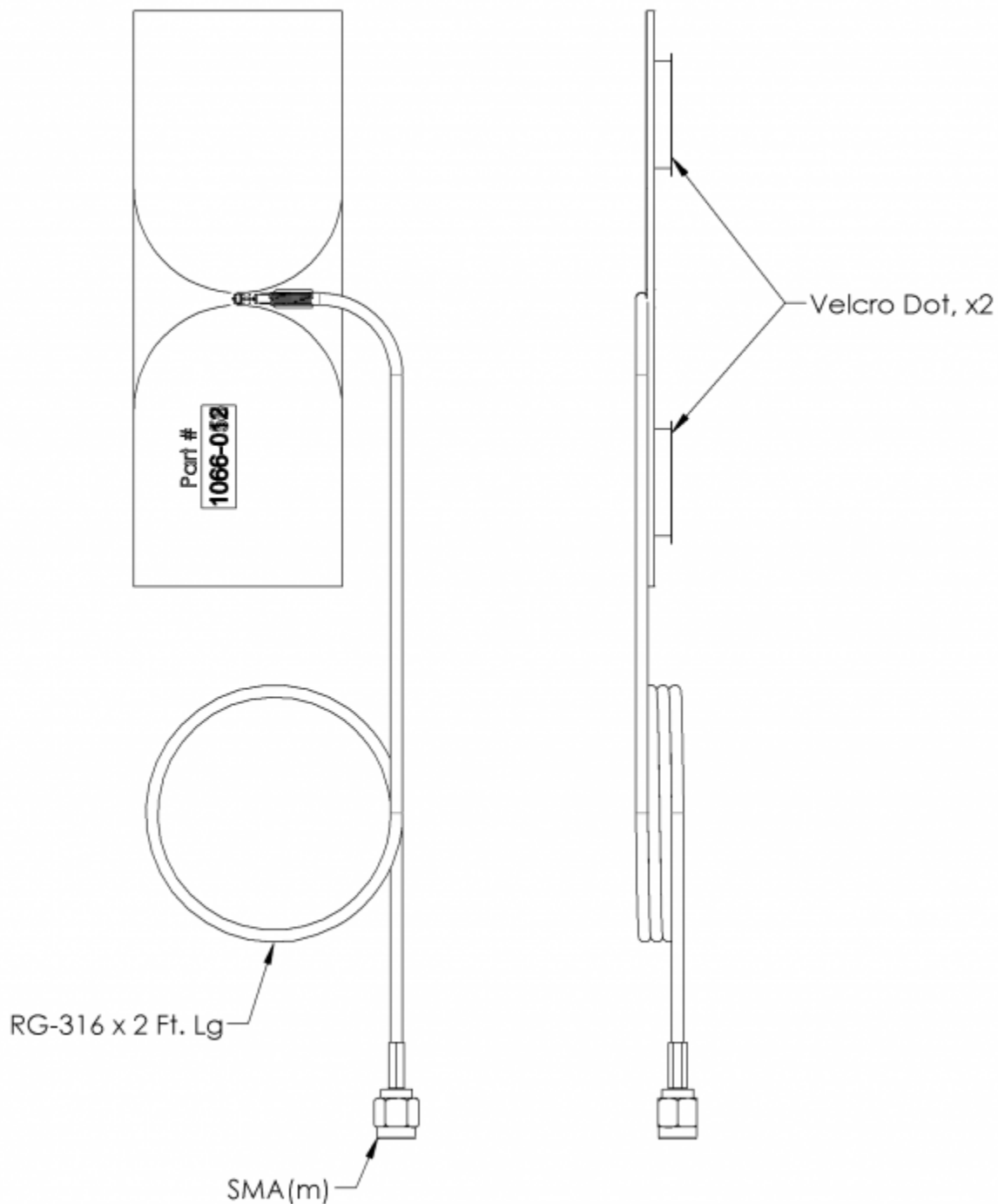
Part # 1066-055
4G LTE Cellular Omni Concealment Antenna, 698 MHz - 960 MHz / 1,710 MHz - 3,000 MHz, 2.2 dBi

Parameter	Value	Units	Tolerance
Product Length	4.70 / 119.38	inches / mm	
Product Width	1.70 / 43.18	inches / mm	
Product Height	0.06 / 1.57	inches / mm	
Product Weight	1.0 / 28.3	oz / grams	



Elevation Pattern

Referenced to 5dBi, Green = 1800 MHz, Blue = 800 MHz



Engineering Drawing

All dimensions are in inches