
PRELIMINARY

Overview

Southwest Antennas Part # 1004-033 is a directional panel antenna with an operational frequency range of 4.4 - 5.0 GHz, and a peak gain of 9 dBi. The antenna features a black kydex radome and is suitable for use in indoor or outdoor environments.

Note: This product includes a resistor providing the antenna with 10kOhm DC impedance and a maximum DC power of 0.25W

Features:

- Broad Band Coverage
- 4.4 - 5.0 GHz
- 9 dBi
- Internal 10kOhm Resistor
- Black Kydex Radome
- SMA(f) RF Connector
- Designed for C Band communication in the following markets:
 - Law Enforcement
 - Surveillance
 - UAV & UGV Ground Stations



PRELIMINARY

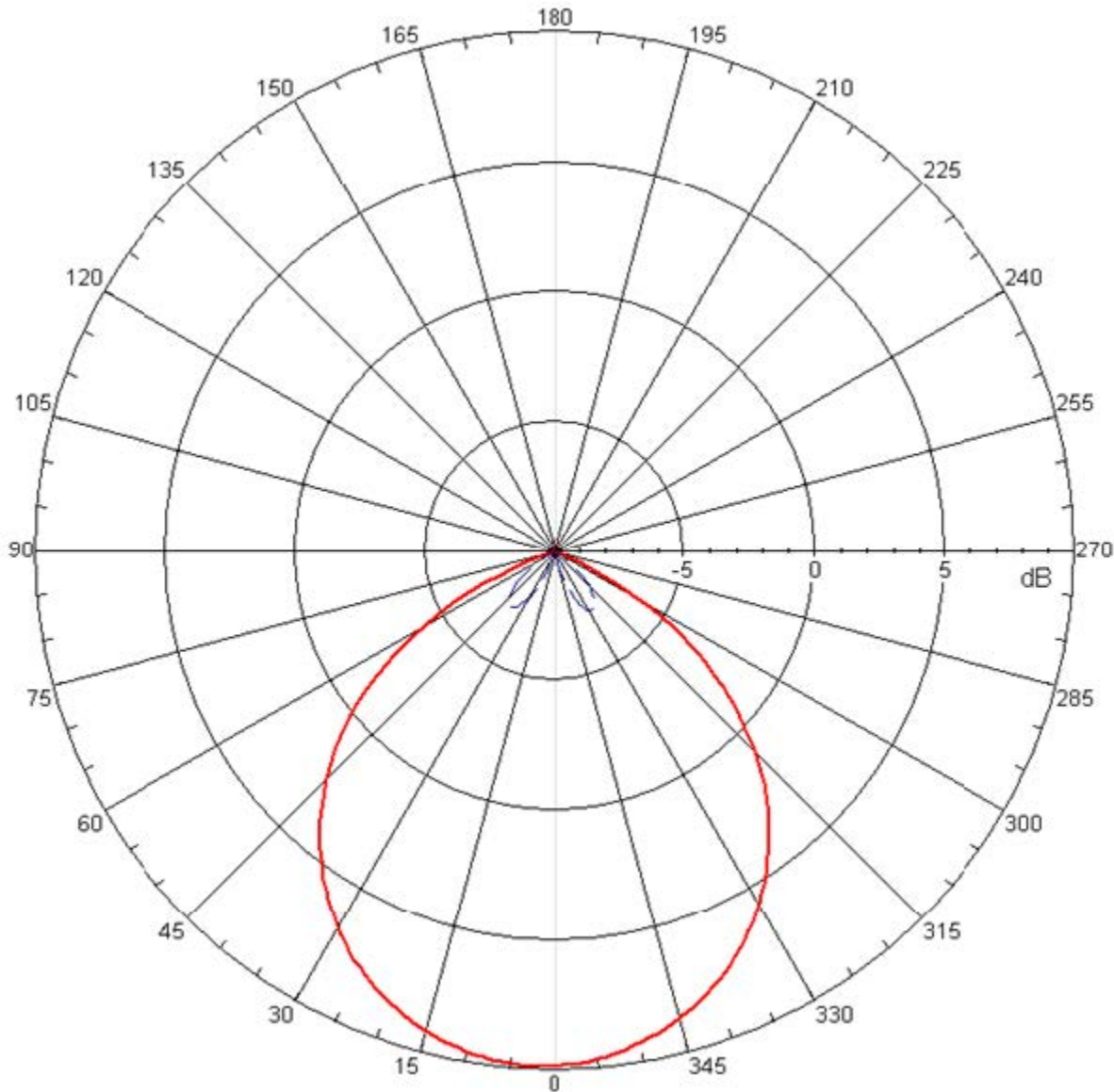
Antenna Specifications

Parameter	Value	Units	Tolerance
Antenna Pattern	Directional Antenna		
Frequency Band	C		
Impedance	50	Ohms	
Minimum Frequency	4.4 / 4,400	GHz / MHz	
Maximum Frequency	5.0 / 5,000	GHz / MHz	
Frequency Bandwidth	0.6 / 600	GHz / MHz	
Maximum VSWR	2.0:1	Ratio	
Maximum Gain	9	dBi	
Polarization	Vertical		
Maximum RF Input Power	100	Watts	
Horizontal (AZ) Beamwidth	55	Degrees	
Vertical (EL) Beamwidth	65	Degrees	
Ground Plane Required	No		
Radome Material	Kydex		
Color	Black		
Mount Style	2x Flush Head 6-32 UNC Studs, Set 2.5" Center to Center		
Maximum Wind Velocity	62 / 100	mph / kph	
RF Connector Type	SMA(f)		
Operating Temperature Range	-40 to +85	C	
Storage Temperature Range	-50 to +85	C	
Product Length	3.56 / 90.42	inches / mm	±.13"

PRELIMINARY

Parameter	Value	Units	Tolerance
Product Width	2.03 / 51.56	inches / mm	±.13"
Product Height	0.78 / 19.81	inches / mm	±.13"
Product Weight	3.0 / 85.0	oz / grams	

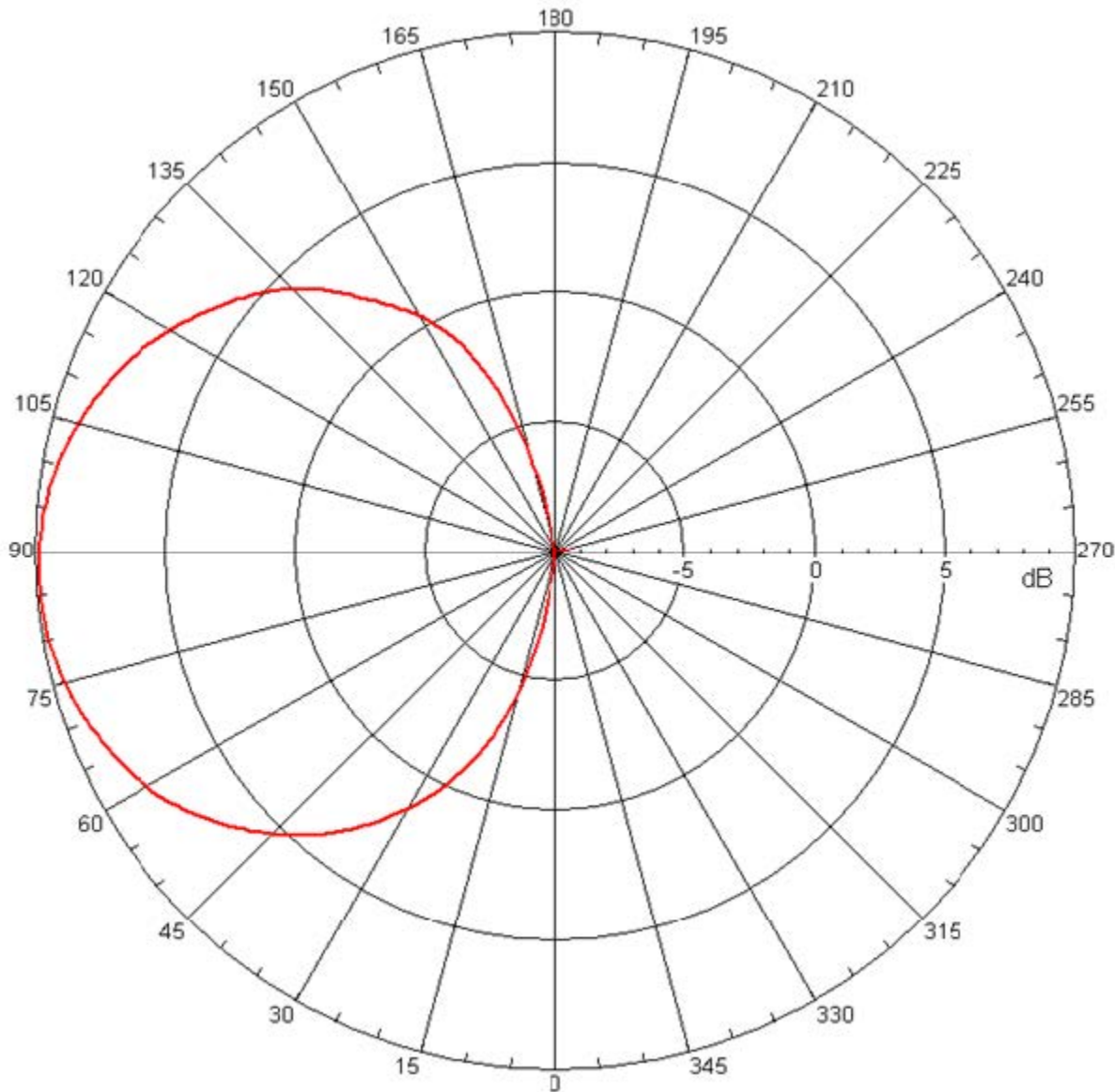
PRELIMINARY



Azimuth Pattern

Referenced to +10 dBi

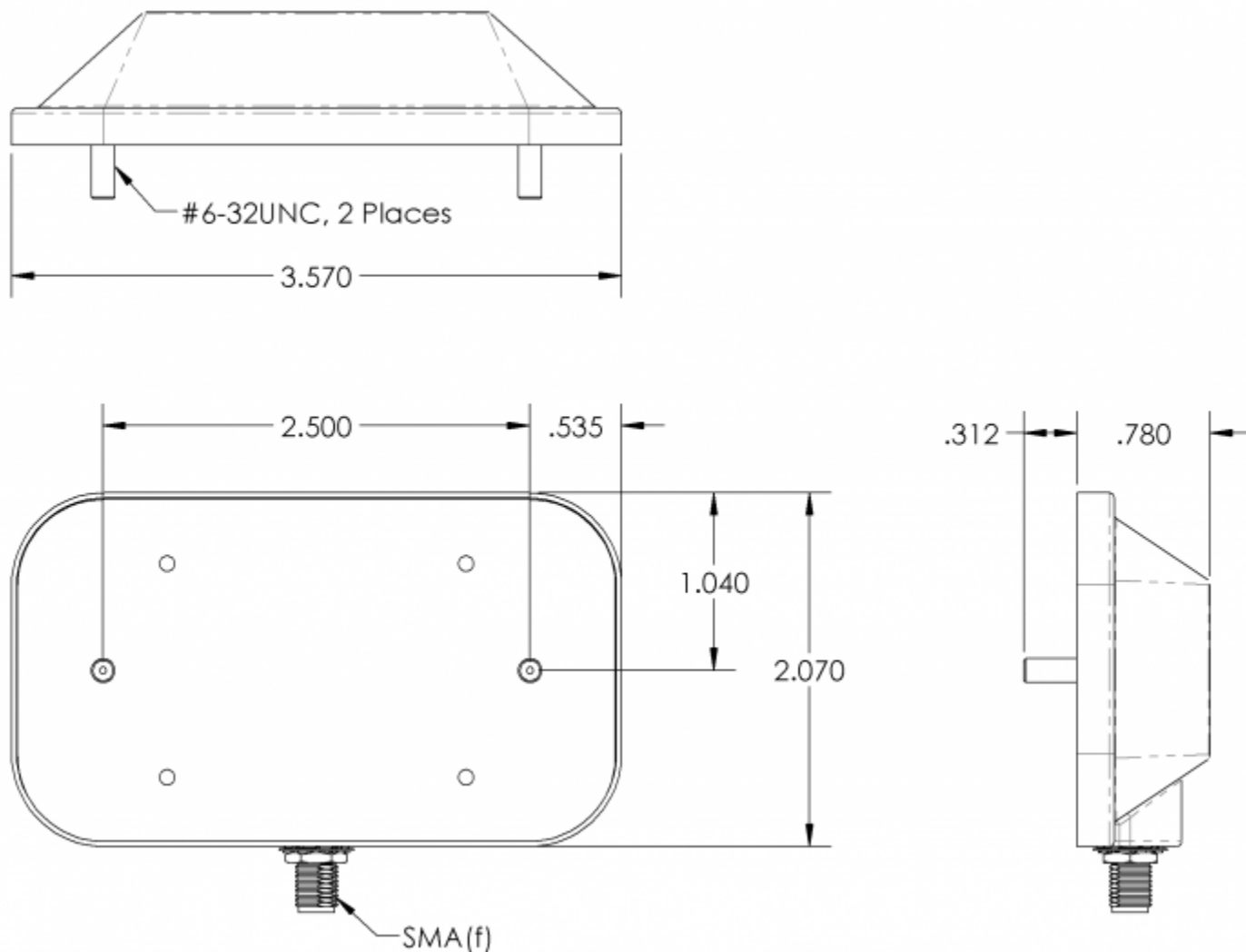
PRELIMINARY



Elevation Pattern

Referenced to +10 dBi

PRELIMINARY



Engineering Drawing

All dimensions are in inches