

Overview

Southwest Antennas Part # 1001-238 is a tri-band half wave dipole omni-directional antenna, designed to operate across the L, S, and C- Bands: 1.7 - 1.85 GHz, 2.2 - 2.5 GHz and 4.4 - 5.0 GHz with a peak gain of 2.7 dBi.

Part # 1001-238 features an integrated 3.13" RF Gooseneck with black chrome non-rotating SMA(m) RF connector, which contributes to the improvement of RF link margin and overall antenna performance. Our proprietary antenna design and manufacturing process ensures optimum antenna RF performance.

The non-rotating SMA(m) RF connector can be easily secured or removed from equipment in the field by a single gloved hand, no tools required.

Antennas with integrated RF Goosenecks are ideal for handheld video receivers, portable radio systems, or any other mobile communication platform. The RF Gooseneck can be threaded through MOLLE gear or other tactical vest hardware for added security while moving.

A rugged flat black fiberglass radome provides protection from damage and gives the antenna a low visibility finish. The integrated RF Gooseneck allows the antenna to bend and deflect away from impacts during outdoor operations.

Note: This product includes a resistor, providing the antenna with 10kOhm DC impedance and a maximum DC power of 0.1W

Features:

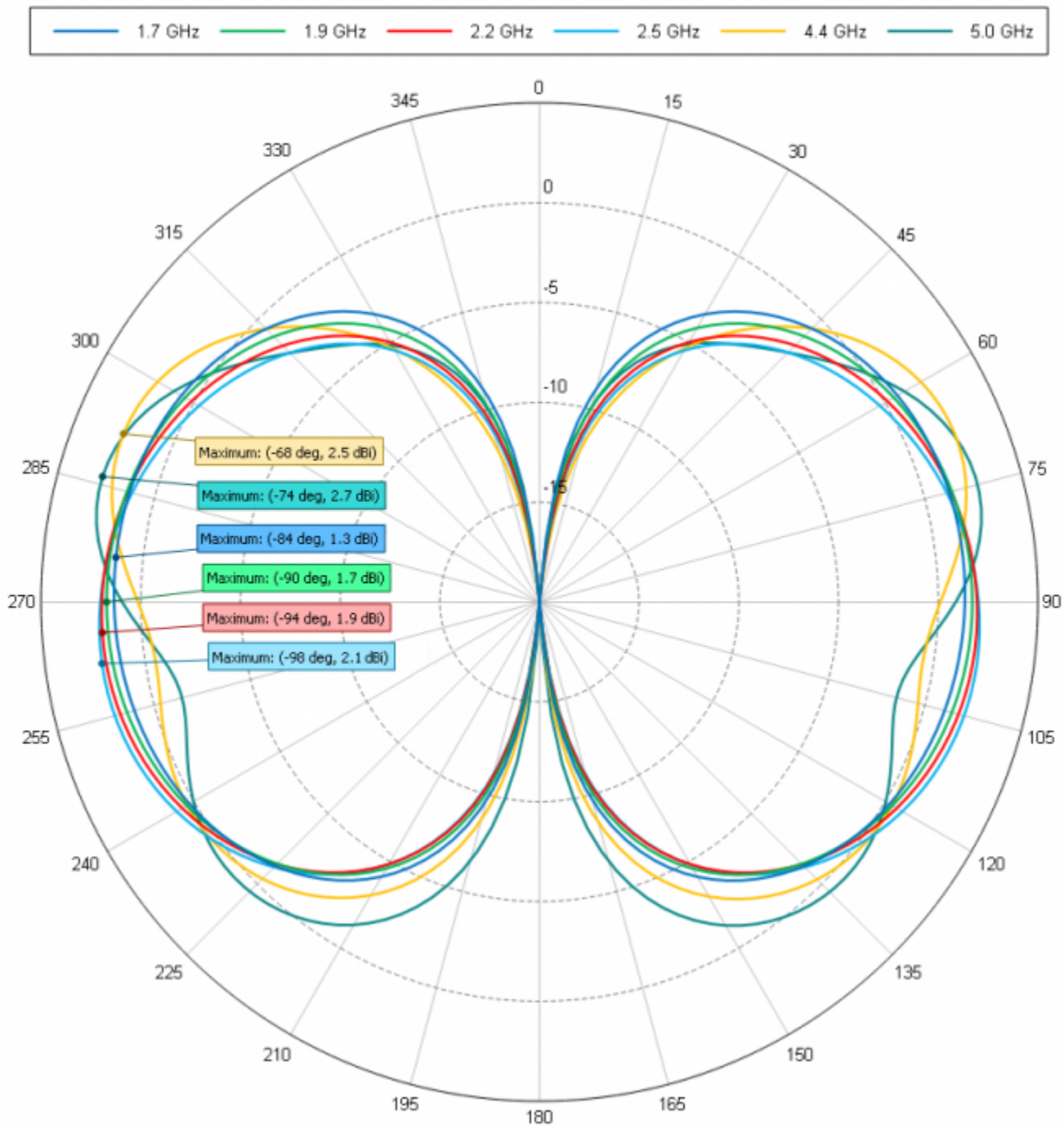
- Tri-Band Omni-Directional Antenna:
 - 1.7 - 1.85 GHz, 1.3 dBi
 - 2.2 - 2.5 GHz, 2.1 dBi
 - 4.4 - 5.0 GHz, 2.7 dBi
- Half Wave Dipole Design
- 50 Watt Power Handling
- Integrated Resistor
- Integrated RF Coaxial Gooseneck
- Rugged Flat Black Fiberglass Radome
- Black Chrome Non-Rotating SMA(m) RF Connector



Antenna Specifications

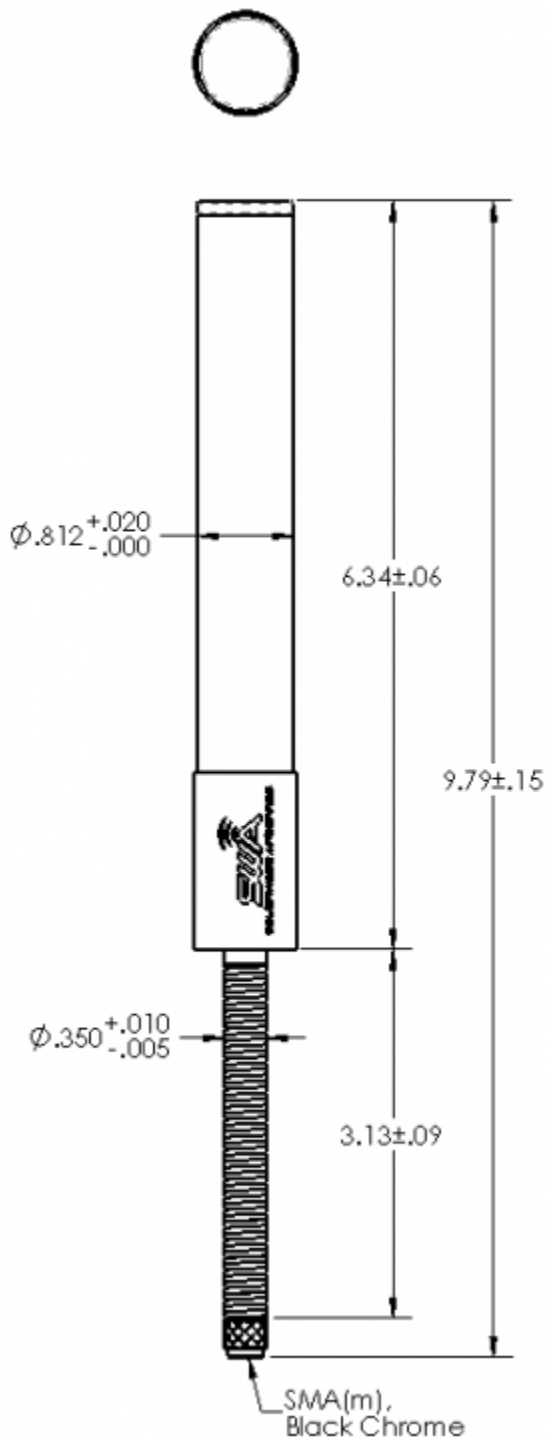
Parameter	Value	Units	Tolerance
Antenna Pattern	Omni Antenna		
Frequency Band	L, S, C		
Impedance	50	Ohms	
Frequency Range 1	1.7 – 1.85 1,700 – 1,850	GHz MHz	
Frequency Range 2	2.2 – 2.5 2,200 – 2,500	GHz MHz	
Frequency Range 3	4.4 – 5.0 4,400 – 5,000	GHz MHz	
Maximum VSWR	2.0:1	Ratio	
Maximum Gain	2.7	dBi	Max
Polarization	Vertical		
Maximum RF Input Power	50	Watts	
Horizontal (AZ) Beamwidth	360	Degrees	
L Band Vertical (EL) Beamwidth	90	Degrees	Max
S Band Vertical (EL) Beamwidth	98	Degrees	Max
C Band Vertical (EL) Beamwidth	74	Degrees	Max
Ground Plane Required	No		
Radome Material	Fiberglass		
Color	Black		
Spring or Gooseneck	Gooseneck		
Gooseneck Length	3.13 / 79.50	inches / mm	±.09"
Gooseneck Diameter	0.35 / 8.89	inches / mm	+.010 / -.005"

Parameter	Value	Units	Tolerance
RF Connector Type	SMA(m) Non-Rotating		
RF Connector Features	Black Chrome		
Operating Temperature Range	-40 to +85	C	
Product Height	9.79 / 248.67	inches / mm	±.15"
Product Diameter	0.81 / 20.62	inches / mm	+.020 / -.000"
Product Weight	2.6 / 72.6	oz / grams	



Elevation Pattern

Referenced to +5 dBi



Engineering Drawing

All dimensions are in inches