

Overview

Southwest Antennas Part # 1071-026 is a magnetic mount kit for the rapid deployment of omni-directional or PCB-style antennas. The mount features a strong 3.2" diameter magnetic base, which can securely hold on to a vehicle or other magnetic metal object, giving users a wide range of non-permanent antenna mounting options.

Part # 1071-026 features a Type-N(f) RF connectors for the antenna connection on top of the mount, and a SMA(f) RF cable connection on the side of the mount, allowing the RF cable to be swapped out easily for different applications.

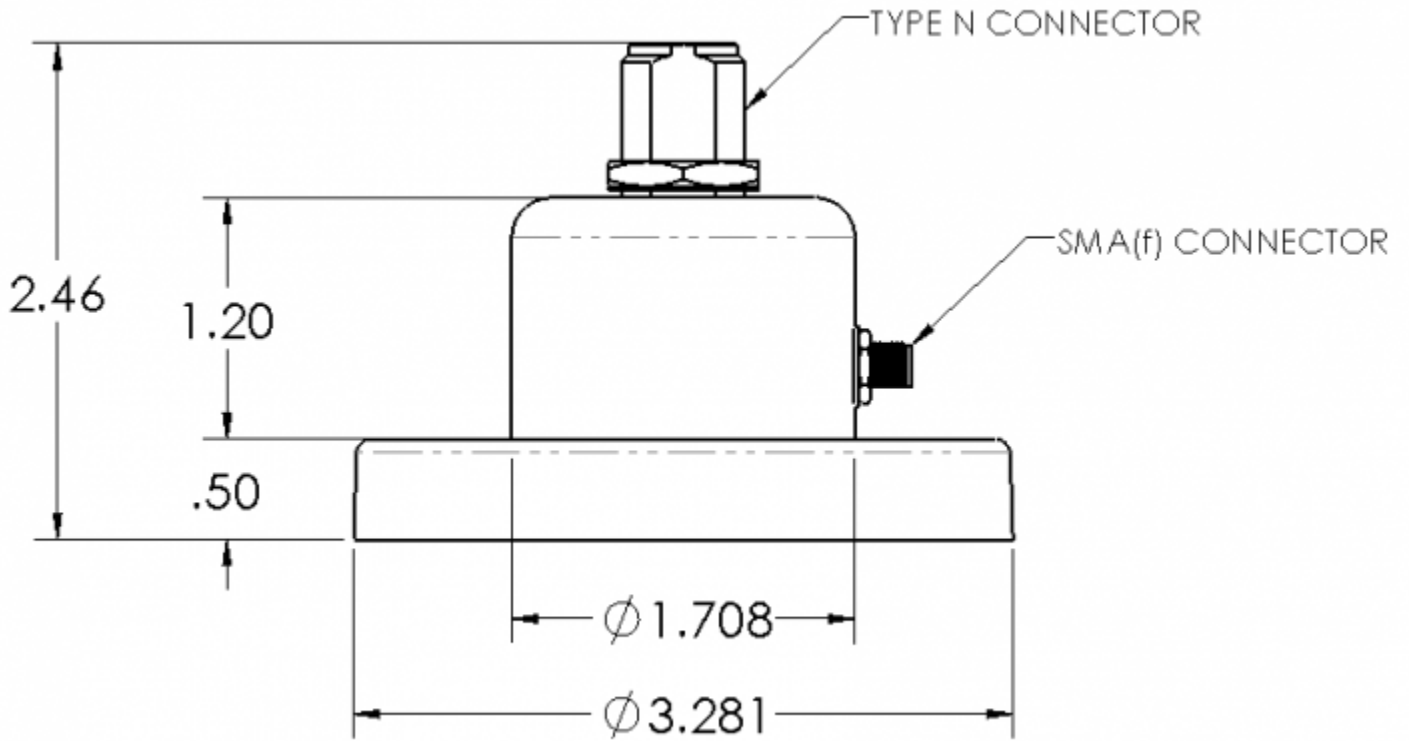
Features:

- Heavy Duty Magnetic Mount Base
- 3.2" Diameter Magnet
- Less than 0.7dB insertion loss from DC to 8.4 GHz
- Type-N(f) RF connector for antenna connection
- Ideal for use with omni-directional antennas & PCB style antennas
- Perfect for covert surveillance applications
- SMA(f) connector located in base for connection to radio via RF cable (sold separately)
- Includes Black Neoprene Rubber Surface Protection Cover (field replaceable)



Antenna Mount Kits

Parameter	Value	Units	Tolerance
Minimum Frequency	0.0 / 0	GHz / MHz	
Maximum Frequency	8.4 / 8,400	GHz / MHz	
Insertion Loss	Less than .7dB from DC to 8.4GHz		
Surface Protection	Black Neoprene Rubber Surface Protection Cover (field replaceable)		
Mount Antenna RF Connector	Type-N(f)		
Mount Cable RF Connector	SMA(f)		
Magnet Maximum Hold Strength	120 Lbs. Without Protective Cover (29 Lbs. With Protective Cover Installed). Hold Strength Values Available Upon Request.		
Mount Color	Flat Black		
Product Height	2.460 / 62.484	inches / mm	
Mount Base Diameter	3.281 / 83.337	inches / mm	
Product Weight	1.10 / 0.50	lbs / kg	



Engineering Drawing

All dimensions are in inches