

Overview

Southwest Antennas Part #1080-021 is an in-line low noise amplifier (LNA) designed to boost weak signals as they are received by the attached radio /RF communication system. This LNA is powered from the attached coaxial cable and features a green LED to indicate power, and features a low 1.8 dB noise figure and 14.33 - 17.62 dB gain across its operating frequency range.

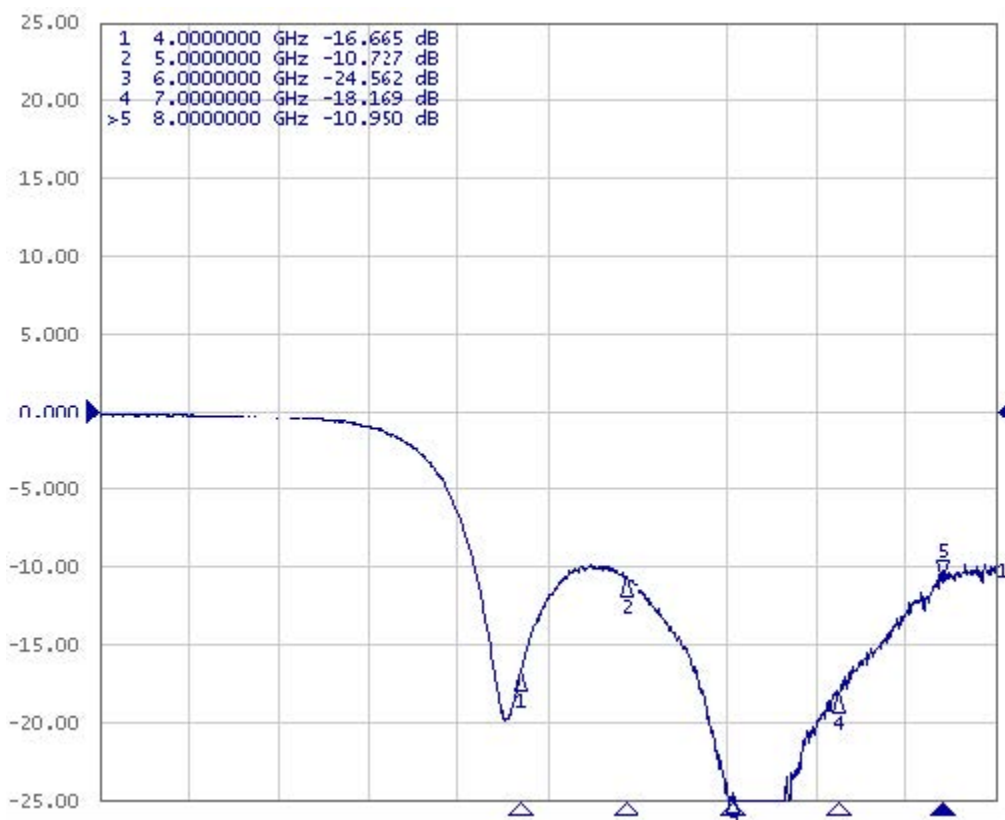
Features:

- Powered from coaxial cable
- 4.0 - 8.5 GHz operational frequency range
- 1.8 dB NF
- Excellent IP3, +28 dBm
- Small size
- Lightweight
- ROHS compliant
- SMA(f) and SMA(m) RF connectors

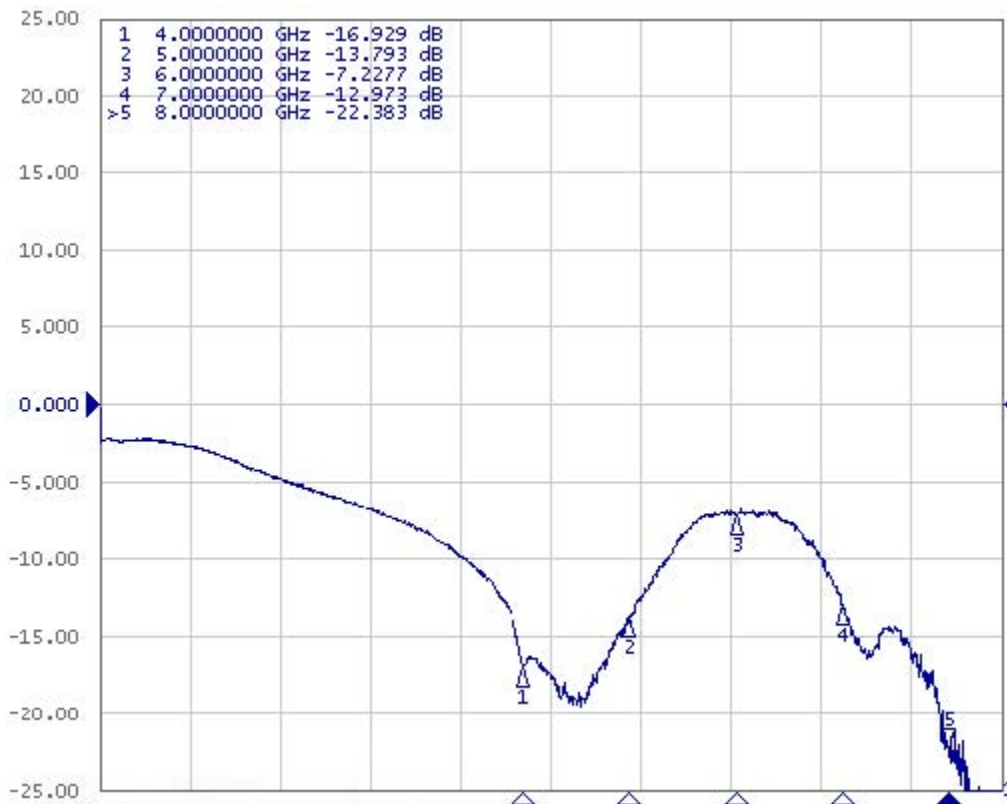


LNA Specifications

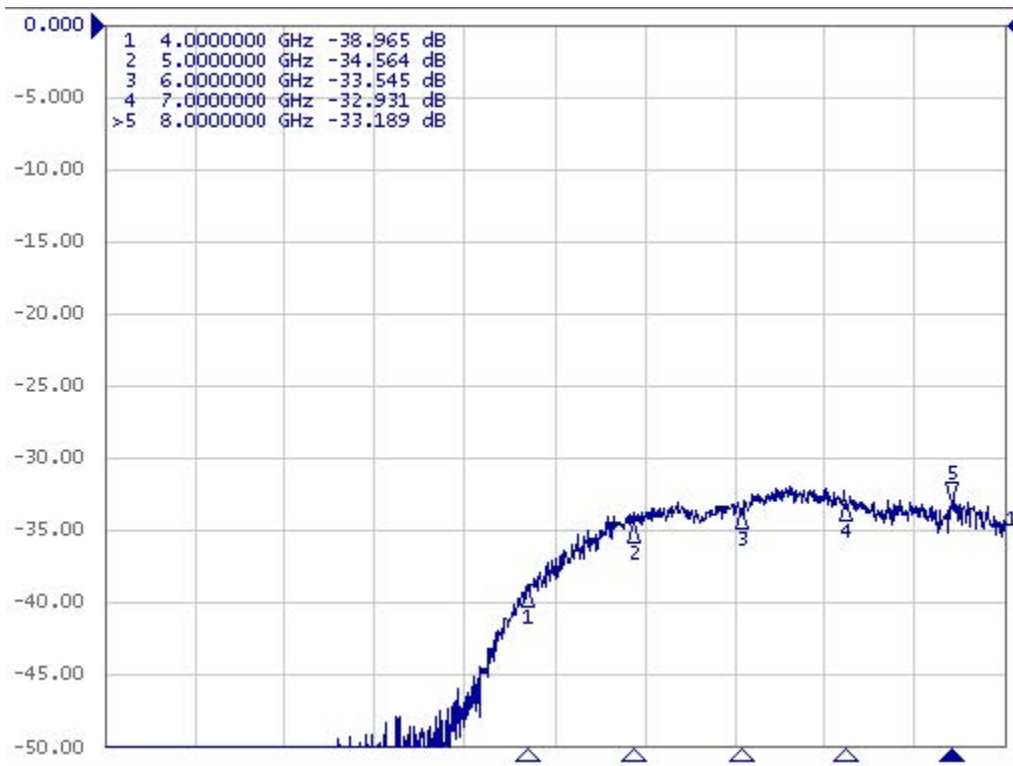
Parameter	Value	Units	Tolerance
Frequency Band	C		
LNA Impedance	50	Ohms	
LNA Connector Type	SMA(m) and SMA(f)		
LNA Min Frequency	4.0 / 4,000	GHz / MHz	
LNA Max Frequency	8.5 / 8,500	GHz / MHz	
LNA Gain	4 GHz = 14.33 dB, 5 GHz = 16.77 dB, 6 GHz = 17.21 dB, 7 GHz = 17.24 dB, 8 GHz = 17.62 dB		
LNA NF	1.8	dB	
Output IP3	28.0	dBm	
LNA Max RF Input Power	+10.0	dBm	
LNA DC Voltage Range	+3.5 to +20.0	VDC	
Product Length	2.88 / 73.15	inches / mm	
Product Diameter	1.00 / 25.40	inches / mm	
Product Weight	0.7 / 19.8	oz / grams	



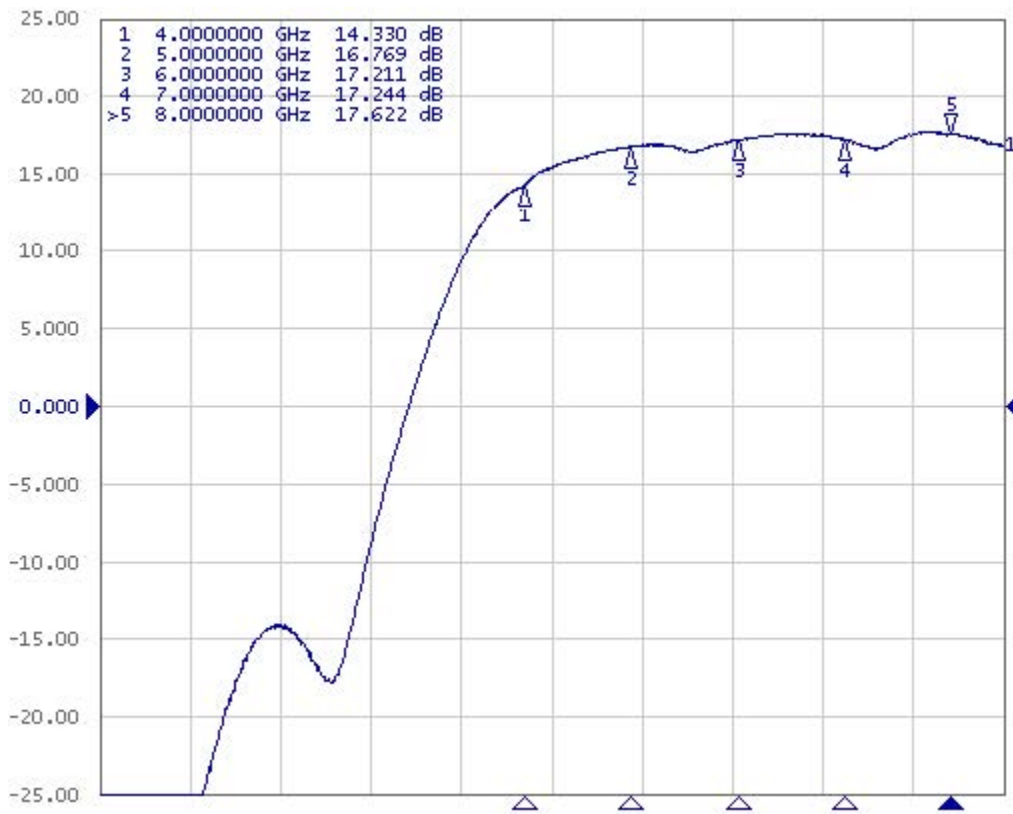
S11 (Antenna Port)



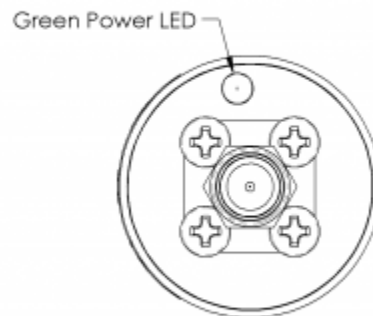
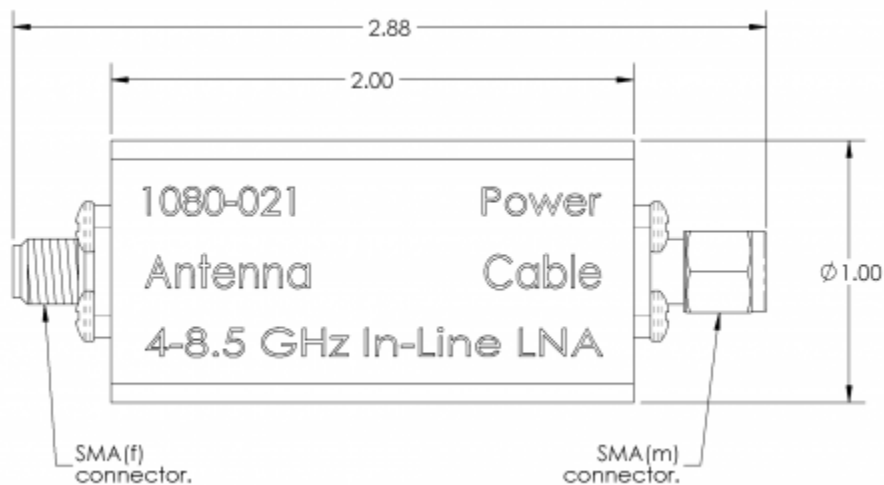
S22 (Cable Port)



S12



S21 w 1 dB PAD



Engineering Drawing

All dimensions are in inches