

Overview

Southwest Antennas Part # 1034-009 is a directional sector antenna in a compact cylindrical housing, allowing the antenna to be installed in smaller spaces than larger flat panel sector antenna designs. The antenna offers an S-Band operational frequency range of 2.2 - 2.5 GHz, and a peak gain of 12 dBi.

This antenna features a matte black finish and black chrome RF connector. An arrow on the top cap denotes transmit and receive direction.

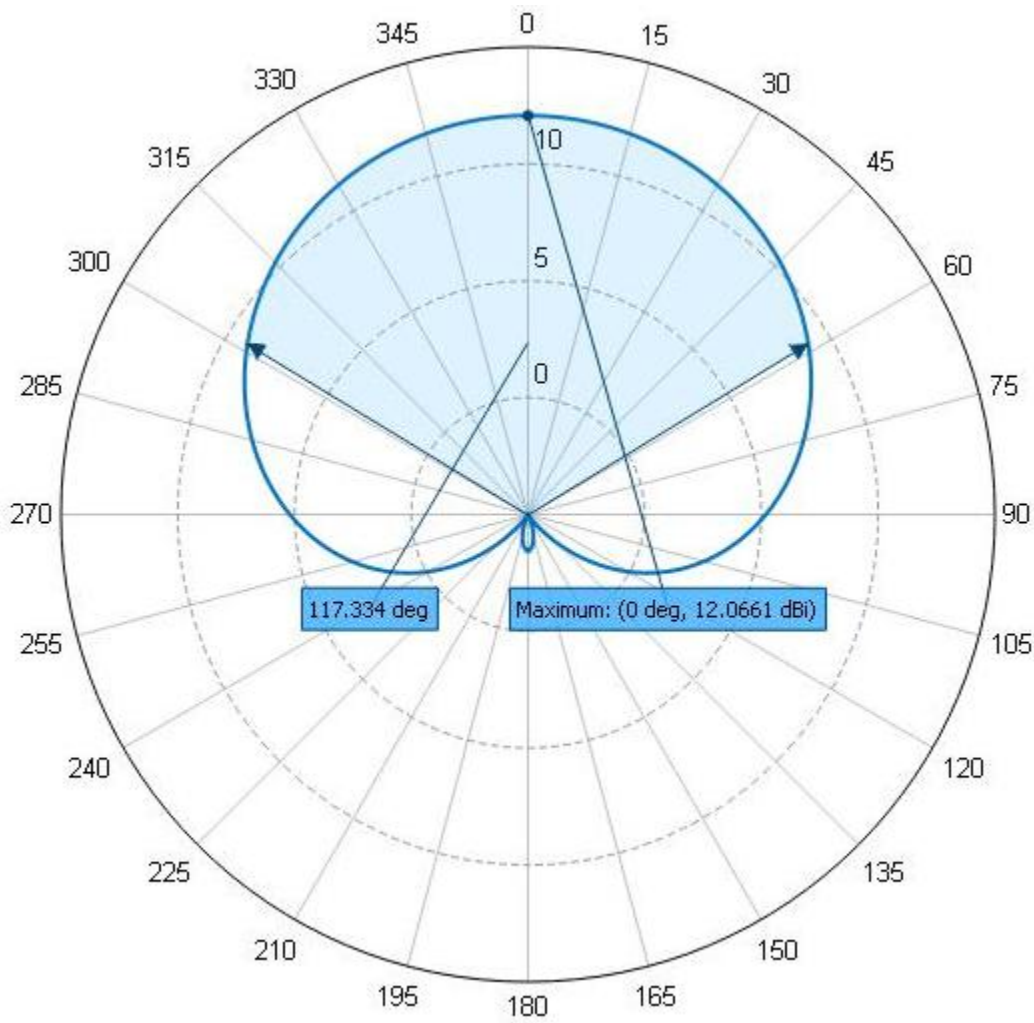
Features:

- 117 Degree Sector Coverage
- 2.2 - 2.5 GHz
- 12 dBi Gain
- >15 dBi Front to Back Ratio
- 20 Watt Power Handling
- Transmit & Receive
- All Weather Operation
- Threaded mounting holes on base plate of radome
- Arrow on top cap denotes transmit and receive direction
- Rotating TNC(m) RF Connector with black chrome finish



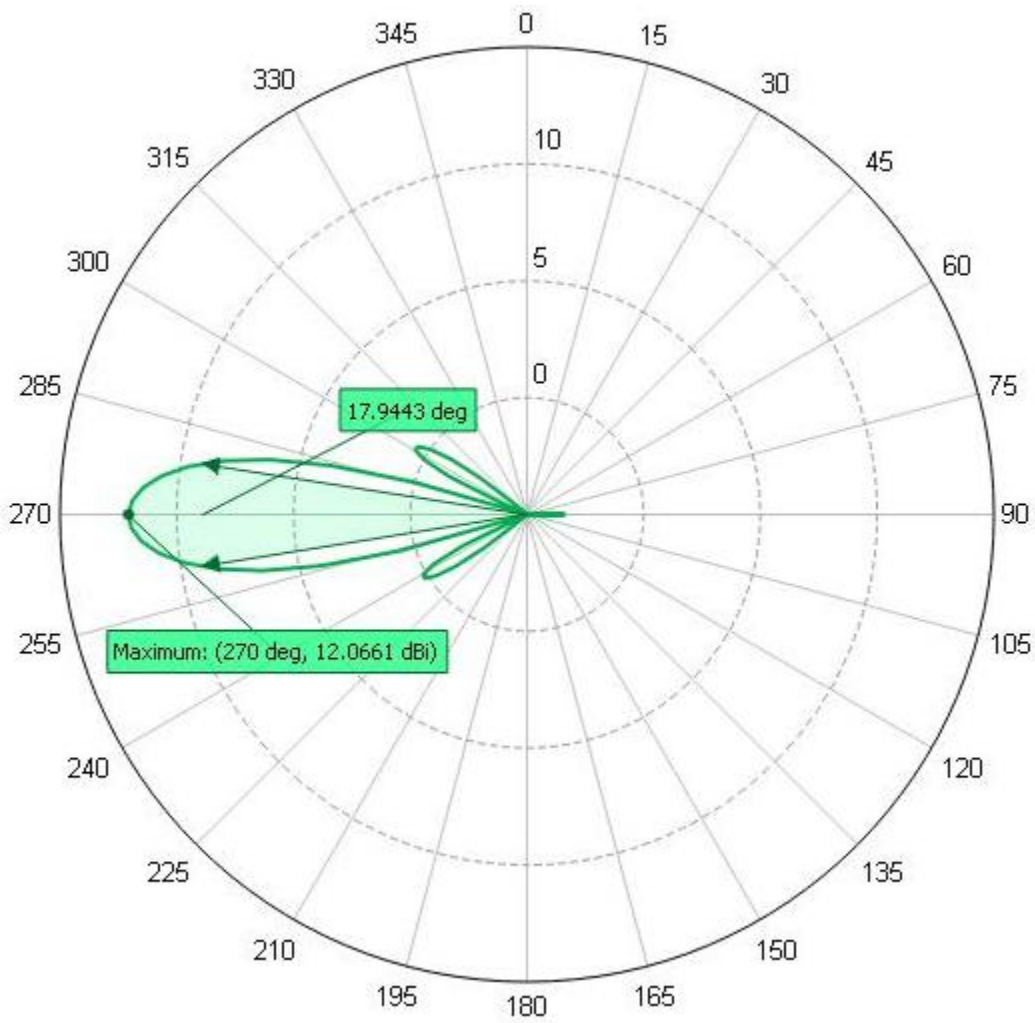
Antenna Specifications

Parameter	Value	Units	Tolerance
Antenna Pattern	Directional Antenna		
Frequency Band	S		
Impedance	50	Ohms	
Minimum Frequency	2.2 / 2,200	GHz / MHz	
Maximum Frequency	2.5 / 2,500	GHz / MHz	
Frequency Bandwidth	0.3 / 300	GHz / MHz	
Maximum VSWR	2.0:1	Ratio	
Maximum Gain	12	dBi	
Polarization	Vertical		
Maximum RF Input Power	20	Watts	
Horizontal (AZ) Beamwidth	117	Degrees	
Vertical (EL) Beamwidth	18	Degrees	
Ground Plane Required	No		
Color	Black		
Mounting Holes or Studs	4x # 6-32 UNC threaded holes on base of antenna radome		
Maximum Wind Velocity	75 / 120	mph / kph	
RF Connector Type	TNC(m)		
RF Connector Features	Rotating, Black Chrome		
Product Height	17.41 / 442.24	inches / mm	±0.13"
Product Diameter	2.63 / 66.68	inches / mm	+ .020" / -.000"
Product Weight	12.6 / 358.3	oz / grams	



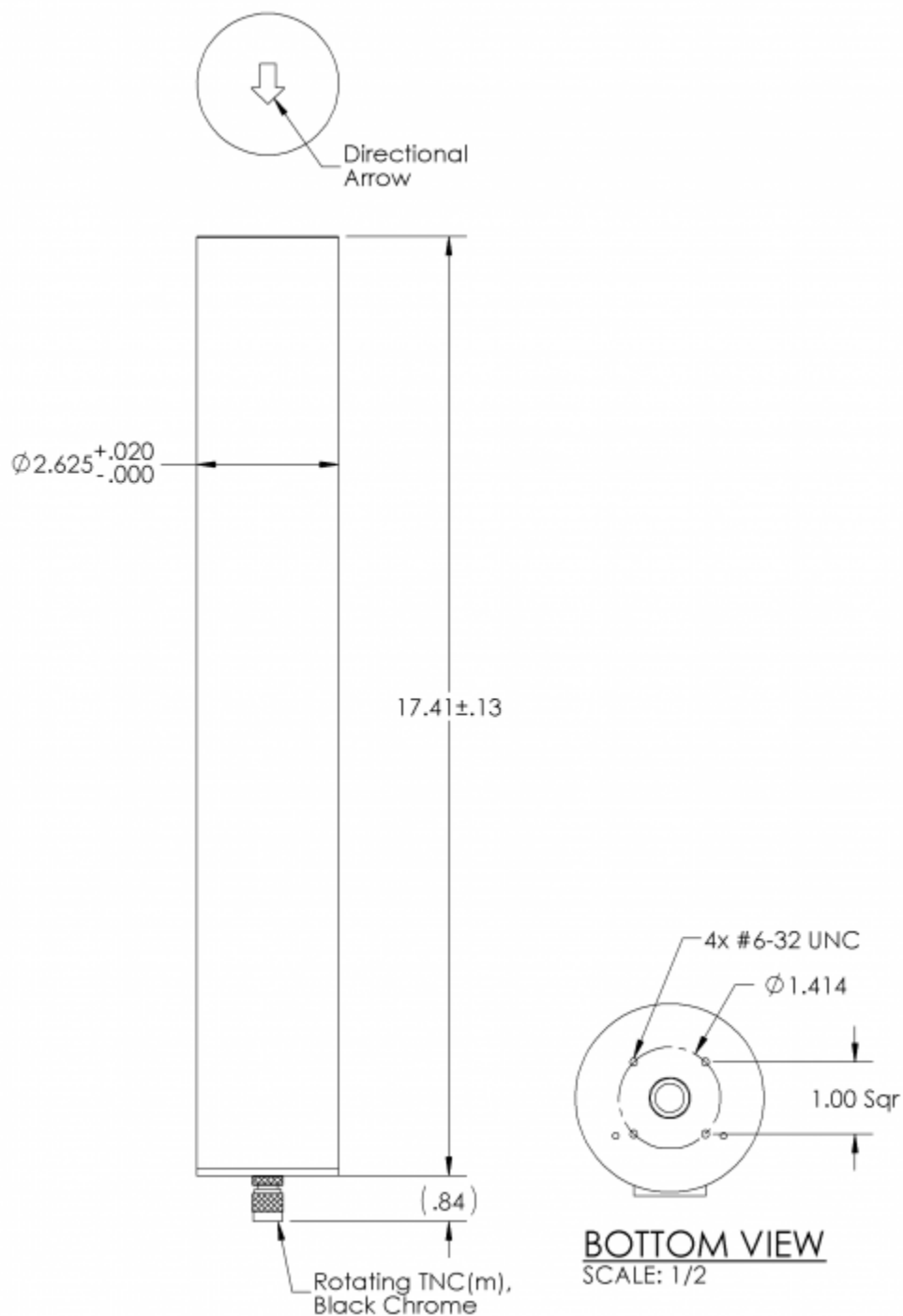
Azimuth Pattern

Referenced to +15 dBi



Elevation Pattern

Referenced to +15 dBi



Engineering Drawing

All dimensions are in inches