

Overview

Southwest Antennas Part # 1011-008 is a small form factor 2.4 GHz ISM band panel antenna for Wi-Fi and ISM band applications in the 2.4 - 2.5 GHz frequency range. The antenna's small size (0.5 inch thickness) allows it to be integrated into other products/enclosures or used as a stand-alone solution. Suitable for use indoors or outdoors, as Kydex radome is sealed and UV resistant.

Part # 1011-008 has 12" of RG-58 RF cable which features a Type-N(f) RF connector (other options are available, please contact [Southwest Antennas](http://SouthwestAntennas.com)).

Note: Linear polarization is aligned with long axis of radome.

Features:

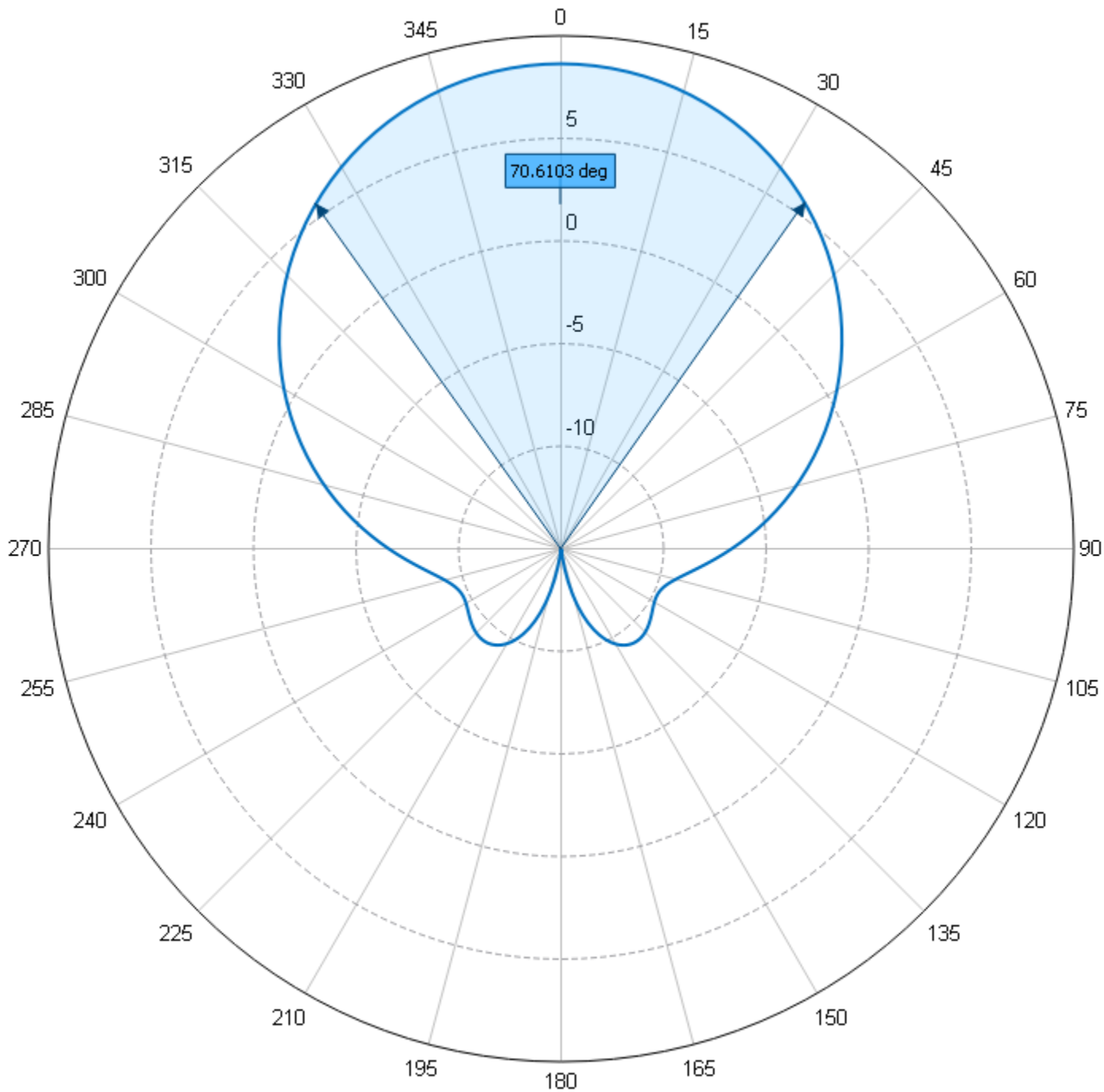
- Small Form Factor Panel Antenna Design
- Designed for IEEE 802.11g/n wi-fi applications
- 2.4 - 2.5 GHz Frequency Coverage
- 6.5 dBi Directional Radiation Pattern
- 10 Watt Power Handling
- RG-58 Cable with Type-N(f) RF Connector
- Black Kydex Radome
- UV Stable Indoor/Outdoor Housing
- 3x .170" Mounting Holes
- Wall and Ceiling Mount
- MIL-STD 810 Drop Test Compliant
- Easily Disguised



Antenna Specifications

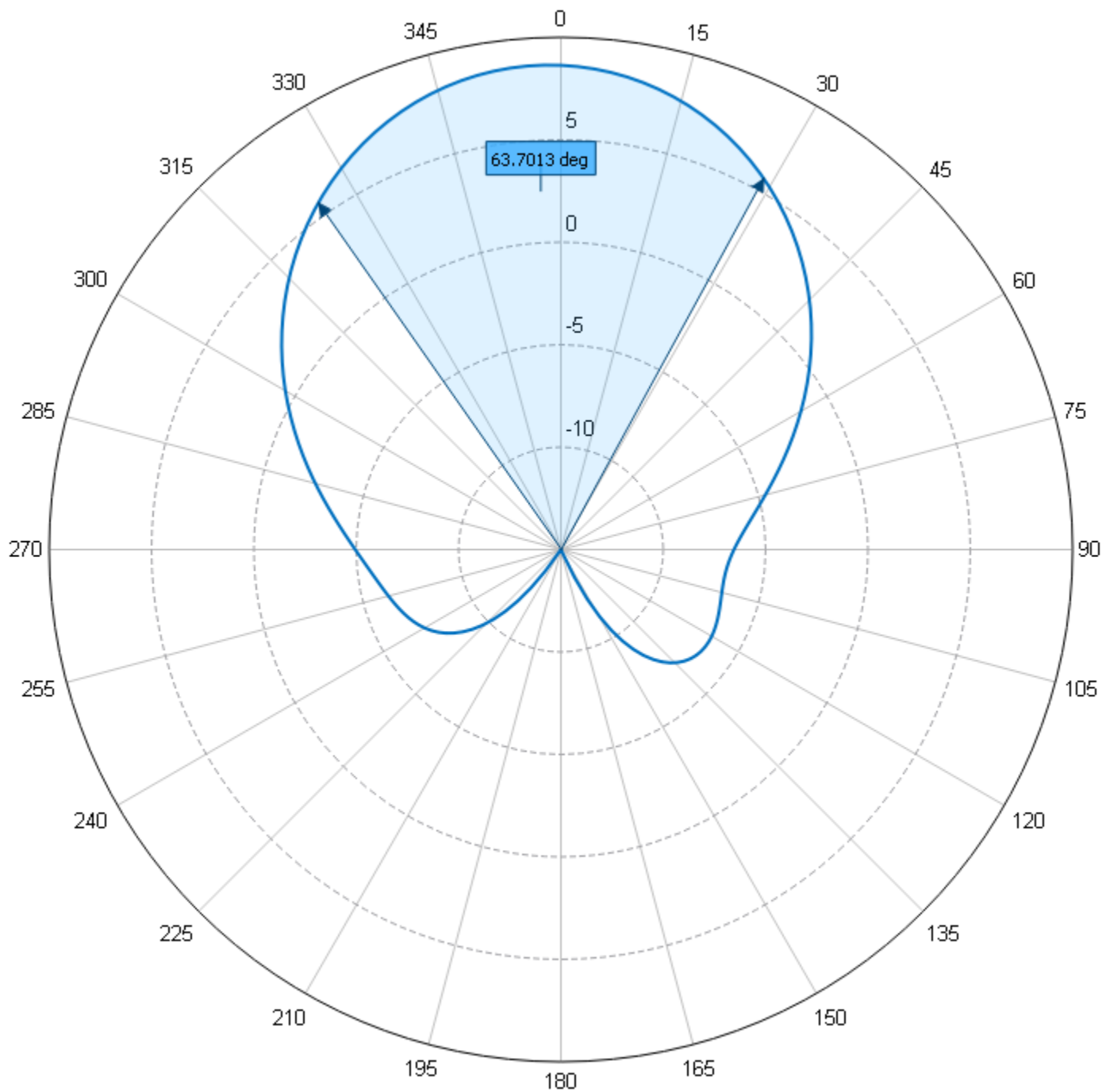
Parameter	Value	Units	Tolerance
Antenna Pattern	Directional Antenna		
Frequency Band	S		
Impedance	50	Ohms	
Minimum Frequency	2.4 / 2,400	GHz / MHz	
Maximum Frequency	2.5 / 2,500	GHz / MHz	
Frequency Bandwidth	0.1 / 100	GHz / MHz	
Maximum VSWR	1.8:1		
Maximum Gain	7.8	dBi	6.5 dBi minimum
Polarization	Vertical		
Maximum RF Input Power	10	Watts	
Horizontal (AZ) Beamwidth	70.6	Degrees	
Vertical (EL) Beamwidth	63.7	Degrees	
Ground Plane Required	No		
Radome Material	Kydex		
Color	Black		
Mounting Holes or Studs	Three .170" holes, triangular formation		
RF Connector Type	Type-N(f)		
RF Cable Type	RG-58 (Black)		
RF Cable Length	12.00 / 304.80	inches / mm	
Operating Temperature Range	-40 to +70	C	
Storage Temperature Range	-40 to +70	C	

Parameter	Value	Units	Tolerance
Product Length	5.20 / 132.08	inches / mm	
Product Width	3.80 / 96.52	inches / mm	
Product Height	0.50 / 12.70	inches / mm	
Product Weight	0.5 / 0.2	lbs / kg	



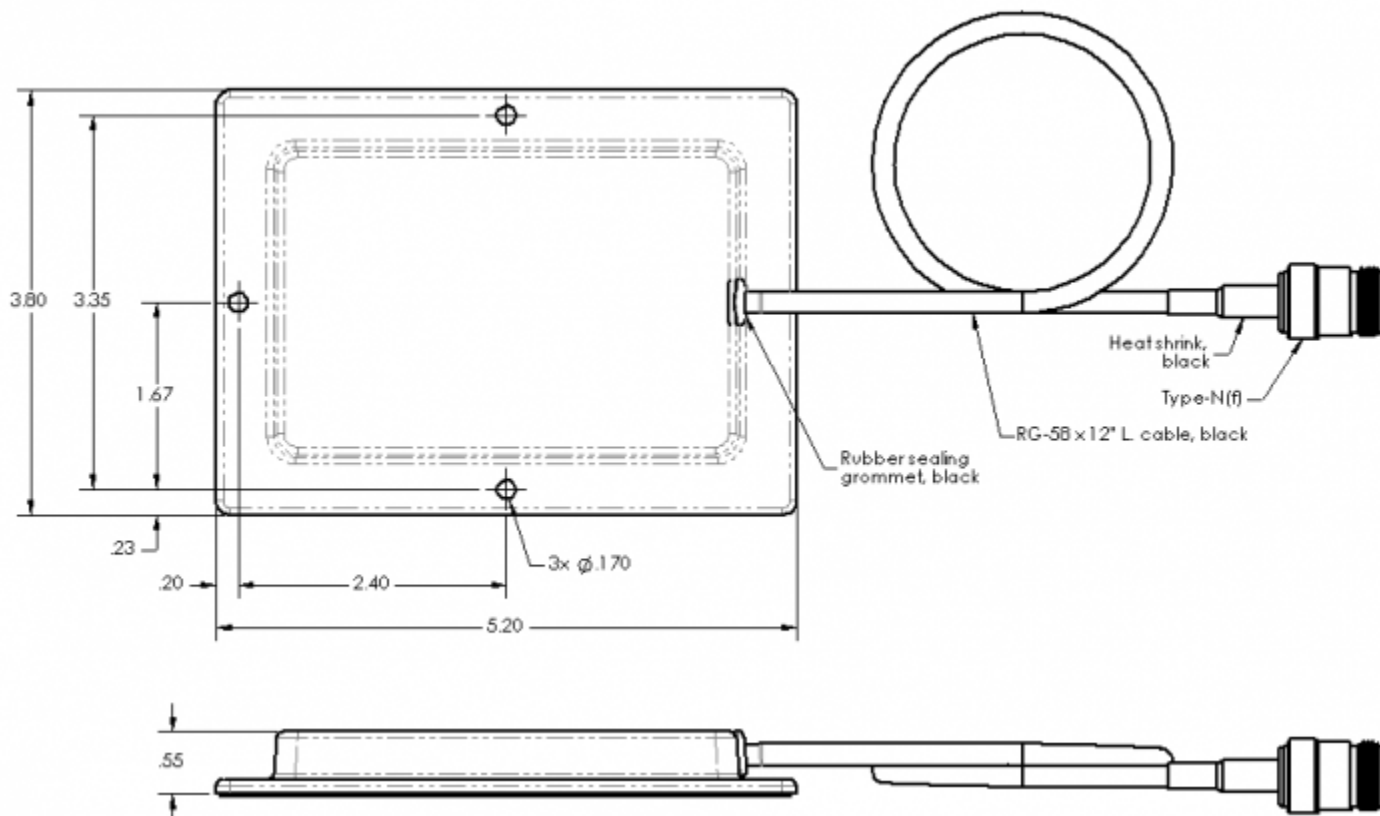
Azimuth Pattern

Referenced to +10 dBi



Elevation Pattern

Referenced to +10 dBi



Engineering Drawing

All dimensions are in inches