

## Overview

Southwest Antennas Part # 1055-381 is a three port panel antenna designed for use with 3x3 MIMO radio systems and operates from 2.1 - 2.5 GHz. This antenna features a unique three element configuration with one vertically polarized antenna, one slant left antenna, and one slant right antenna for enhanced polarization and spatial diversity, and offers 60° of azimuth and elevation beamwidth per element. Multiple mounting options allow for positioning on poles, walls, windows, or other structures.

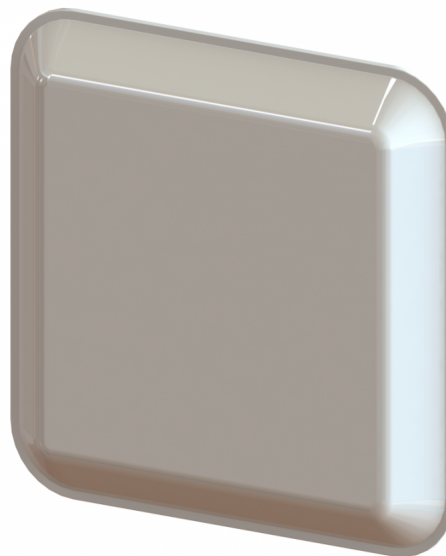
This antenna features 8x 8-32 UNC studs on the rear panel for mounting and includes a pole mounting bracket.

## Features:

- 3 Independent MIMO Antennas:
  - 1 Slant Right
  - 1 Vertical
  - 1 Slant Left
- Enhanced Polarization & Spatial Diversity
- 2.1 - 2.5 GHz
- 10.0 dBi Gain (-10.0 dBi Cross-Polarized)
- 3x Type-N(f) RF Connectors
- 3 Mounting Options:
  - Suction Cup Mount
  - Pole Mount
  - Wall Mount

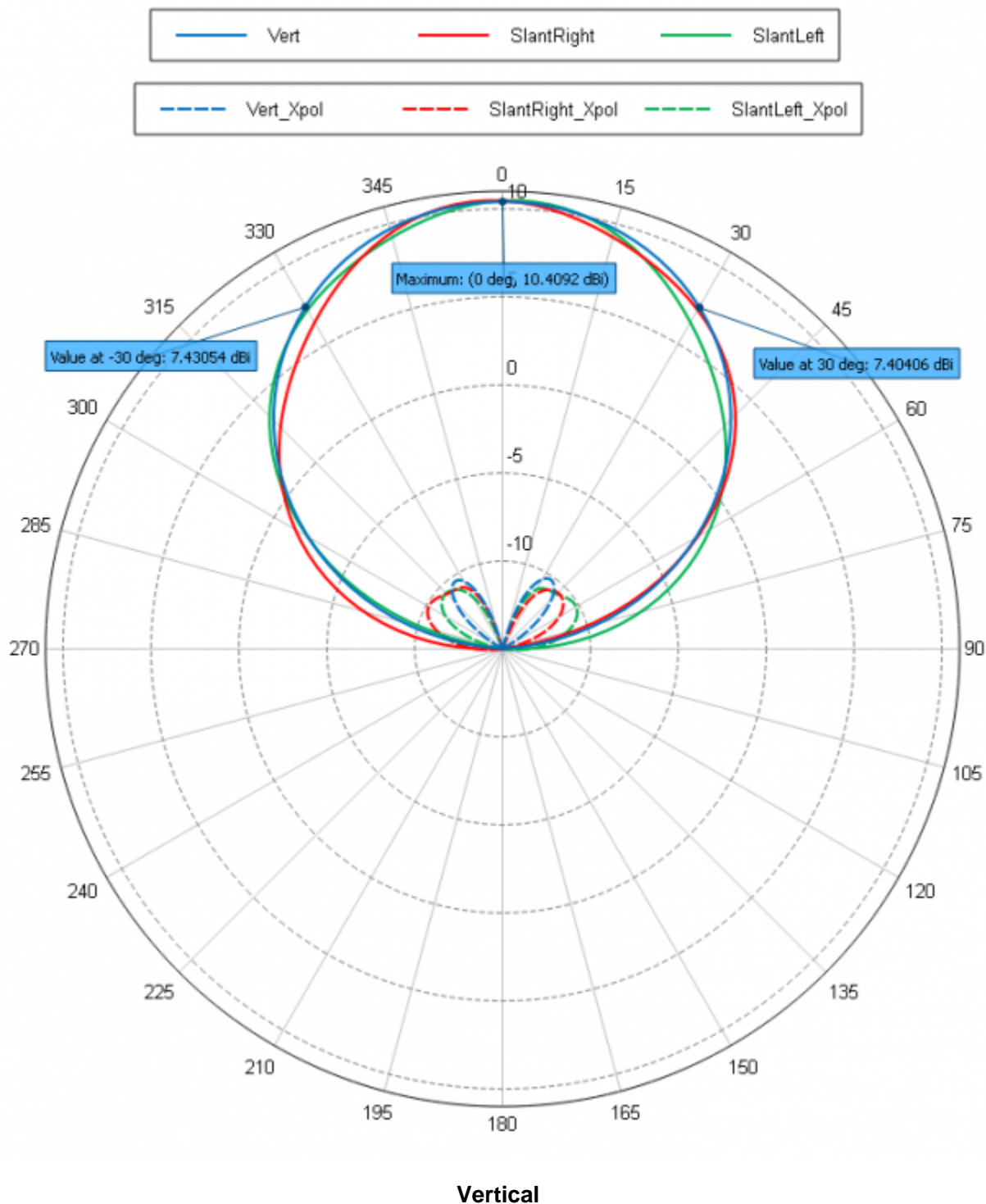
## Mounting Options:

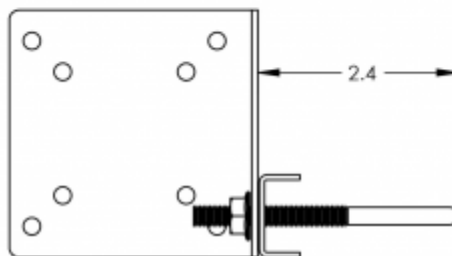
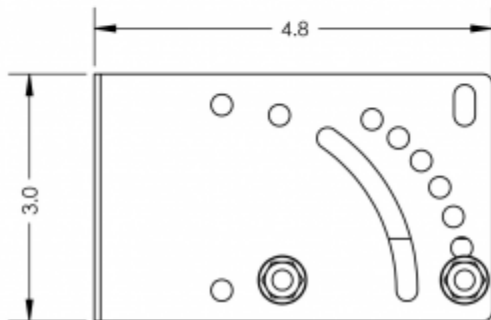
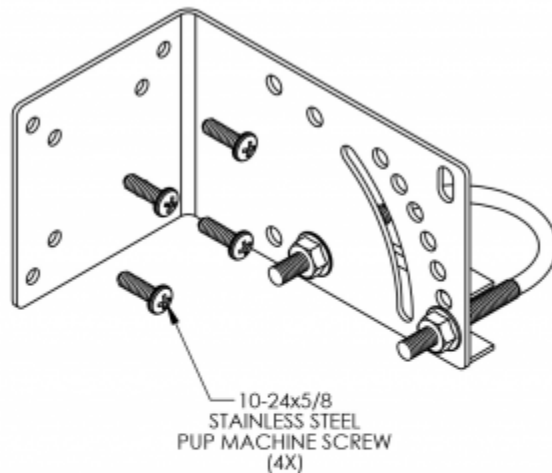
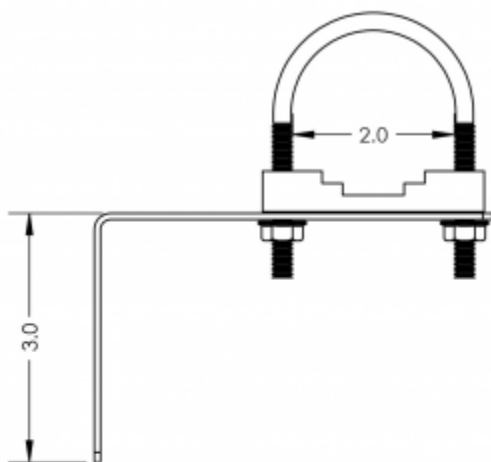
- Part # 1070-058, 1.25" - 2.0" OD Pole & Tower Mounting Bracket Assembly, ±60° Degree Tilt Adjustment (included)



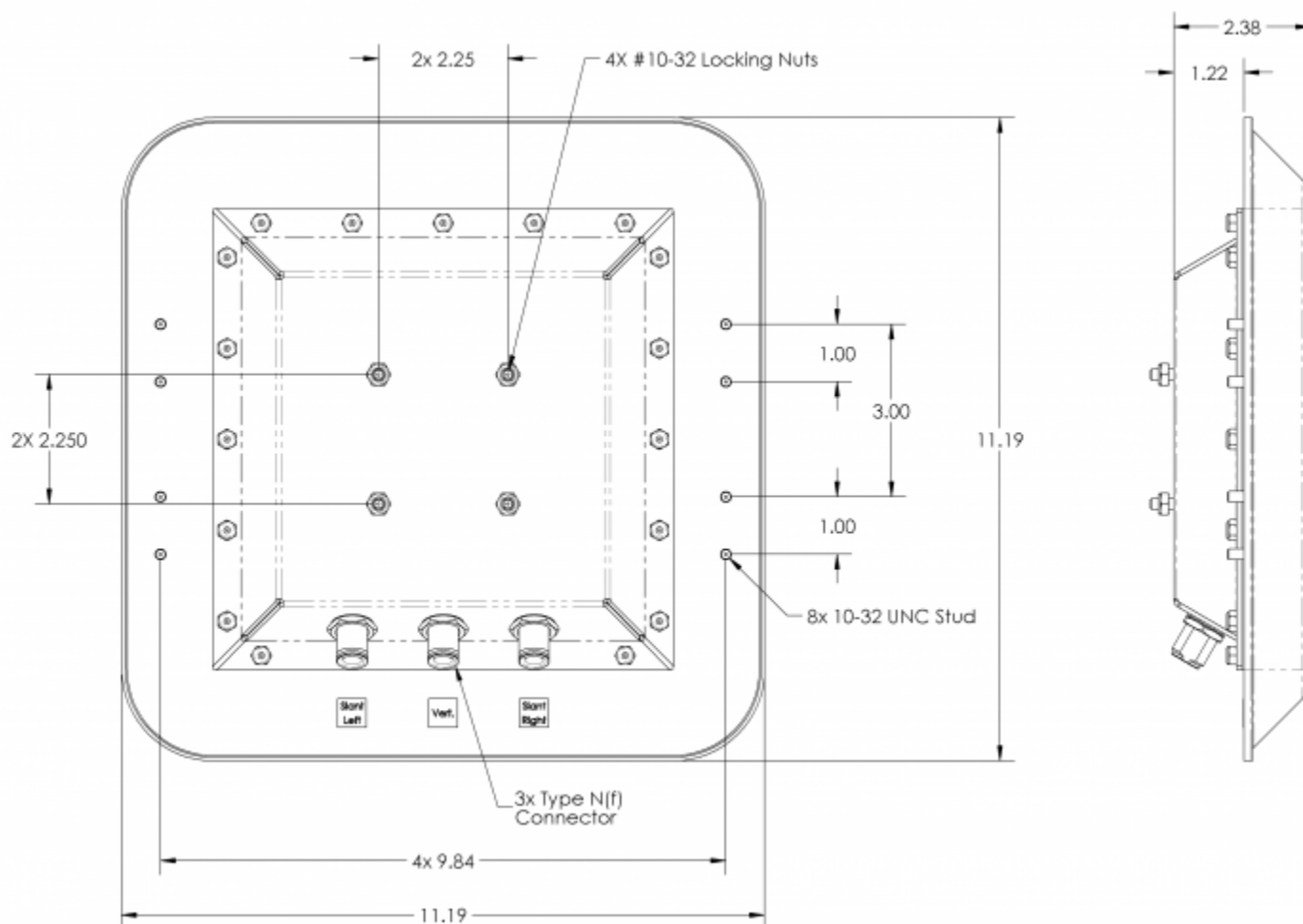
### Antenna Specifications

Parameter	Value	Units	Tolerance
Frequency Band	S		
Impedance	50	Ohms	
Minimum Frequency	2.1 / 2,100	GHz / MHz	
Maximum Frequency	2.5 / 2,500	GHz / MHz	
Frequency Bandwidth	0.4 / 400	GHz / MHz	
Maximum VSWR	1.5:1	Ratio	
Maximum Gain	10	dBi	(-10 dBi cross-polarized)
Polarization	Slant R/L & Vertical		
Horizontal (AZ) Beamwidth	60	Degrees	Per Element
Vertical (EL) Beamwidth	60	Degrees	Per Element
Ground Plane Required	No		
Radome Material	Polycarbonate		
Color	White		
Mount Style	Included Pole Mounting Bracket		
Mounting Holes or Studs	8x 8-32 UNC Studs, 4x 10-32 Locking Nuts		
RF Connector Type	Type-N(f)		
Product Length	11.19 / 284.23	inches / mm	
Product Width	11.19 / 284.23	inches / mm	
Product Height	2.38 / 60.45	inches / mm	
Product Weight	2.5 / 1.1	lbs / kg	Estimated





**Part # 1070-058 Mounting Kit Dimensions**  
Included with Antenna



### Engineering Drawing

All dimensions are in inches