

Overview

Southwest Antennas Part # 1087-072 is a full wave dipole antenna designed to operate from 1.7 - 1.85 GHz, with a peak gain of 3.5 dBi.

This antenna features a 3.5" diameter flange mount base with lock-wired screw connection to the Type-N(f) RF connector, adding an additional level of safety when used on vehicles, helicopters, or other vibrating platforms.

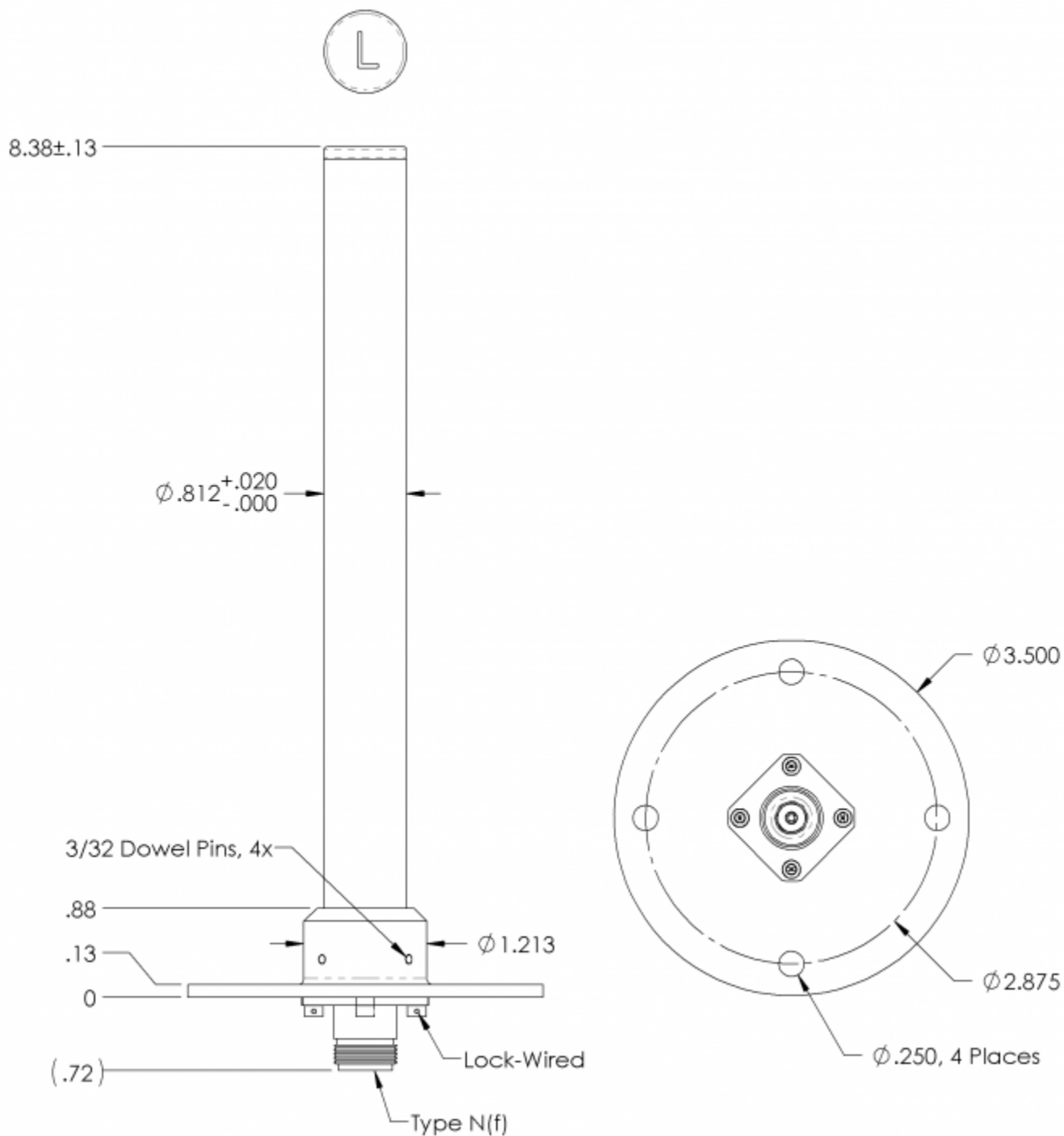
Features:

- 1.7 - 1.85 GHz
- Full Wave Dipole
- 3.5 dBi Omni Radiation Pattern
- Rugged Construction
- Low Glare Black Radome
- 3.5" Flange Mount Base
- Type-N(f) RF Connector with Lock-Wired Screws
- End Cap Lettering "L"



Antenna Specifications

Parameter	Value	Units	Tolerance
Antenna Pattern	Omni Antenna		
Frequency Band	L		
Impedance	50	Ohms	
Minimum Frequency	1.7 / 1,700	GHz / MHz	
Maximum Frequency	1.85 / 1,850	GHz / MHz	
Frequency Bandwidth	0.15 / 150	GHz / MHz	
Maximum VSWR	2:1	Ratio	
Maximum Gain	3.5	dBi	
Polarization	Vertical		
Maximum RF Input Power	50	Watts	
Horizontal (AZ) Beamwidth	360	Degrees	
Vertical (EL) Beamwidth	59	Degrees	
Ground Plane Required	No		
Color	Flat Black		
Mount Style	Flange Mount		
Mounting Holes or Studs	4x Ø.250"		
Mount Diameter	3.50 / 88.90	inches / mm	
RF Connector Type	Type-N(f)		
Product Height	8.38 / 212.85	inches / mm	±0.13"
Product Diameter	0.81 / 20.62	inches / mm	+0.02" / -.000"
Product Weight	5.6 / 158.8	oz / grams	



Engineering Drawing

All dimensions are in inches