

## Overview

Southwest Antennas Part # 1066-059 is a dual band omni-directional concealment antenna that operates at 2.2 - 2.5 GHz or 4.4 - 5.9 GHz, designed to be integrated inside of other devices, vehicles, or concealments for discreet deployment. The antenna can be tuned by Southwest Antennas to optimize performance inside of specific concealments.

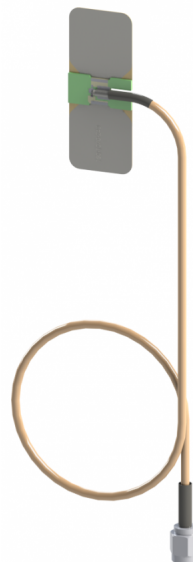
Part # 1066-059 features an Reverse Polarity SMA(m) RF connector.

## Features:

- Dual Band Coverage:
  - 2.2 - 2.5 GHz
  - 4.4 - 5.9 GHz
- Small Form Factor
- High Performance
- 50W Power Handling
- 1.8 dBi Omni Radiation Pattern
- 12 Inches of RG-316 RF Cable
- RP-SMA(m) RF Connector
- Ideal for Concealment & Surveillance Applications

**Note 1:** Antenna horizontal and vertical beamwidth measured in free space. Antenna pattern may differ when antenna is placed in concealment.

**Note 2:** Antenna performance is highly dependent on proper stand off of antenna from concealment inner wall / substrate material to achieve optimum RF performance. Adhesive foam tape or hook and loop Velcro is available upon request and can be utilized to achieve proper stand off distance.



### Antenna Specifications

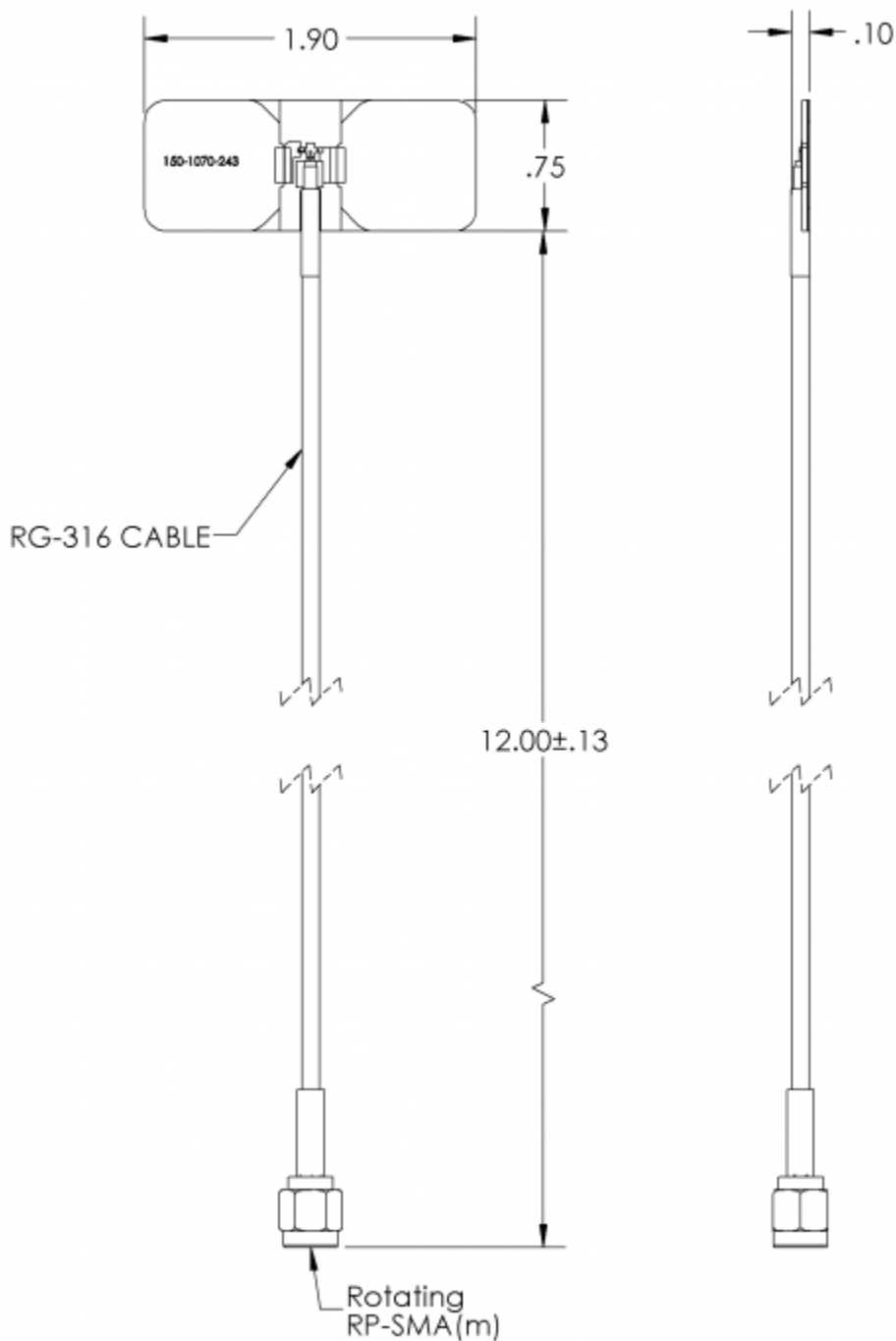
Parameter	Value	Units	Tolerance
<b>Antenna Pattern</b>	Omni Antenna		
<b>Frequency Band</b>	S & C		
<b>Impedance</b>	50	Ohms	
<b>Frequency Range 1</b>	2.2 – 2.5 2,200 – 2,500	GHz MHz	
<b>Frequency Range 2</b>	4.4 – 5.9 4,400 – 5,900	GHz MHz	
<b>Maximum VSWR</b>	2:1	Ratio	
<b>Maximum Gain</b>	1.8	dBi	.3 dB tuned inside concealment
<b>Polarization</b>	Vertical		
<b>Maximum RF Input Power</b>	50	Watts	
<b>Horizontal (AZ) Beamwidth</b>	360	Degrees	
<b>Vertical (EL) Beamwidth</b>	81	Degrees	
<b>Ground Plane Required</b>	No		
<b>RF Connector Type</b>	RP-SMA(m)		
<b>RF Cable Type</b>	RG-316		
<b>RF Cable Length</b>	12.00 / 304.80	inches / mm	
<b>IP Rating</b>	IP66 when installed inside compliant concealment		
<b>Operating Temperature Range</b>	-40 to +85	C	
<b>Product Length</b>	0.75 / 19.05	inches / mm	
<b>Product Width</b>	1.90 / 48.26	inches / mm	
<b>Product Height</b>	0.10 / 2.54	inches / mm	



Part # 1066-059  
Omni Concealment Antenna, Dual Band 2.2 - 2.5 GHz / 4.4 - 5.9 GHz, 1.8 dBi

---

Parameter	Value	Units	Tolerance
Product Weight	0.3 / 8.5	oz / grams	



### Engineering Drawing

All dimensions are in inches