

Features:

- 6 Panel Array
- Broad Band Coverage
- 2.36 - 2.40 GHz
- 12 dBi Gain Per Panel
- Rugged Kydex Radome
- 0° - 10° User Adjustable Uptilt for Improved Coverage
- Fully Maintainable
- Mounting Kit for Permanent & Temporary Mounting Included

NOTE: This array uses the following customer furnished items:

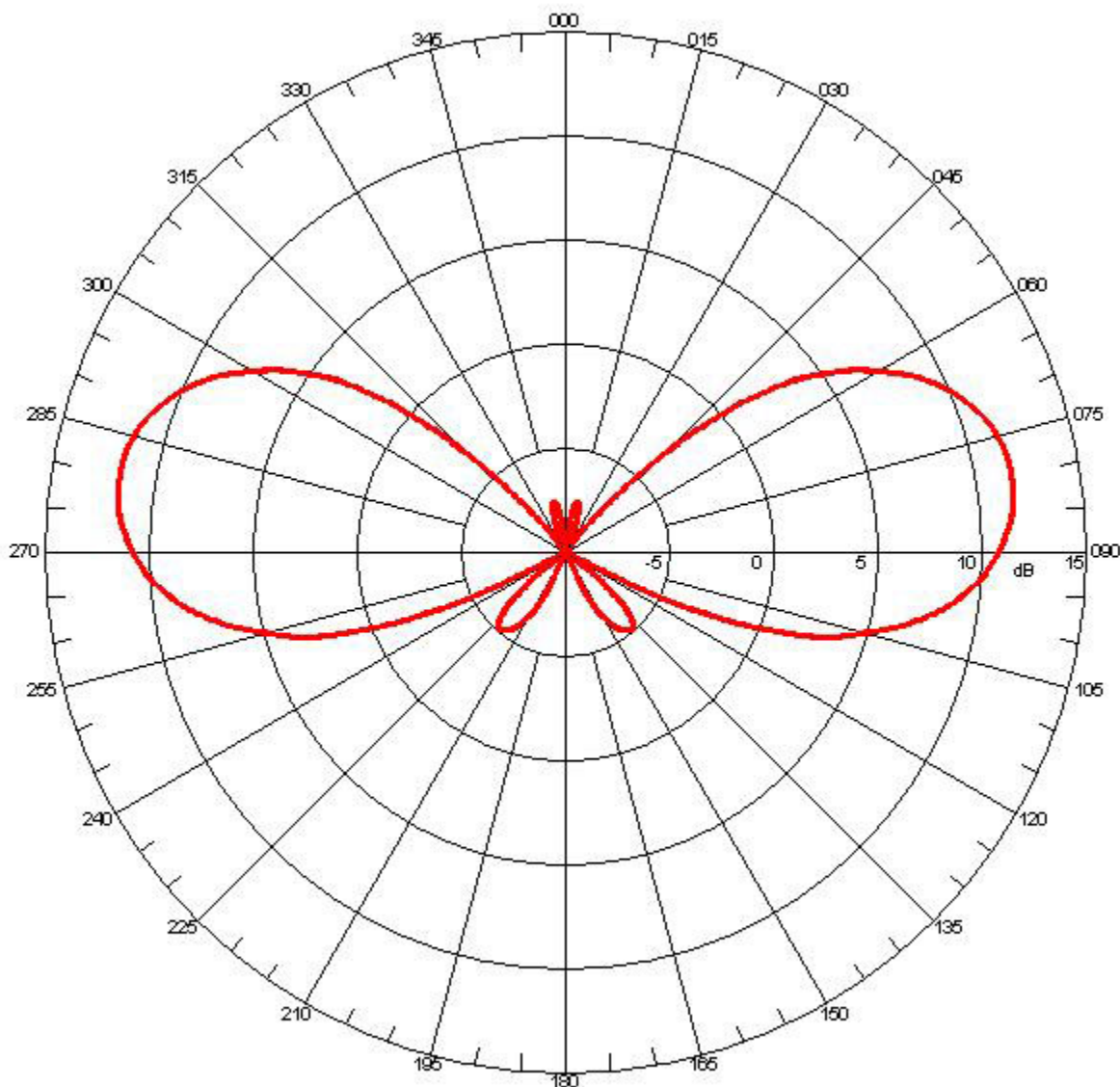
- Filter: Leusin Microwave P/N: FB3000-245
- BDC: Link Research P/N: L3025-1927



Antenna Specifications

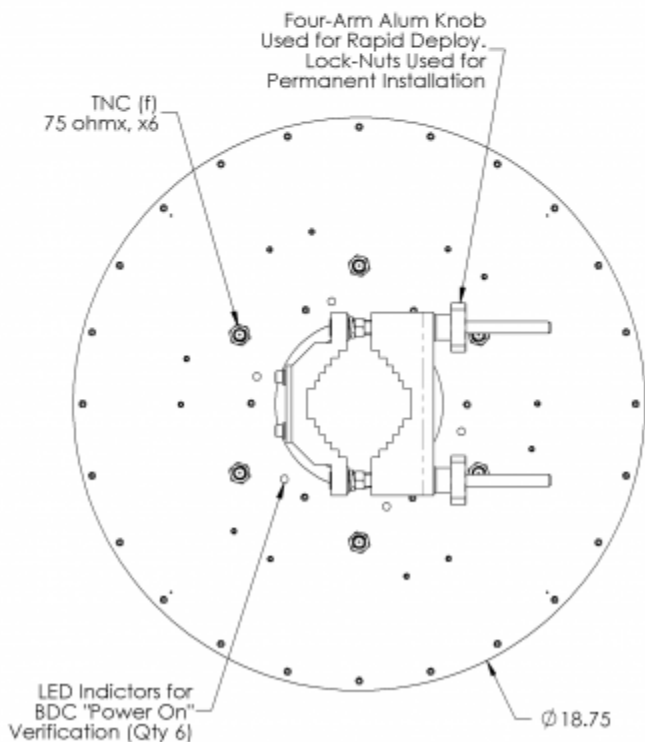
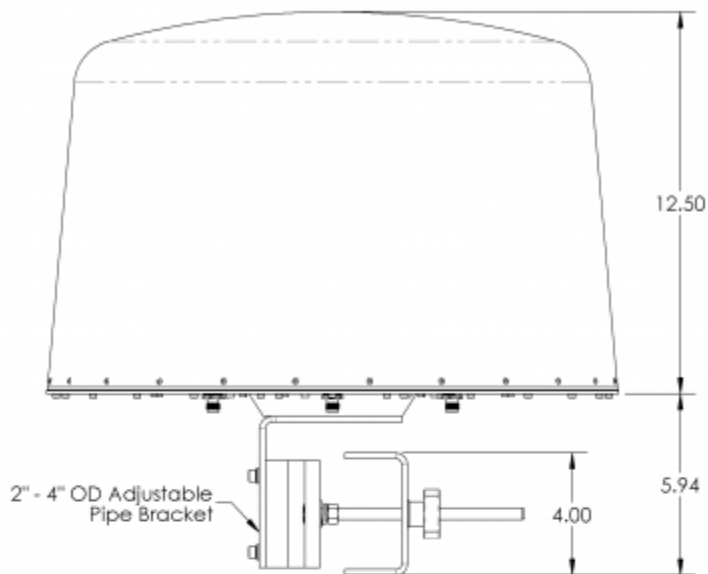
Parameter	Value	Units	Tolerance
Antenna Pattern	Omni Antenna		
Frequency Band	L & S		
Impedance	50	Ohms	
Minimum Frequency	2.36 / 2,360	GHz / MHz	
Maximum Frequency	2.4 / 2,400	GHz / MHz	
Frequency Bandwidth	0.04 / 40	GHz / MHz	
Maximum VSWR	2:1	Ratio	
Maximum Gain	12	dBi	Per Panel
Polarization	Vertical		
LED	6x LED Indicators for BDC "Power On"		
Horizontal (AZ) Beamwidth	60	Degrees	
Vertical (EL) Beamwidth	30	Degrees	

Parameter	Value	Units	Tolerance
Color	White		
Mount Style	2" - 4" OD Adjustable Pole/Pipe Mount Bracket		
Maximum Wind Velocity	75 / 120	mph / kph	
RF Connector Type	TNC(f)		
Product Height	12.50 / 317.50	inches / mm	
Product Diameter	18.75 / 476.25	inches / mm	
Product Weight	0.0 / 0.0	lbs / kg	TBD



Elevation Pattern

Referenced to 15 dBi



Engineering Drawing

All dimensions are in inches