

Overview

Southwest Antennas Part # 1085-212 is an omni-directional 10 Section Collinear dipole antenna that operates in the UHF band from 870 - 965 MHz and offers 12 dBi of peak gain.

This antenna features rugged construction and a tough fiberglass radome making it ideal for use in harsh outdoor conditions. The included mounting kit allows for secure connection to 1.5" - 3.5" OD pipes or masts.

Applications include permanent ground communication stations and temporary installations for short-term communication networks.

Features:

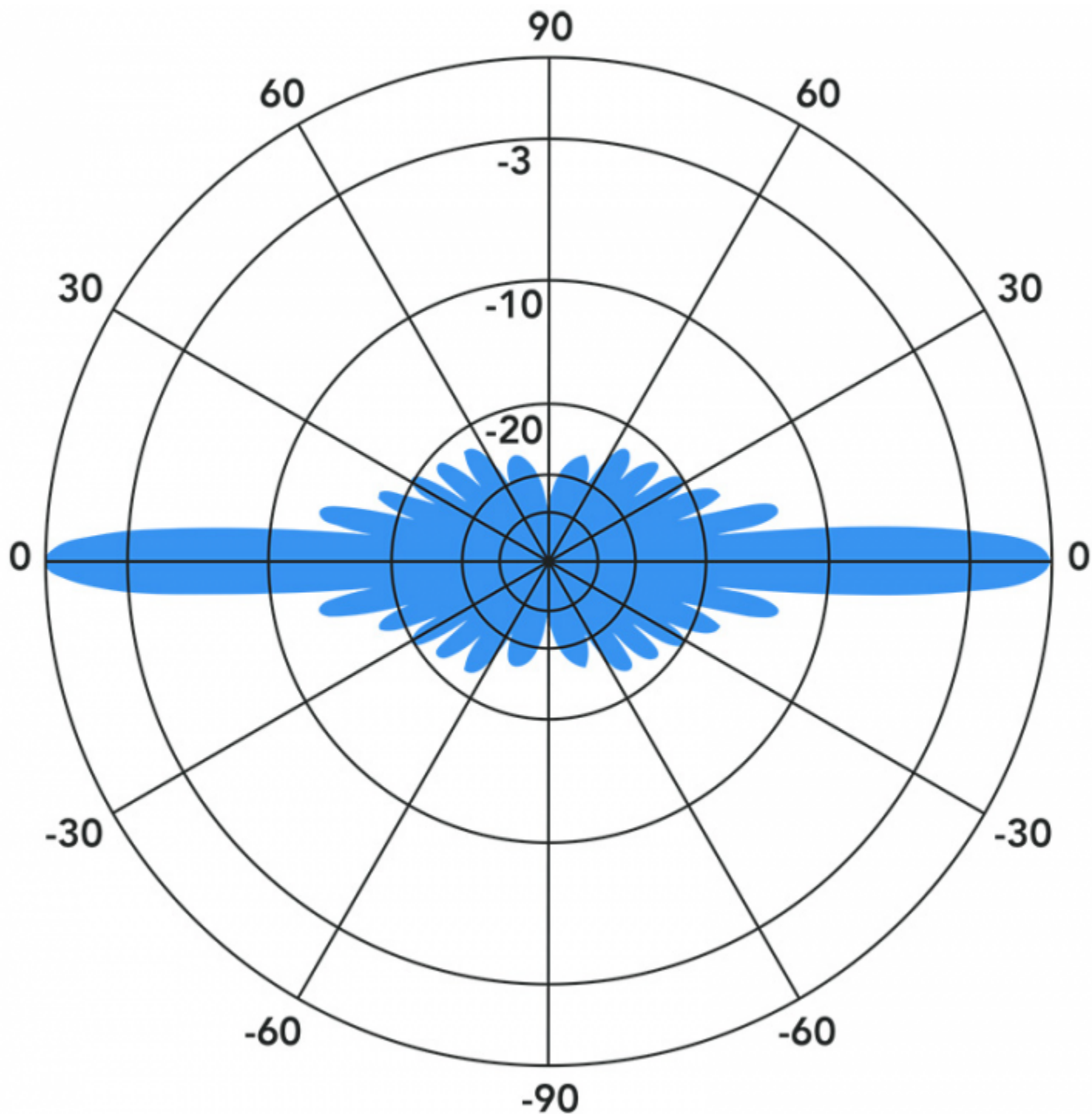
- UHF 10 Section Collinear Dipole Antenna
- 870 - 965 MHz
- 500W power handling
- 8 dBi Omni Radiation Pattern
- Rugged Construction for Harsh Outdoor Conditions
- Type-N(f) RF Connector
- DC Ground Connection for Lighting Protection
- Included Mounting Kit for 1.5" - 3.5" OD Poles and Masts



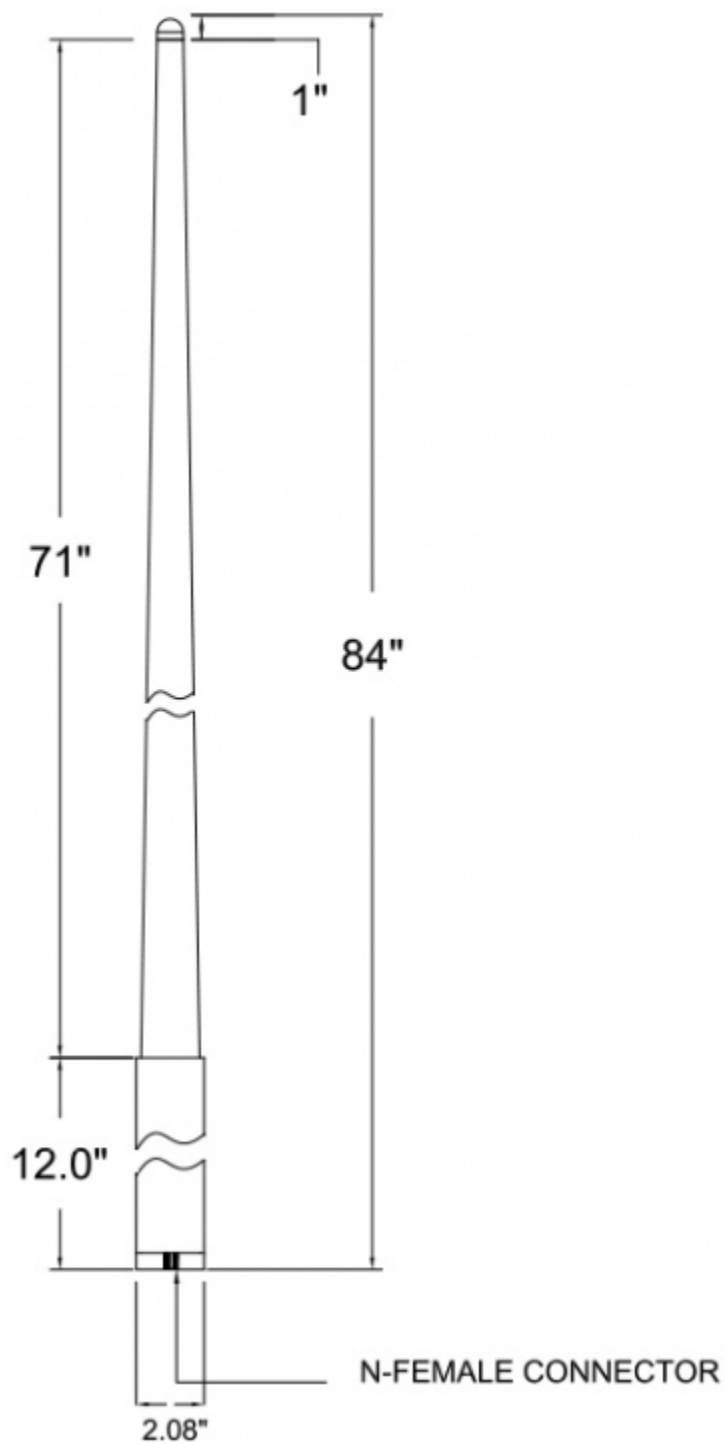
Antenna Specifications

Parameter	Value	Units	Tolerance
Antenna Pattern	Omni Antenna		
Frequency Band	UHF		
Impedance	50	Ohms	
Minimum Frequency	0.87 / 870	GHz / MHz	
Maximum Frequency	0.965 / 965	GHz / MHz	
Frequency Bandwidth	0.095 / 95	GHz / MHz	
Maximum VSWR	1.5:1	Ratio	
Maximum Gain	12	dBi	
Polarization	Vertical		
Maximum RF Input Power	500	Watts	
Horizontal (AZ) Beamwidth	360	Degrees	
Vertical (EL) Beamwidth	6	Degrees	
Ground Plane Required	No		
Radome Material	Fiberglass		
Color	Light Blue		
Mount Style	Dual clamp set for mounting to 1.5" to 3.5" OD support pipe		
Maximum Wind Velocity	200	mph	
RF Connector Type	Type-N(f)		
RF Cable Type	RG-213		
RF Cable Length	24.00 / 609.60	inches / mm	
Operating Temperature Range	-40 to +60	C	

Parameter	Value	Units	Tolerance
Product Length	83.00 / 2,108.20	inches / mm	
Product Diameter	2.38 / 60.33	inches / mm	
Product Weight	19.0 / 8.6	lbs / kg	Including Mount Kit



Elevation Pattern



Engineering Drawing

All dimensions are in inches