

## Overview

Southwest Antennas Part # 1085-192 is an omni-directional 8 Section Collinear dipole antenna that operates in the UHF band from 395 - 436 MHz and offers 10 dBi of peak gain.

This antenna features rugged construction and a tough fiberglass radome making it ideal for use in harsh outdoor conditions. The included mounting kit allows for secure connection to 1.5" - 3.5" OD pipes or masts.

Applications include permanent ground communication stations, temporary installations for short-term communication networks, as well as federal government, business, and industrial use.

**Note:** Due to the large shipping size of this antenna, please call Southwest Antennas to purchase.

## Features:

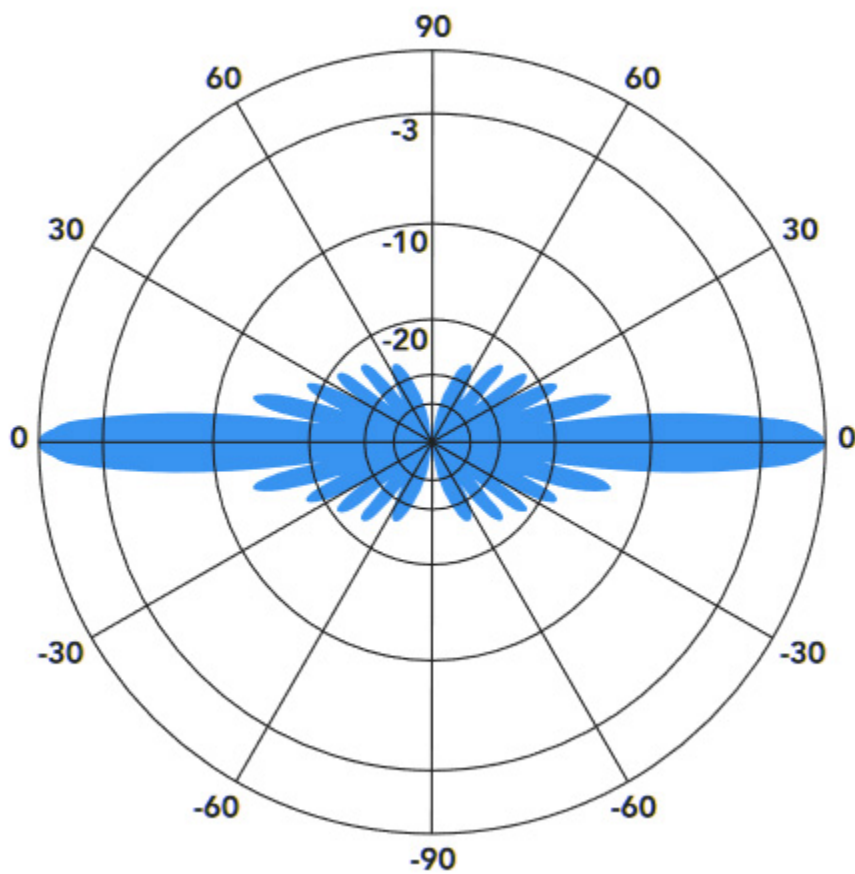
- UHF 8 Section Collinear Dipole Antenna
- 395 - 436 MHz
- 500W power handling
- 10 dBi Omni Radiation Pattern
- Rugged Construction for Harsh Outdoor Conditions
- Type-N(f) RF Connector
- DC Ground Connection for Lighting Protection
- Included Mounting Kit for 1.5" - 3.5" OD Poles and Masts



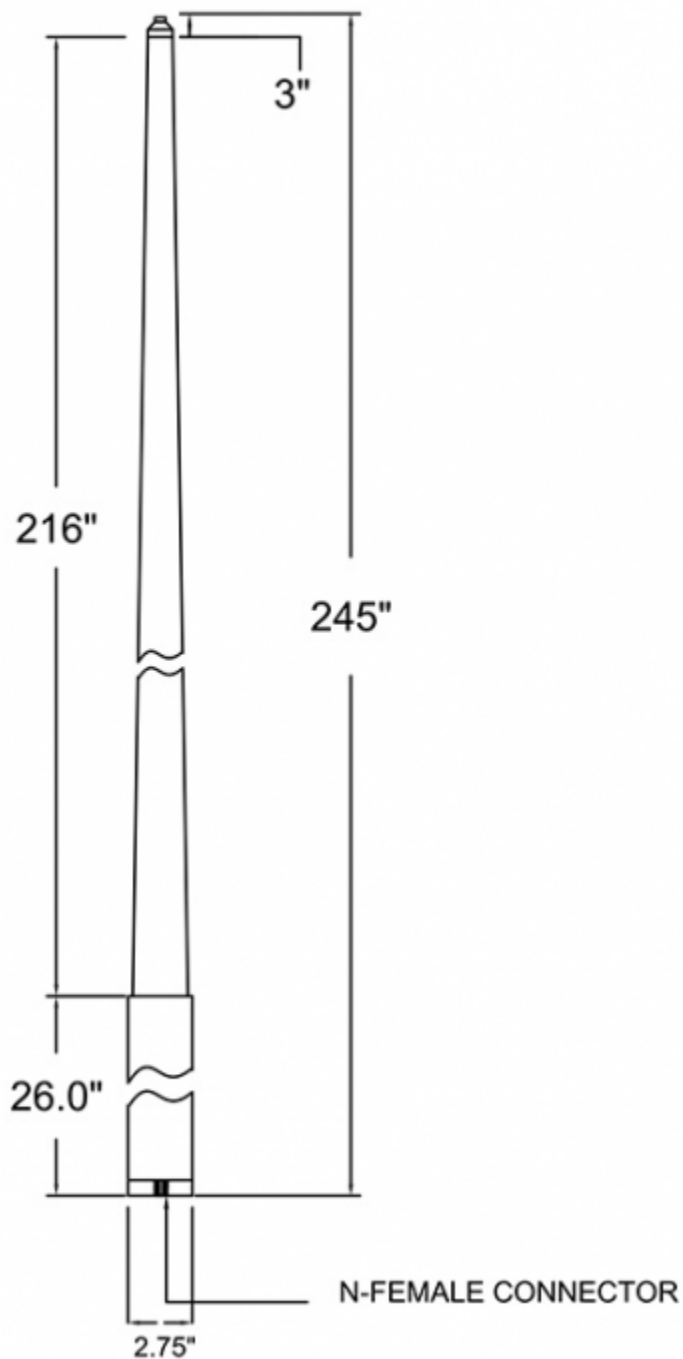
### Antenna Specifications

Parameter	Value	Units	Tolerance
<b>Antenna Pattern</b>	Omni Antenna		
<b>Frequency Band</b>	UHF		
<b>Impedance</b>	50	Ohms	
<b>Minimum Frequency</b>	0.395 / 395	GHz / MHz	
<b>Maximum Frequency</b>	0.436 / 436	GHz / MHz	
<b>Frequency Bandwidth</b>	0.041 / 41	GHz / MHz	
<b>Maximum VSWR</b>	1.5:1	Ratio	
<b>Maximum Gain</b>	10	dBi	
<b>Polarization</b>	Vertical		
<b>Maximum RF Input Power</b>	500	Watts	
<b>Horizontal (AZ) Beamwidth</b>	360	Degrees	
<b>Vertical (EL) Beamwidth</b>	11	Degrees	
<b>Ground Plane Required</b>	No		
<b>Radome Material</b>	Fiberglass		
<b>Color</b>	Light Blue		
<b>Mount Style</b>	Dual clamp set for mounting to 1.5" to 3.5" OD support pipe		
<b>Maximum Wind Velocity</b>	150	mph	
<b>RF Connector Type</b>	Type-N(f)		
<b>RF Cable Type</b>	RG-213		
<b>RF Cable Length</b>	24.00 / 609.60	inches / mm	
<b>Operating Temperature Range</b>	-40 to +60	C	

Parameter	Value	Units	Tolerance
<b>Product Length</b>	240.00 / 6,096.00	inches / mm	
<b>Product Diameter</b>	2.75 / 69.85	inches / mm	
<b>Product Weight</b>	40.0 / 18.1	lbs / kg	Including Mount Kit



**Elevation Pattern**



**Engineering Drawing**

All dimensions are in inches