

## Overview

Southwest Antennas Part # 1085-172 is an omni-directional 6 Section Collinear dipole antenna that operates in the VHF band from 161- 168 MHz and offers 8 dBi of peak gain.

This antenna features rugged construction and a tough fiberglass radome making it ideal for use in harsh outdoor conditions. The included mounting kit allows for secure connection to 1.5" - 3.5" OD pipes or masts.

Applications include permanent ground communication stations, temporary installations for short-term communication networks, state and local government radio systems, and law enforcement use.

**Note:** Due to the large shipping size of this antenna, please call Southwest Antennas to purchase.

## Features:

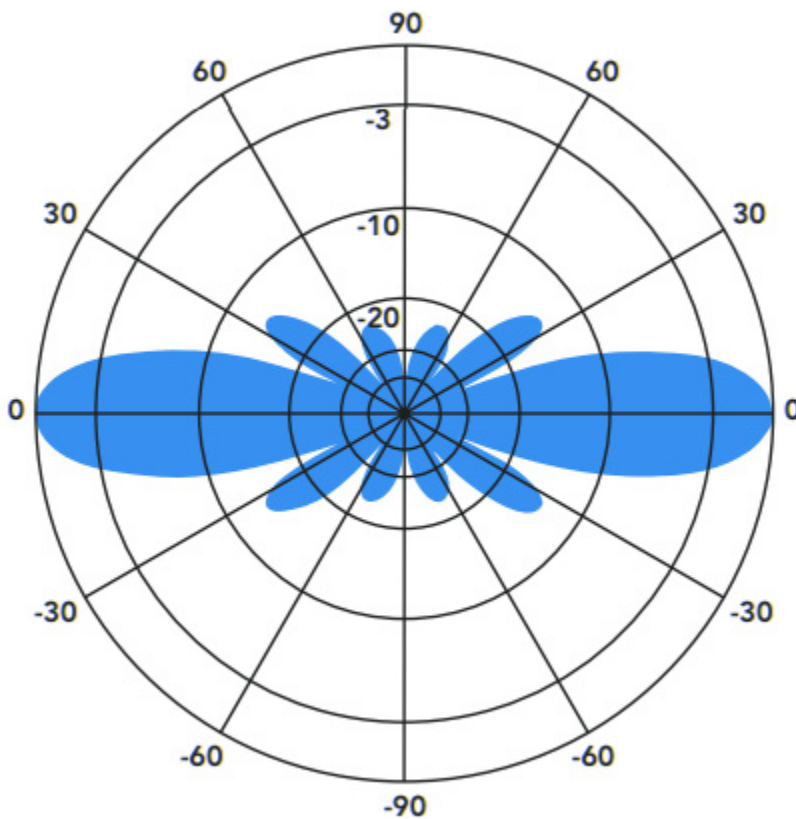
- VHF 6 Section Collinear Dipole Antenna
- 161 - 168 MHz
- 500W power handling
- 8 dBi Omni Radiation Pattern
- Rugged Construction for Harsh Outdoor Conditions
- Type-N(f) RF Connector
- DC Ground Connection for Lighting Protection
- Included Mounting Kit for 1.5" - 3.5" OD Poles and Masts



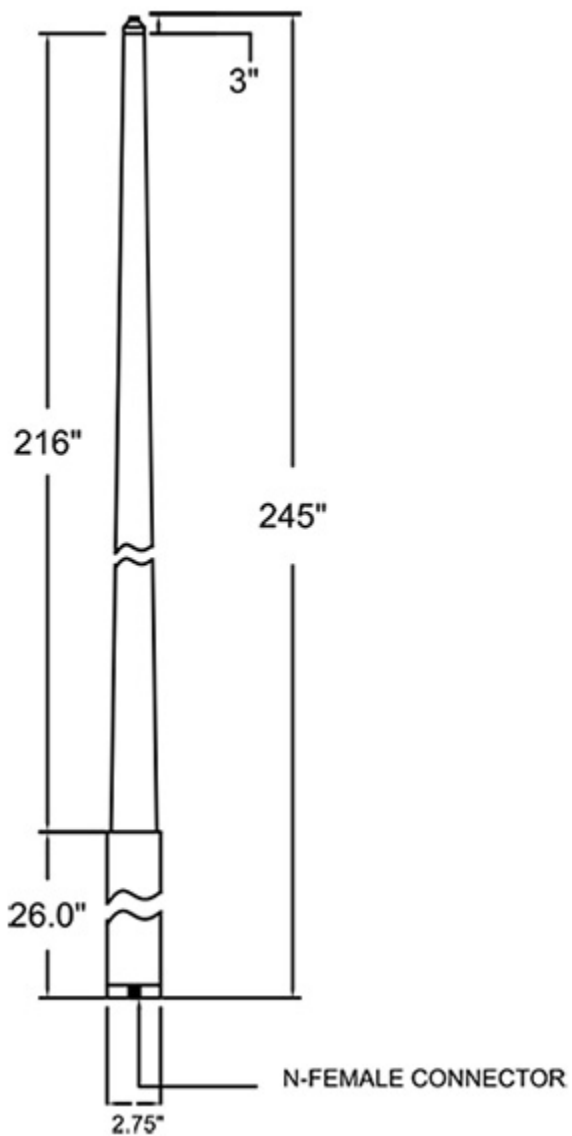
### Antenna Specifications

Parameter	Value	Units	Tolerance
Antenna Pattern	Omni Antenna		
Frequency Band	VHF		
Impedance	50	Ohms	
Minimum Frequency	0.161 / 161	GHz / MHz	
Maximum Frequency	0.168 / 168	GHz / MHz	
Frequency Bandwidth	0.007 / 7	GHz / MHz	
Maximum VSWR	1.5:1	Ratio	
Maximum Gain	8	dBi	
Polarization	Vertical		
Maximum RF Input Power	500	Watts	
Horizontal (AZ) Beamwidth	360	Degrees	
Vertical (EL) Beamwidth	20	Degrees	
Ground Plane Required	No		
Radome Material	Fiberglass		
Color	Light Blue		
Mount Style	Dual clamp set for mounting to 1.5" to 3.5" OD support pipe		
Maximum Wind Velocity	150	mph	
RF Connector Type	Type-N(f)		
RF Cable Type	RG-213		
RF Cable Length	24.00 / 609.60	inches / mm	
Operating Temperature Range	-40 to +60	C	

Parameter	Value	Units	Tolerance
<b>Product Length</b>	245.00 / 6,223.00	inches / mm	
<b>Product Diameter</b>	2.75 / 69.85	inches / mm	
<b>Product Weight</b>	41.0 / 18.6	lbs / kg	Including Mount Kit



Elevation Pattern



**Engineering Drawing**

All dimensions are in inches