

Overview

Southwest Antennas Part # 1055-310 is an antenna array designed to cover the 6.4 - 7.1 GHz frequency band. This antenna array features six panels configured to give complete 360 degree coverage around the array. Each panel features 60 degree azimuth beamwidth, 15 degree elevation beamwidth, and a peak gain of 15 dBi. A 5 degree panel uptilt allows for improved RF links with aircraft, especially at the horizon.

The included mounting kit allows for secure connection to poles from 2" to 4" OD.

This product is configured without block downconverters and can be used for both transmit and receive applications.

Features:

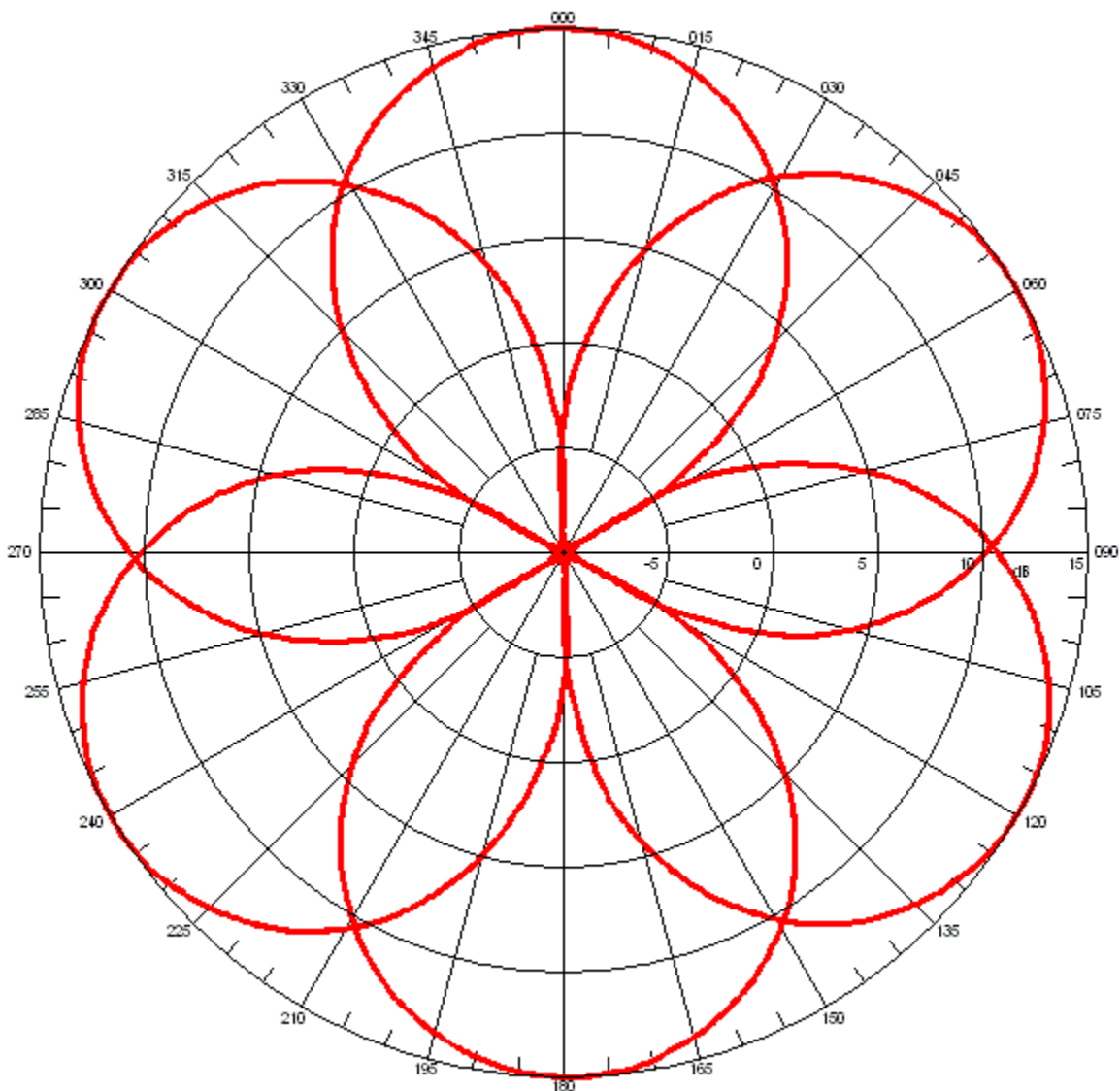
- 6 Panel Antenna Array
- Broad Band Coverage
- 6.4 - 7.1 GHz
- 15 dBi Gain Per Panel
- Rugged Kydex Radome
- 5° Uptilt for Improved Coverage
- Fully Maintainable
- Mounting Kit for Permanent & Temporary Mounting Included

Note: Product does not include internal BDCs. Impedance is set at 50 ohms.



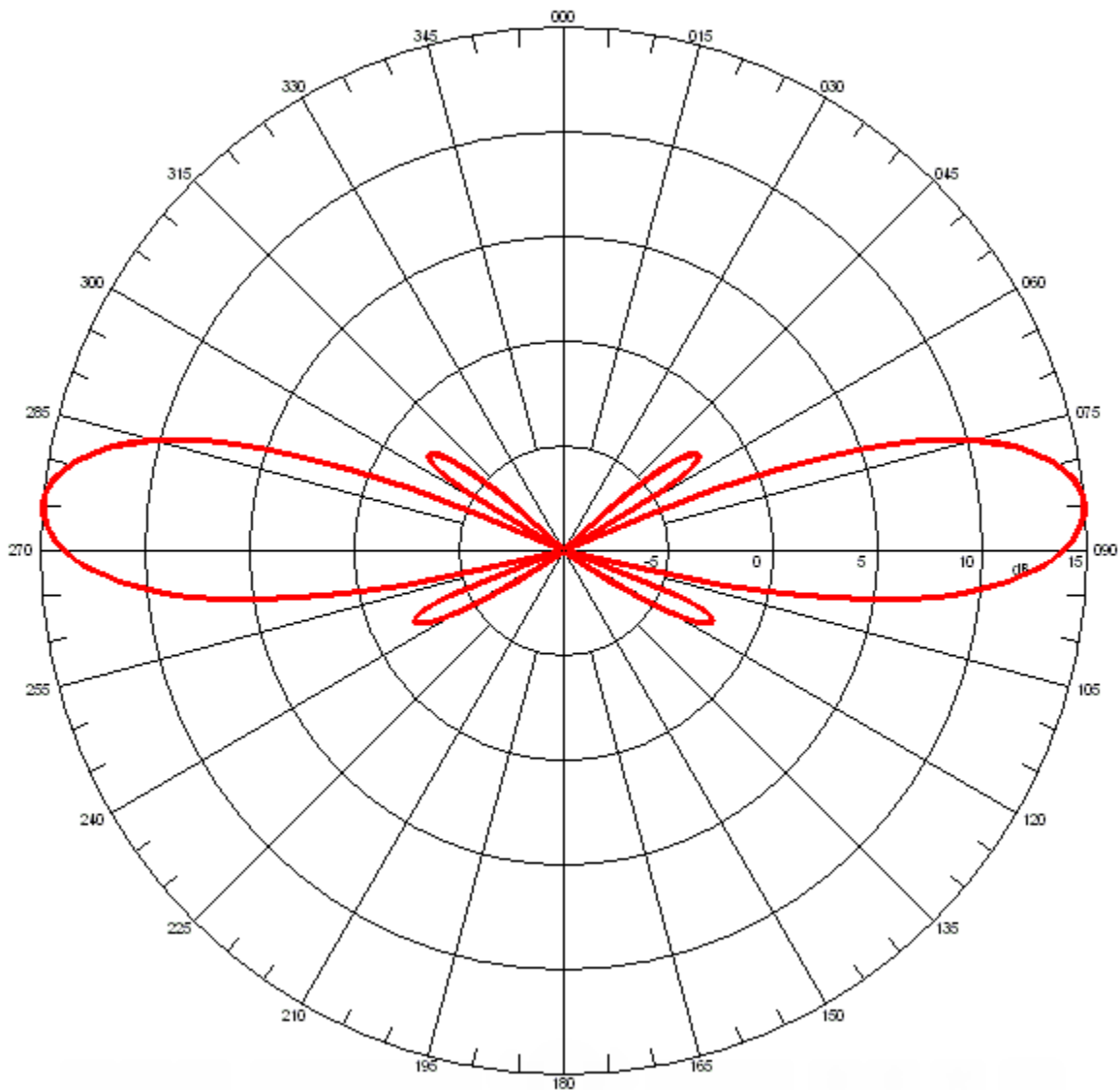
Antenna Specifications

Parameter	Value	Units	Tolerance
Antenna Pattern	Omni Antenna		
Frequency Band	C		
Impedance	50	Ohms	
Minimum Frequency	6.425 / 6,425	GHz / MHz	
Maximum Frequency	7.125 / 7,125	GHz / MHz	
Frequency Bandwidth	0.7 / 700	GHz / MHz	
Maximum VSWR	2:1	Ratio	
Maximum Gain	15	dBi	
Polarization	Vertical		
Horizontal (AZ) Beamwidth	60	Degrees	Per Panel
Vertical (EL) Beamwidth	15	Degrees	Per Panel
Color	White		
Mount Style	Adjustable Mount, 2" - 4" OD Pipe Bracket		
Maximum Wind Velocity	100 / 161	mph / kph	
RF Connector Type	TNC(f)		
Product Height	9.47 / 240.54	inches / mm	Not including mount kit
Product Diameter	11.07 / 281.18	inches / mm	
Product Weight	12.5 / 5.7	lbs / kg	



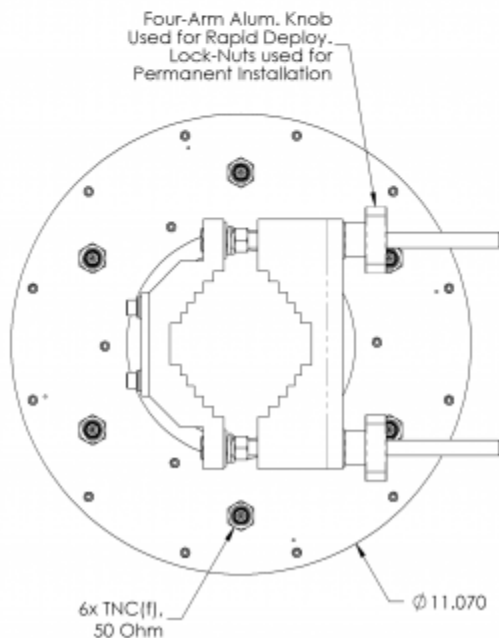
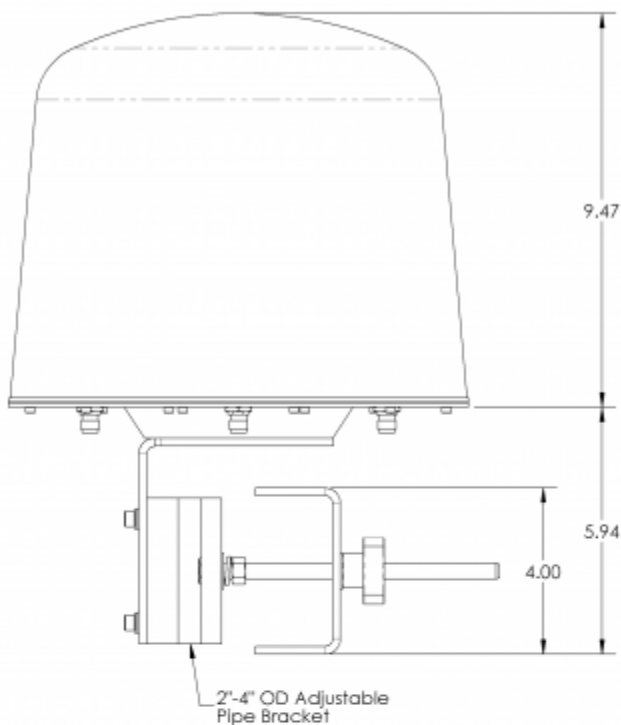
Azimuth Pattern

Referenced to +15 dBi



Elevation Pattern

Referenced to +15 dBi



Engineering Drawing

All dimensions are in inches