

Overview

Southwest Antennas Part # 1087-070 is a 6.25 - 6.75 GHz omni-directional antenna featuring a 4 section collinear element design, delivering 6 dBi of peak gain across the operating band. This antenna features an integrated 2.36" diameter flange mount base and lock-wired screws for secure mounting to airframes or other vibrating platforms.

Features:

- Broad Band Coverage
- 4 Section Collinear
- 6.25 - 6.75 GHz
- 50W Power Handling
- 6 dBi Omni Radiation Pattern
- Rugged Construction Low Glare Black Fiberglass Radome
- Flange Mount Base



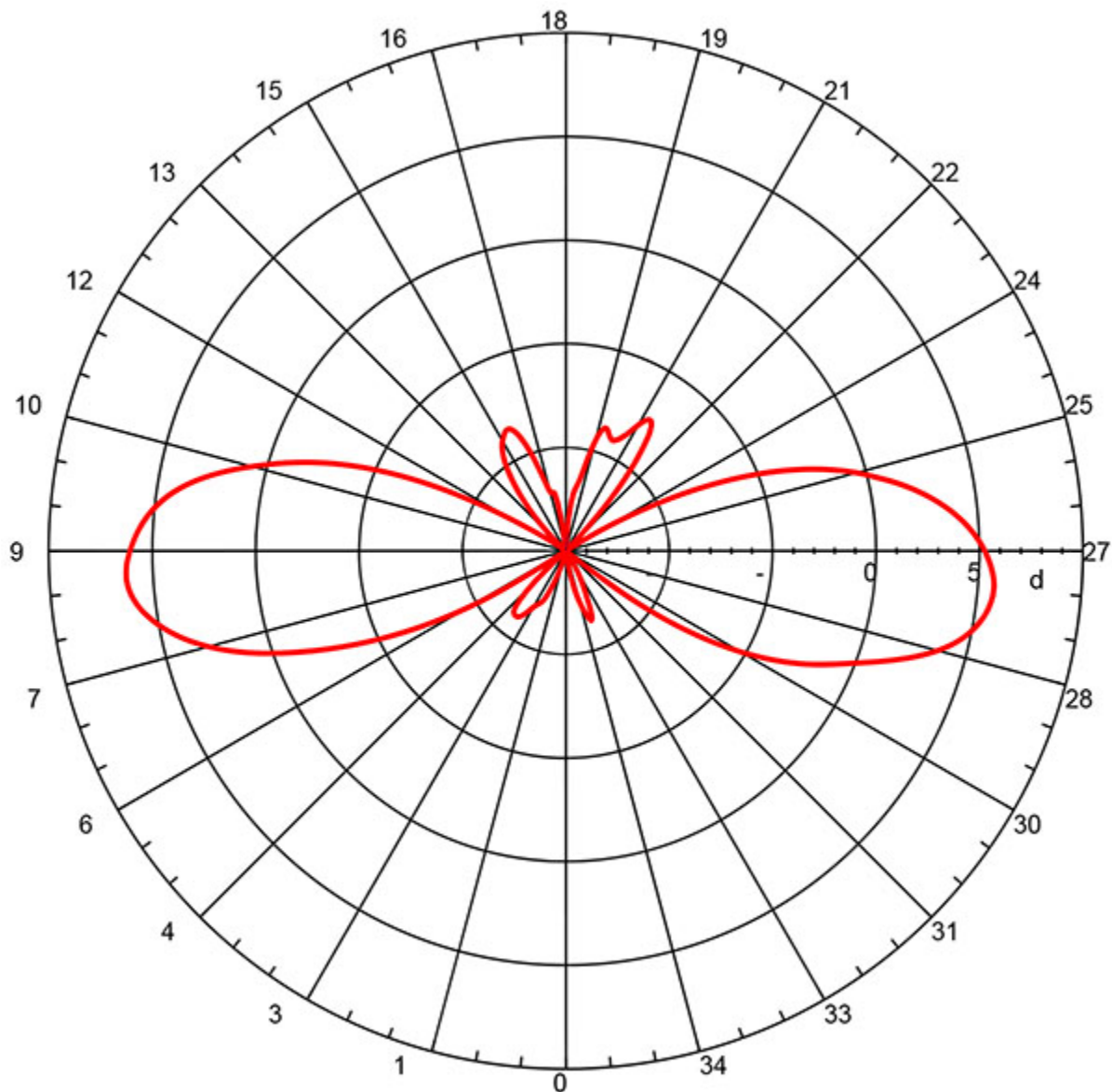
Antenna Specifications

Parameter	Value	Units	Tolerance
Antenna Pattern	Omni Antenna		
Frequency Band	C		
Impedance	50	Ohms	
Minimum Frequency	6.25 / 6,250	GHz / MHz	
Maximum Frequency	6.75 / 6,750	GHz / MHz	
Frequency Bandwidth	0.5 / 500	GHz / MHz	
Maximum VSWR	2:1	Ratio	
Maximum Gain	6	dBi	
Polarization	Vertical		
Maximum RF Input Power	50	Watts	
Horizontal (AZ) Beamwidth	360	Degrees	
Vertical (EL) Beamwidth	30	Degrees	
Ground Plane Required	No		
Color	Black		
Mount Style	Flange Mount		
Mounting Holes or Studs	4x .205 Diameter		
Mount Diameter	2.36 / 59.99	inches / mm	
Maximum Wind Velocity	124 / 200	mph / kph	
RF Connector Type	Type-N(f)		
Product Height	7.38 / 187.45	inches / mm	±0.13"
Product Diameter	0.81 / 20.62	inches / mm	+0.02" / -.000"



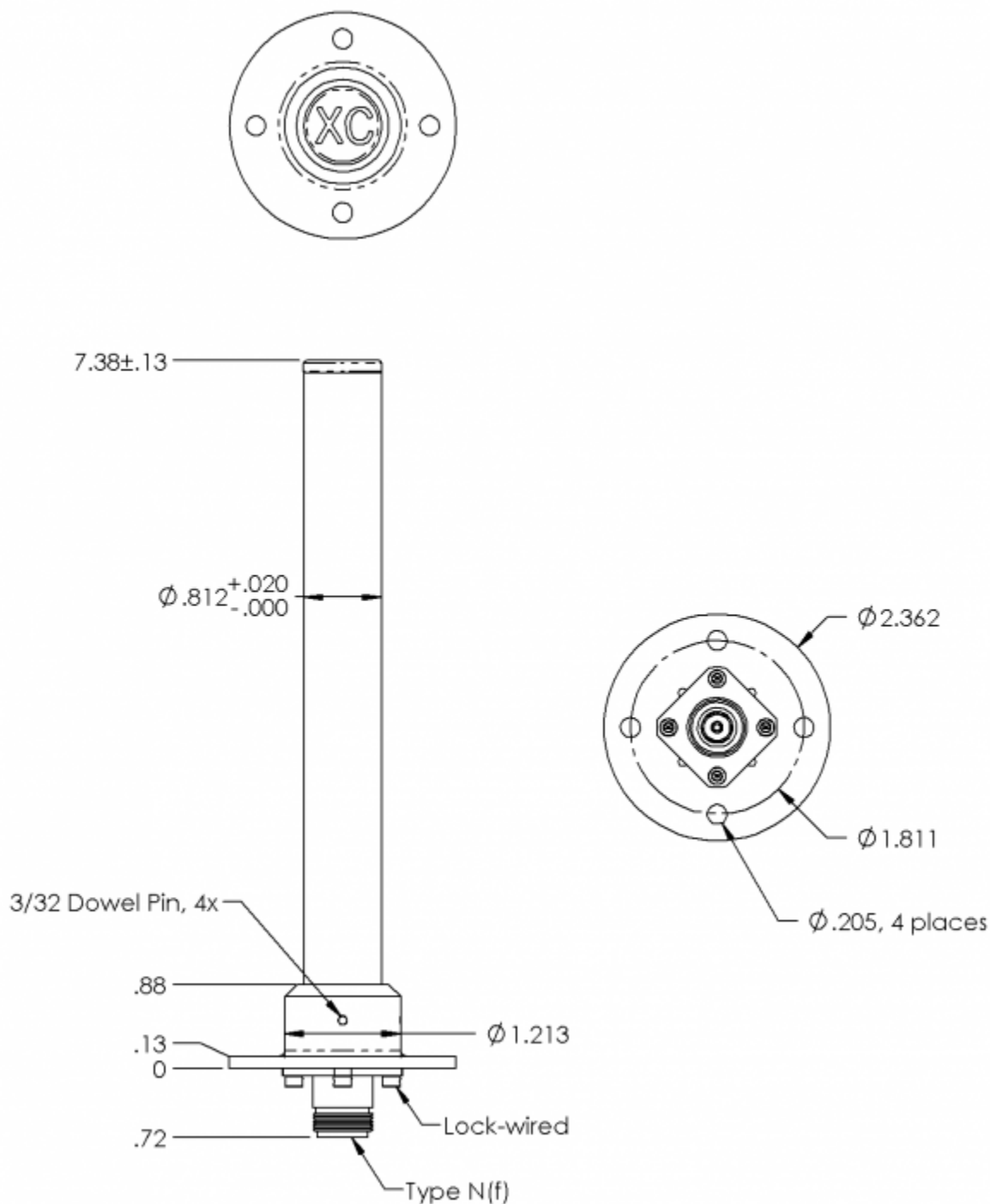
Part # 1087-070
Omni Antenna, 4 Section Collinear 6.25 - 6.75 Ghz, 6 dBi, Flange Mount

Parameter	Value	Units	Tolerance
Product Weight	5.0 / 141.7	oz / grams	



Elevation Pattern

Referenced to 10 dBi



Engineering Drawing

All dimensions are in inches