

Overview

Southwest Antennas Part # 1055-345 is a compact 2X2 sector antenna for multi-port MIMO / MANET radio systems. This antenna operates over the 4.4 - 5.0 GHz frequency band, with a peak gain of 10 dBi. Two antenna elements each with their own TNC(f) RF connector offer slant left and slant right polarizations, providing transmit and receive polarization diversity with 56° of beamwidth per element.

This antenna's compact size make it easy to discreetly mount anywhere inside or outside, utilizing the two # 10-32 X.41" studs on the back panel of the antenna.

Features:

- 2 Input 2X2 MIMO Antenna
- 56° Beamwidth
- Dual Polarized Design:
 - 1x Slant Left
 - 1x Slant Right
- 4.4 - 5.0 GHz
- 10 dBi Peak Gain
- 50W Power Handling
- Polar White UV Stable Kydex Radome
- Rated for Indoor or Outdoor Use
- Compact Size
- 2x # 10-32 X.41" Mounting Studs on Back Panel
- 2x TNC(f) RF Connectors



Applications:

- 2X2 MIMO / MANET Radio Systems
- Wireless Infrastructure Base Stations
- Planned City Wide / Urban Area Mesh Radio Networks
- Rapid Deploy Networks for Event Management and Security
- Emergency Management & Public Safety

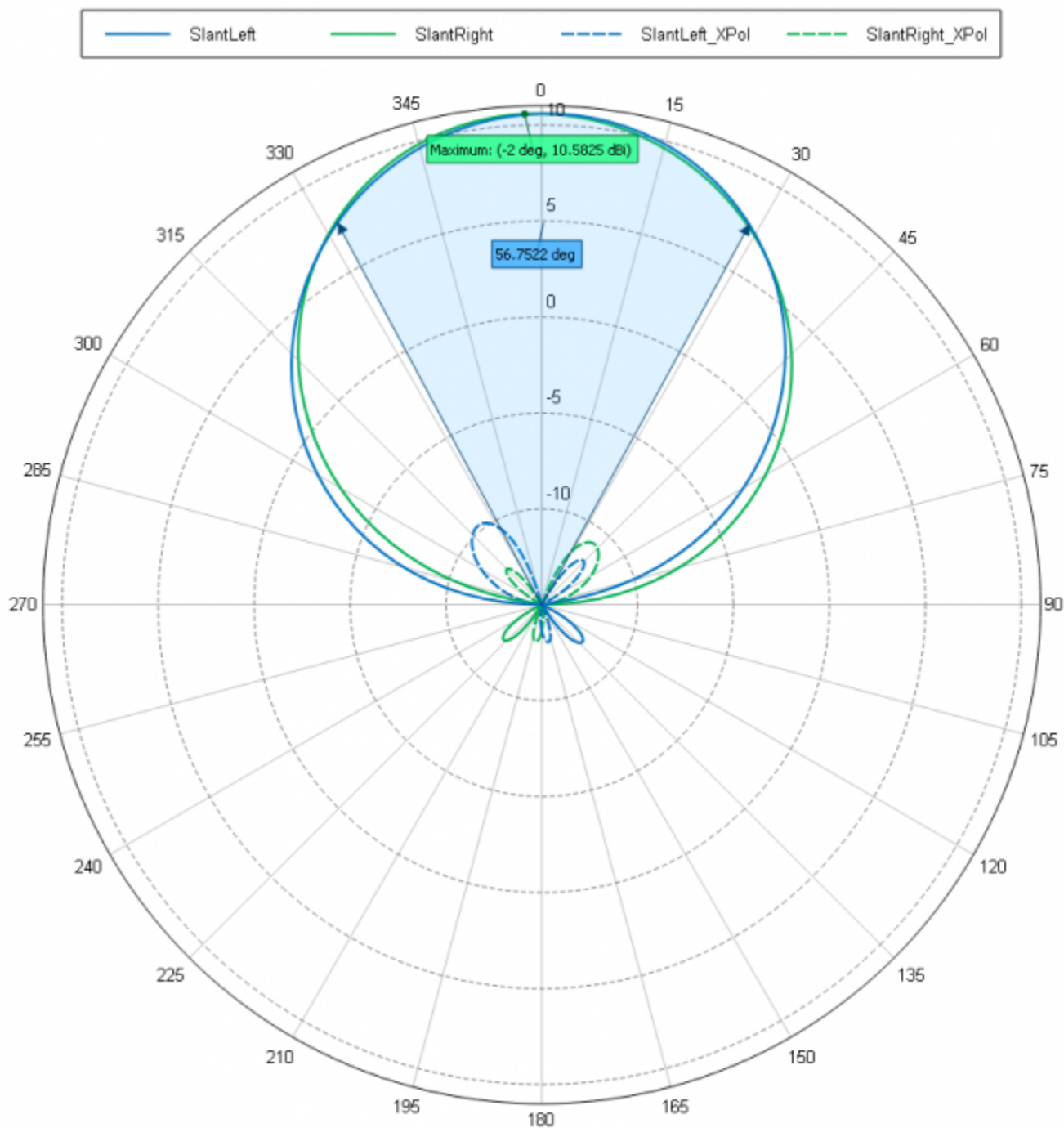
Antenna Specifications

Parameter	Value	Units	Tolerance
Antenna Pattern	Directional Antenna		
Frequency Band	C		
Impedance	50	Ohms	
Minimum Frequency	4.4 / 4,400	GHz / MHz	
Maximum Frequency	5.0 / 5,000	GHz / MHz	
Frequency Bandwidth	0.6 / 600	GHz / MHz	
Maximum VSWR	2.0:1	Ratio	
Maximum Gain	10	dBi	
Polarization	Slant L/R		
Maximum RF Input Power	50	Watts	Per Port
Horizontal (AZ) Beamwidth	56	Degrees	
Vertical (EL) Beamwidth	56	Degrees	
Ground Plane Required	No		
Radome Material	Kydex		
Color	White		
Mount Style	2X # 10-32 X .41" studs on back panel		
Maximum Wind Velocity	100 / 161	mph / kph	
RF Connector Type	TNC(f)		
Operating Temperature Range	-40 to +85	C	
Product Length	4.35 / 110.49	inches / mm	
Product Width	2.90 / 73.66	inches / mm	



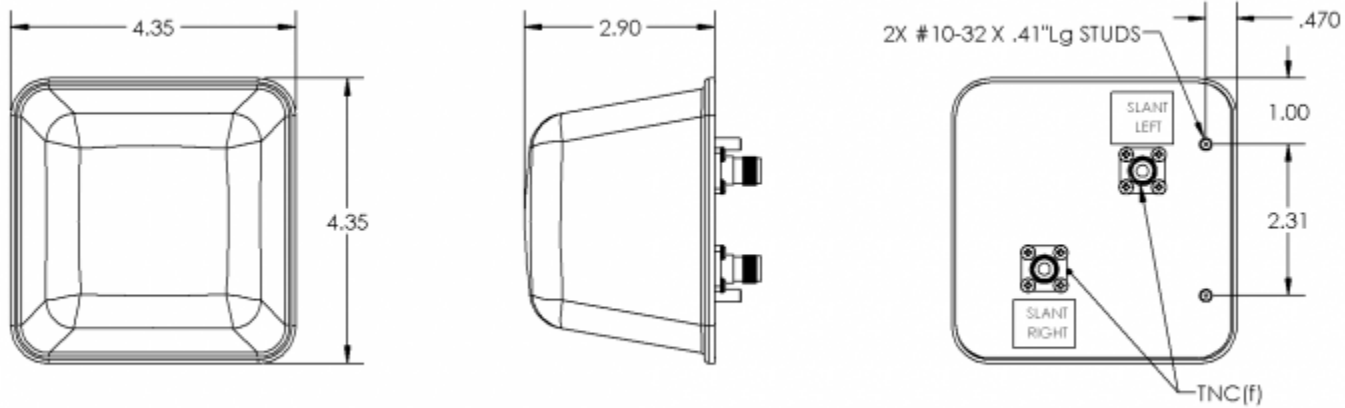
Part # 1055-345
2X2 MIMO 56° Sector Antenna, 4.4 - 5.0 GHz, Slant L/R Polarized, 10 dBi
Peak Gain

Parameter	Value	Units	Tolerance
Product Height	4.35 / 110.49	inches / mm	
Product Weight	7.5 / 212.6	oz / grams	



Slant Left & Slant Right Horizontal and Vertical Patterns

Referenced to +11 dBi



Engineering Drawing

All dimensions are in inches