

Overview

Southwest Antennas part # 1087-067 is an omni-directional bifilar antenna that operates from 4.4 - 5.0 GHz and offers 4.0 dBic of peak gain. This antenna features right hand circular polarization and a bifilar antenna element design that ensures complete overhead coverage without any "keyhole" in the radiation pattern.

A 2.362" diameter flange at the base of the antenna radome provides a secure mount, and lock-wired screws allow this antenna to be utilized on vibrating vehicles / airframes.

Features:

- Broad band coverage
- 4.4 - 5.0 GHz
- RHCP
- 4.0 dBic omni radiation pattern
- 20W Power Handling
- 3T "3 Turn"
- Pitch: 60.3%
- Rugged G10 radome
- Flange mount base with four mounting holes
- Lock-wired screws
- Type-N(f) RF connector



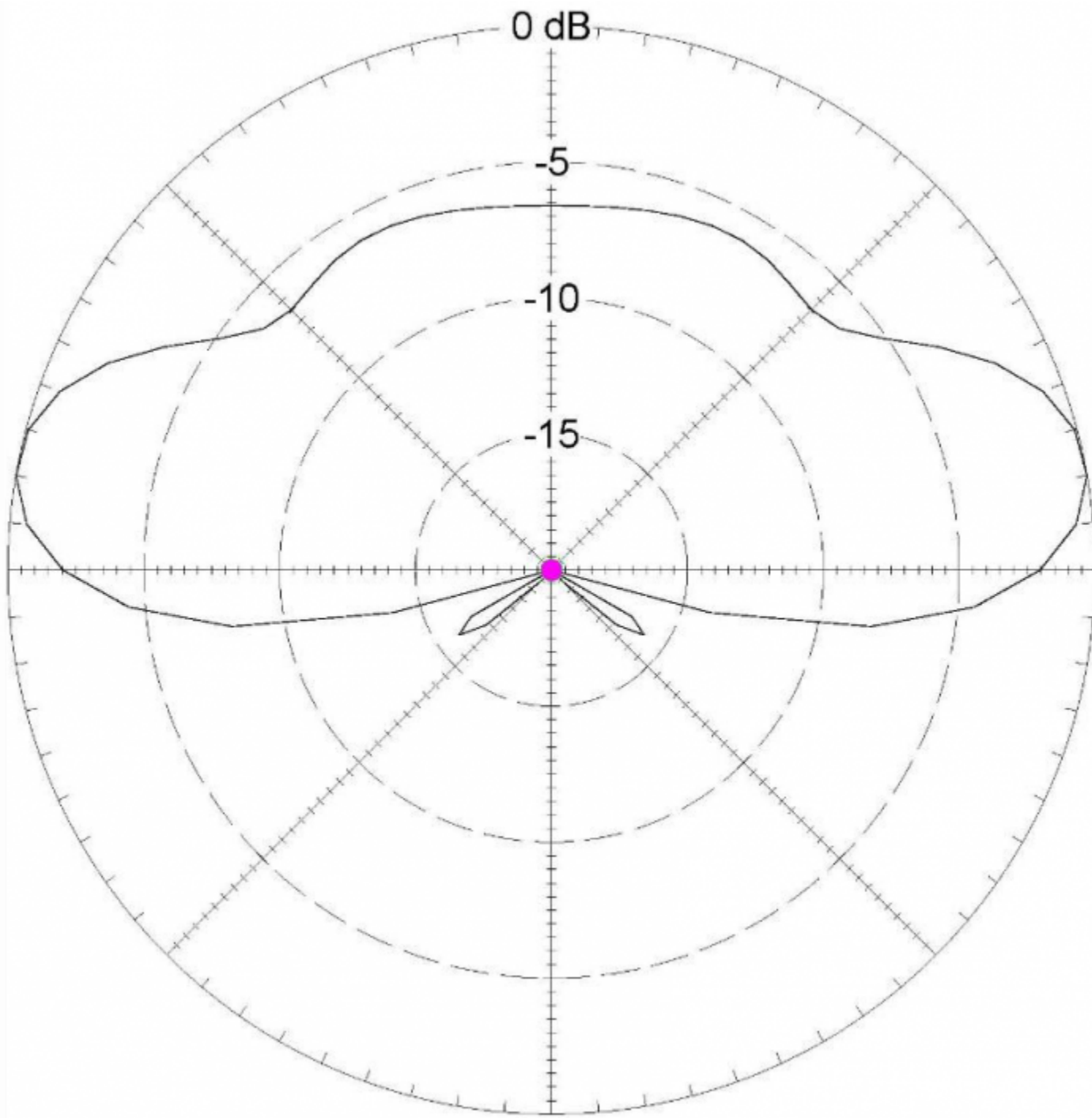
Antenna Specifications

Parameter	Value	Units	Tolerance
Antenna Pattern	Omni Antenna		
Frequency Band	C		
Impedance	50	Ohms	
Minimum Frequency	4.4 / 4,400	GHz / MHz	
Maximum Frequency	5.0 / 5,000	GHz / MHz	
Frequency Bandwidth	0.6 / 600	GHz / MHz	
Maximum VSWR	2:1	Ratio	
Maximum Gain	4.00	dBic	
Polarization	RHCP		
Maximum RF Input Power	20	Watts	
Horizontal (AZ) Beamwidth	360	Degrees	
Vertical (EL) Beamwidth	30	Degrees	
Ground Plane Required	No		
Color	Black		
Mount Style	Flange mount		
Mounting Holes or Studs	4x 0.205" diameter hole on flange		
Mount Diameter	2.36 / 59.99	inches / mm	
Maximum Wind Velocity	124 / 200	mph / kph	
RF Connector Type	Type-N(f)		
Product Height	6.63 / 168.40	inches / mm	±0.13"
Product Diameter	0.81 / 20.62	inches / mm	+0.02" / -.000"



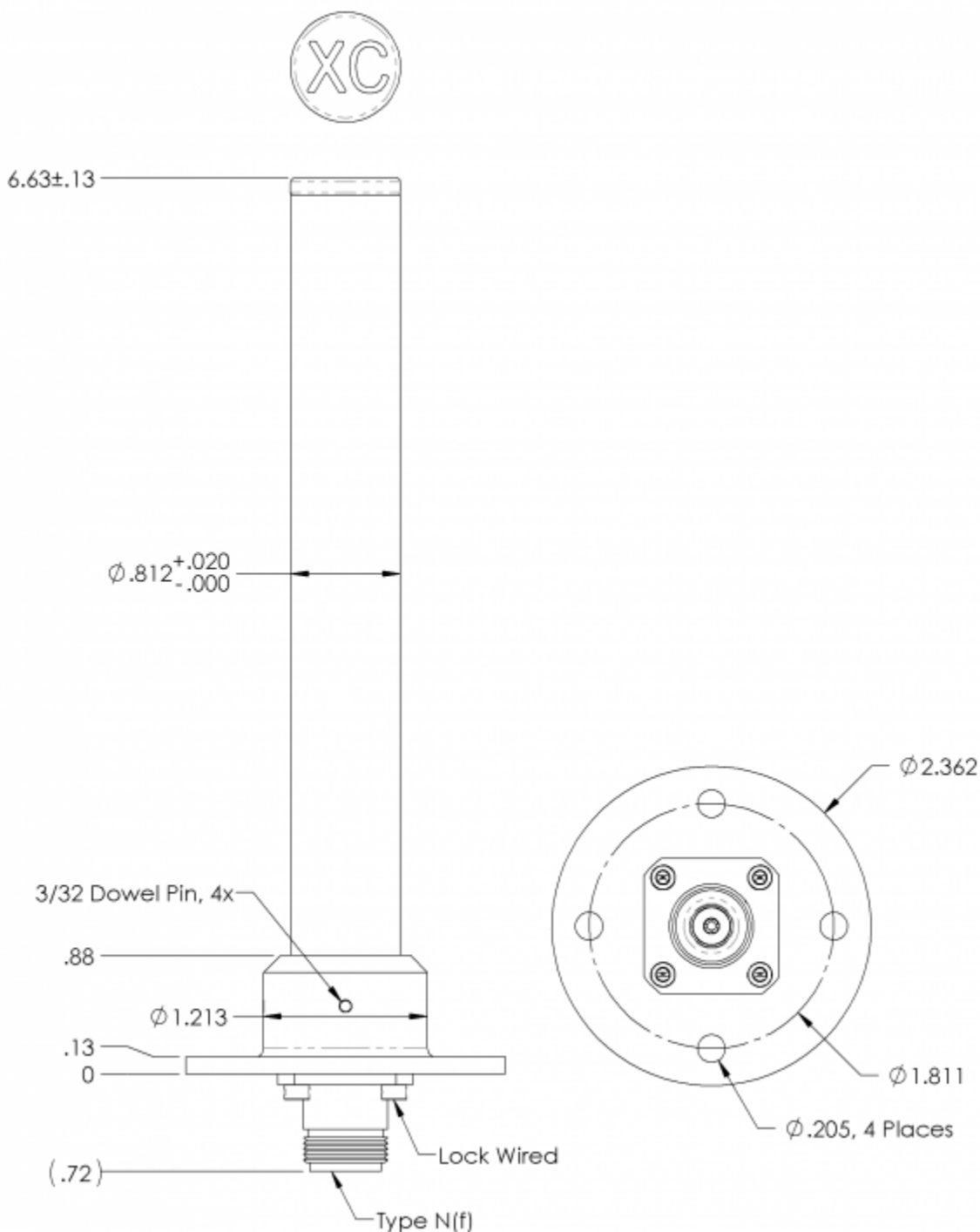
Part # 1087-067
Omni Bifilar Antenna, Circularly Polarized, 4.4 - 5.0 GHz, 4 dBic Gain,
Flange Mount

Parameter	Value	Units	Tolerance
Product Weight	5.9 / 168.4	oz / grams	



Elevation Pattern

referenced to 4 dBic



Engineering Drawing

All dimensions are in inches