

Overview

Southwest Antennas Part # 1081-012 is a three junction coax circulator with a minimum 20 dB isolation between 2 - 4 GHz and rated to 250 watts of peak forward power. Part # 1081-012 features SMA(f) RF connectors on both ports.

Part # 1081-012 is ideal for applications that use the following frequency bands:

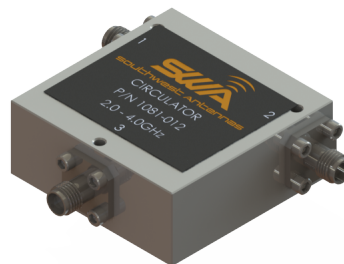
- 2.1 - 2.5 GHz
- 2.2 - 2.5 GHz
- 2.4 - 2.7 GHz

Features:

- 2 - 4 GHz frequency range
- 20 dB minimum isolation
- 250 watts maximum forward power
- SMA(f) RF connectors on all ports

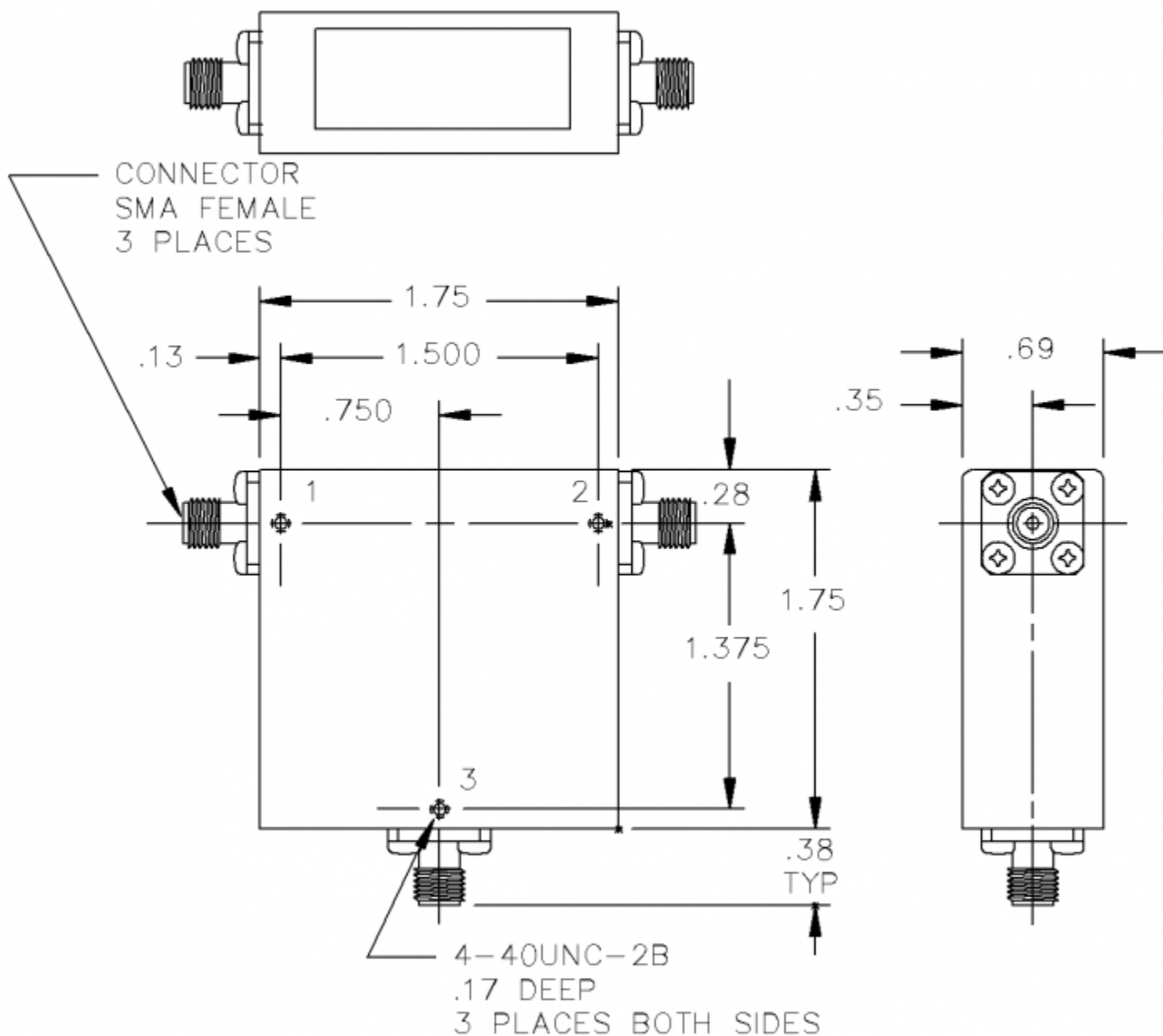
Applications:

- Military / DoD radio systems
- Federal and local law enforcement radio systems
- RF communication systems and wireless infrastructure
- Aircraft communication systems
- UAV / UGV communication systems



Product Specifications

Parameter	Value	Units	Tolerance
Frequency Band	S		
Impedance	50	Ohms	
Minimum Frequency	2.0 / 2,000	GHz / MHz	
Maximum Frequency	4.0 / 4,000	GHz / MHz	
Maximum VSWR	1.25:1	Ratio	
Insertion Loss	0.4	dB	Maximum
Isolation	20	dB	Minimum
Peak Power	250	watts	
Average Power	50	watts	
Mounting Holes or Studs	3x 4-40 UNC-2B threaded screw holes, both sides of product		
RF Connector Type	SMA(f)		
Operating Temperature Range	0 to +75	C	
Product Length	1.75 / 44.45	inches / mm	
Product Width	1.75 / 44.45	inches / mm	
Product Height	0.69 / 17.53	inches / mm	
Product Weight	5.3 / 150.0	oz / grams	



Engineering Drawing

All dimensions are in inches