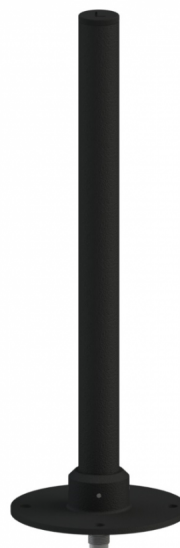


## Overview

Southwest Antennas Part # 1087-057 is a full wave dipole Omni antenna that operates in the 1.35 GHz - 1.39 GHz frequency band and features 4 dBi of gain. Overall antenna length is 10.19 inches, with an outside radome diameter of 0.812 inches. The antenna also features an integrated 3.5" flange mount base with lock-wired screw connection to the TNC(f) RF connector, making this antenna suitable for use with compatible aircraft and helicopter antenna mounts. This antenna is ideal for military or law enforcement applications, and can be paired with multi-antenna MIMO / MANET radio systems or used in single antenna system configurations.

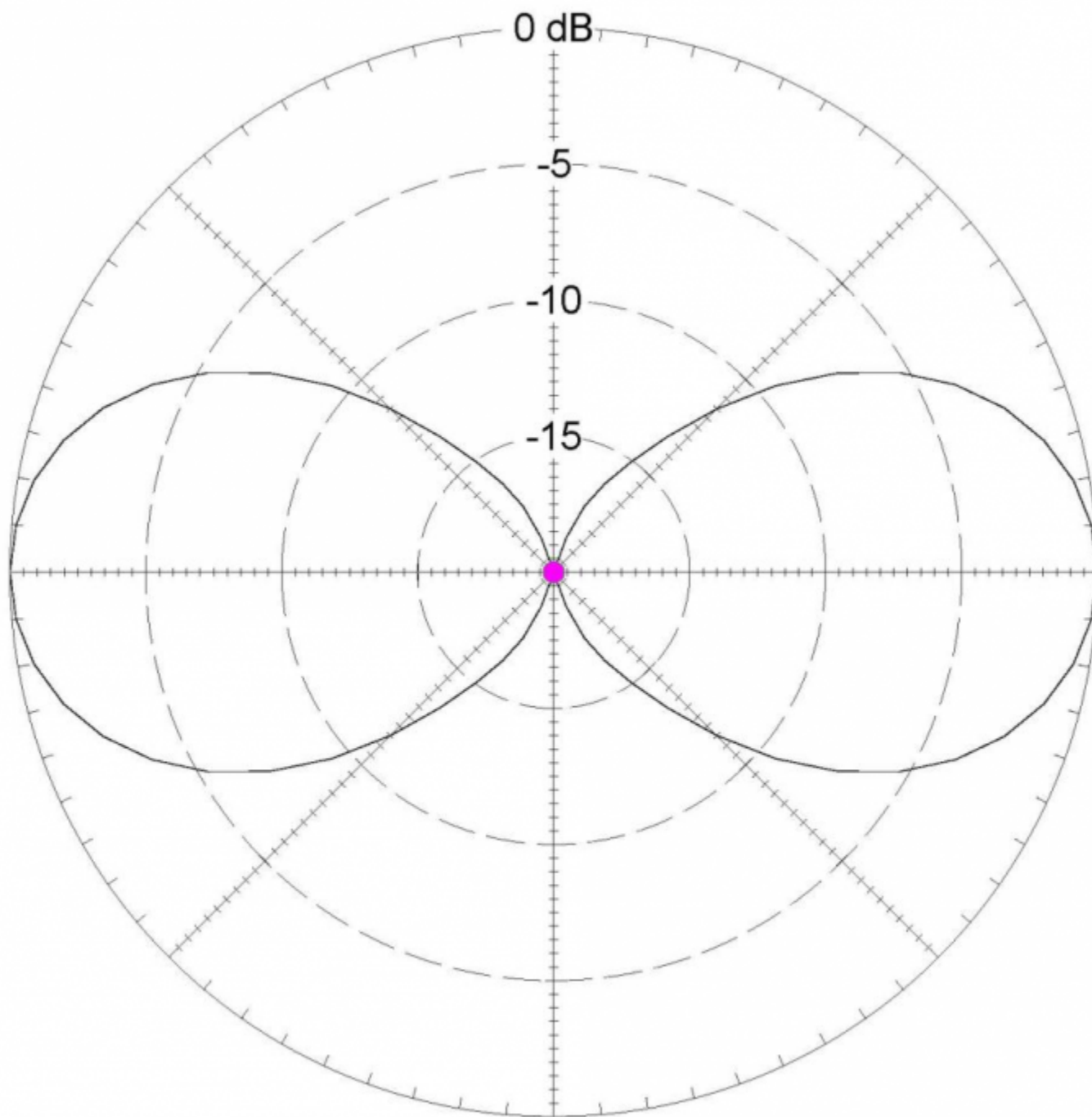
## Features:

- Broad Band Coverage
- Full Wave Dipole
- 1.35 - 1.39 GHz
- 50W power handling
- 4 dBi Omni Radiation Pattern
- Rugged Construction Low-Glare Black Radome
- End Cap Lettering "L"
- Flange Mount Base, 3.5" Diameter
- TNC(f) RF Connector with Lock-Wired Screws



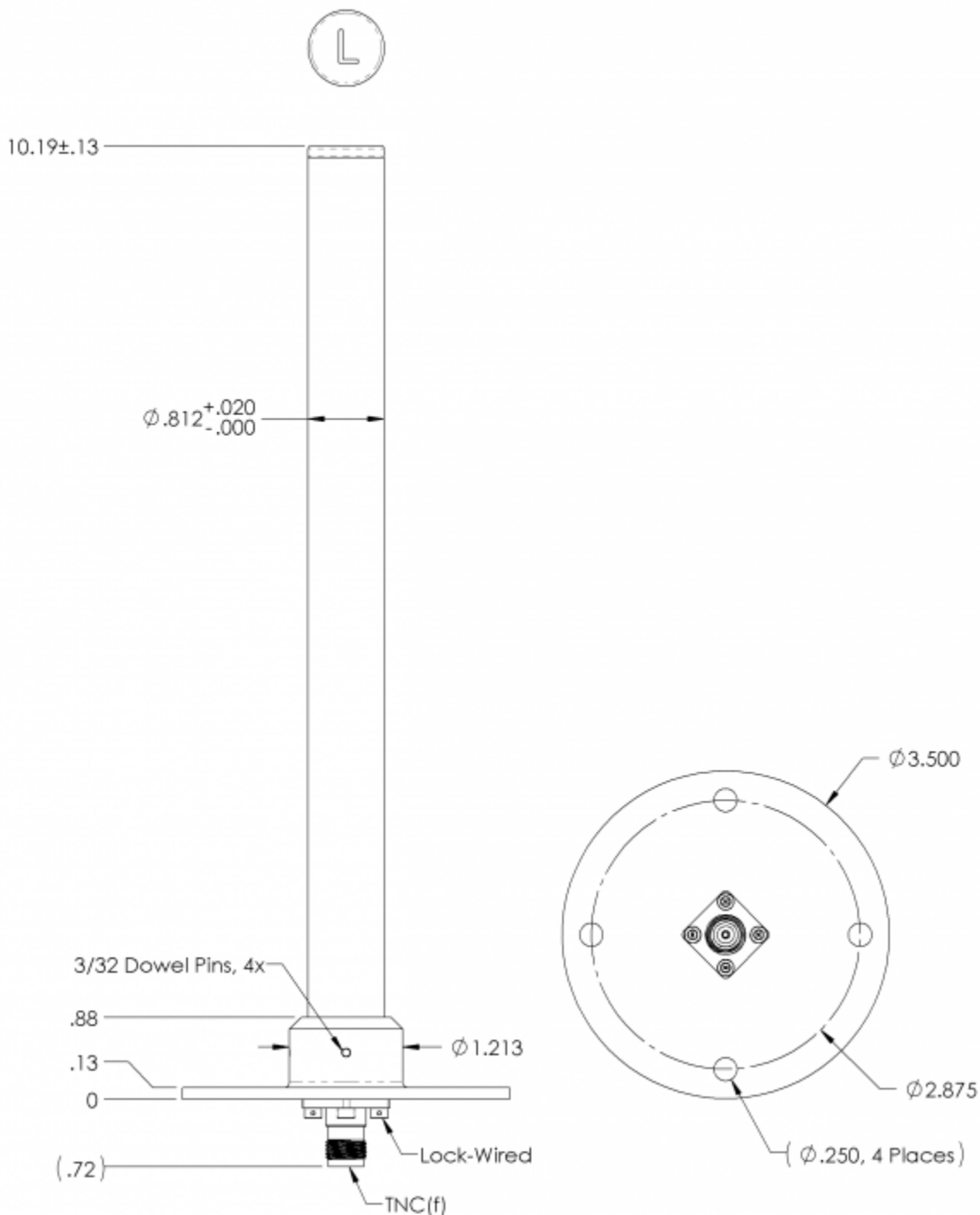
### Antenna Specifications

Parameter	Value	Units	Tolerance
Antenna Pattern	Omni Antenna		
Frequency Band	L		
Impedance	50	Ohms	
Minimum Frequency	1.35 / 1,350	GHz / MHz	
Maximum Frequency	1.39 / 1,390	GHz / MHz	
Frequency Bandwidth	0.04 / 40	GHz / MHz	
Maximum VSWR	2:1	Ratio	
Maximum Gain	4	dBi	
Polarization	Vertical		
Maximum RF Input Power	50	Watts	
Horizontal (AZ) Beamwidth	360	Degrees	
Vertical (EL) Beamwidth	45	Degrees	
Ground Plane Required	No		
Color	Black		
Mount Style	Flange Mount		
Mounting Holes or Studs	4x .250" Dia.		
Mount Diameter	3.50 / 88.90	inches / mm	
RF Connector Type	TNC(f)		
Product Height	10.19 / 258.83	inches / mm	±.13"
Product Diameter	0.81 / 20.62	inches / mm	+.020" / -.000"
Product Weight	5.0 / 141.7	oz / grams	



**Elevation Pattern**

Referenced to 4 dBi



### Engineering Drawing

All dimensions are in inches