

Features:

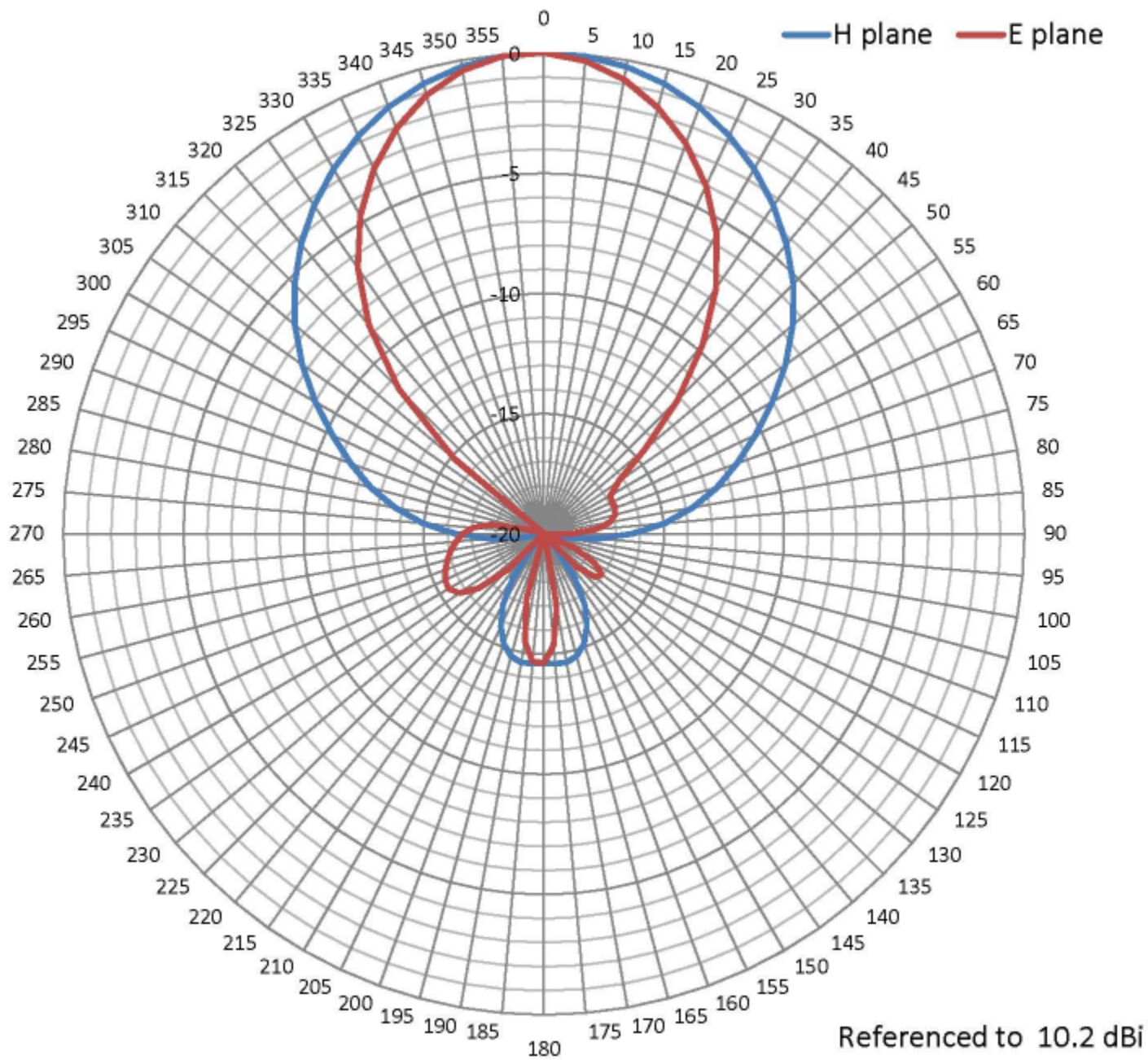
- Designed to be embedded inside of mobile receivers
- Dual circular patch dipoles
- Diversity reception
- Optimized for use from 6.425 to 6.525 GHz
- 10 dBi gain
- SMA(m) right angle RF connector
- ROHS compliant



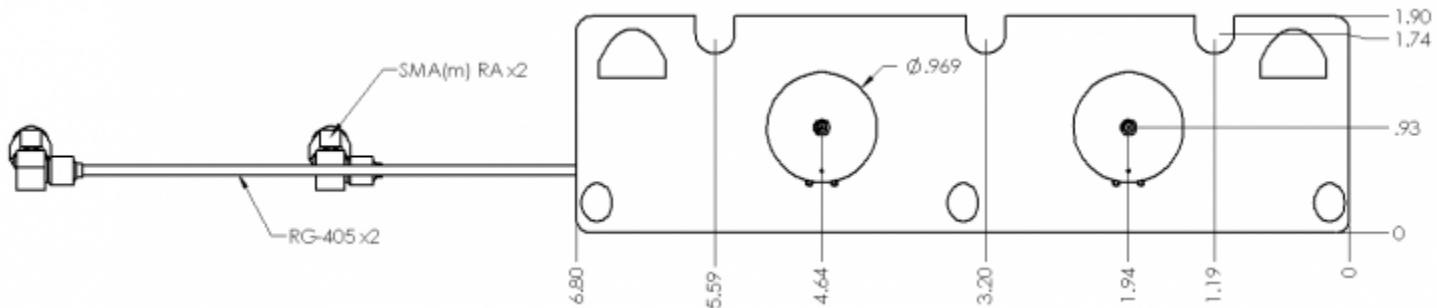
Antenna Specifications

Parameter	Value	Units	Tolerance
Antenna Pattern	Omni Antenna		
Frequency Band	C		
Impedance	50	Ohms	
Minimum Frequency	6.4 / 6,400	GHz / MHz	
Maximum Frequency	6.8 / 6,800	GHz / MHz	
Frequency Bandwidth	0.4 / 400	GHz / MHz	
Maximum VSWR	2:1	Ratio	
Maximum Gain	10	dBi	
Maximum RF Input Power	10	Watts	
Ground Plane Required	No		
RF Connector Type	SMA(m)		
RF Cable Type	RG-405		

Parameter	Value	Units	Tolerance
RF Cable Length	8.00 / 203.20	inches / mm	
Product Length	1.90 / 48.26	inches / mm	
Product Width	6.80 / 172.72	inches / mm	
Product Weight	0.3 / 8.5	oz / grams	



Azimuth and Elevation Patterns



Engineering Drawing

All dimensions are in inches