

## Overview

Southwest Antennas part # 1070-032 is a heavy-duty window mounting kit for omni antennas. The mount features an FAA-approved suction cup base with release lever and four independent ball sockets which allow for a wide variety of antenna positioning options. The adjustable rubber-coated clamp allows the mount to be used with omni antennas with a diameter of 0.50" to 2.0".

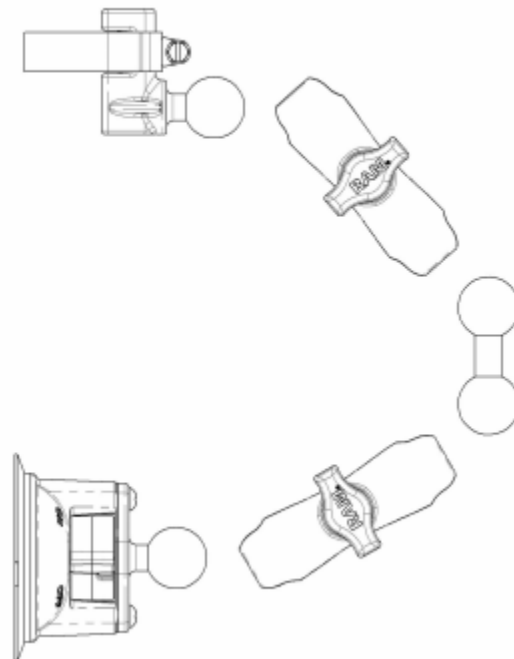
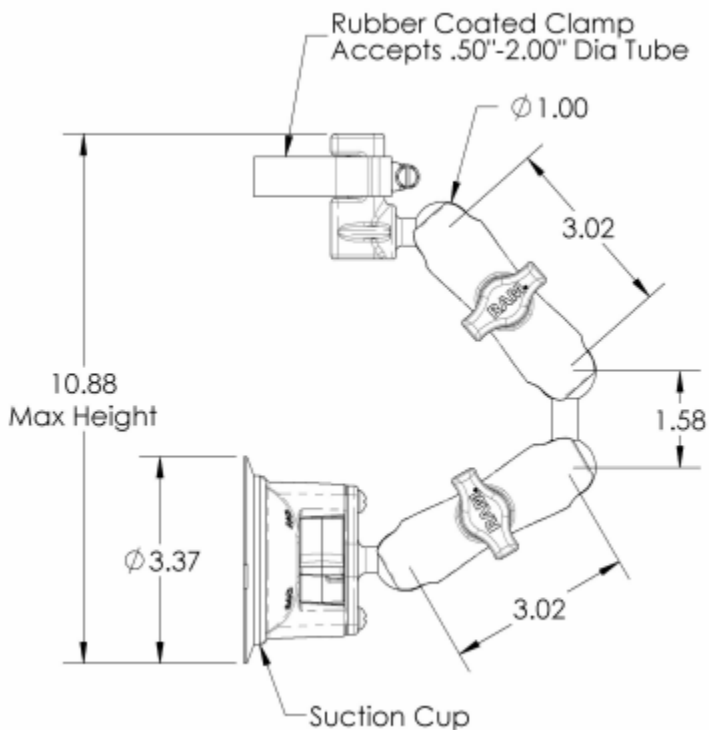
## Features:

- Heavy Duty FAA approved suction cup base with release lever
- Four independent ball sockets used for a wide variety of antenna placement options
- Adjustable rubber-coated clamp used to secure Omni Antenna to mounting kit
- Compatible with Omni Antennas with a diameter of 0.50" to 2.0"



**Antenna Mount Kits**

Parameter	Value	Units	Tolerance
<b>Mount Style</b>	Suction Cup, 10 lbs. pull strength		
<b>Mount Diameter</b>	3.37 / 85.60	inches / mm	
<b>Product Height</b>	10.88 / 276.35	inches / mm	
<b>Product Diameter</b>	3.37 / 85.60	inches / mm	
<b>Product Weight</b>	17.6 / 499.0	oz / grams	



**Engineering Drawing**

All dimensions are in inches