

Features:

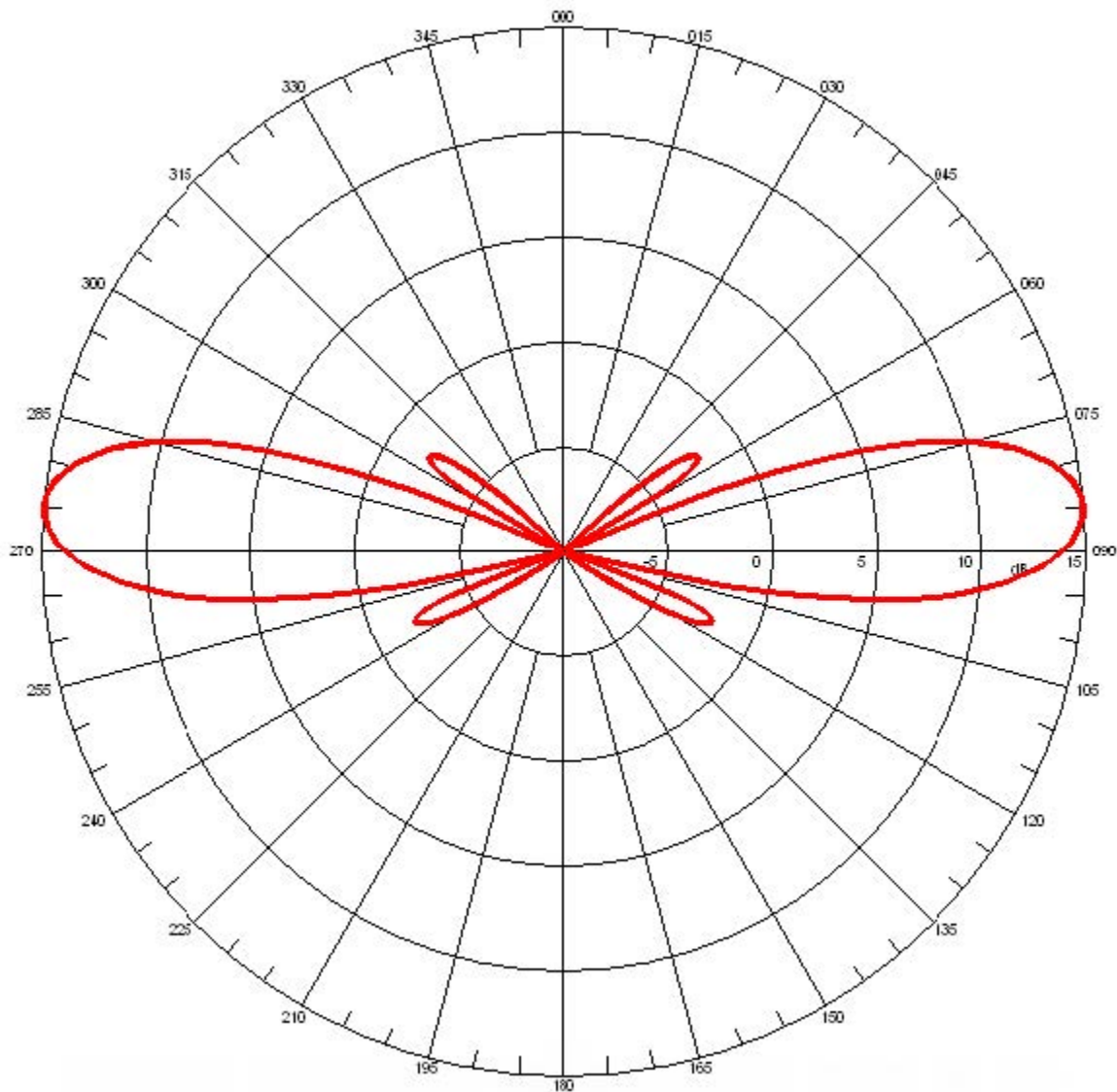
- Requires Customer Installed Receiver Equipment
- Broad Band Coverage
- 6 Panel Array
- 6.425 - 7.125 GHz
- Receive Only
- 15 dBi Gain per Panel
- Rugged Polycarbonate Radome
- 7.5° Up-Tilted Panels for Improved Coverage
- One RHCP & One LHCP Up-Look Antennas Included
- Fully Maintainable
- ROHS Compliant



Antenna Specifications

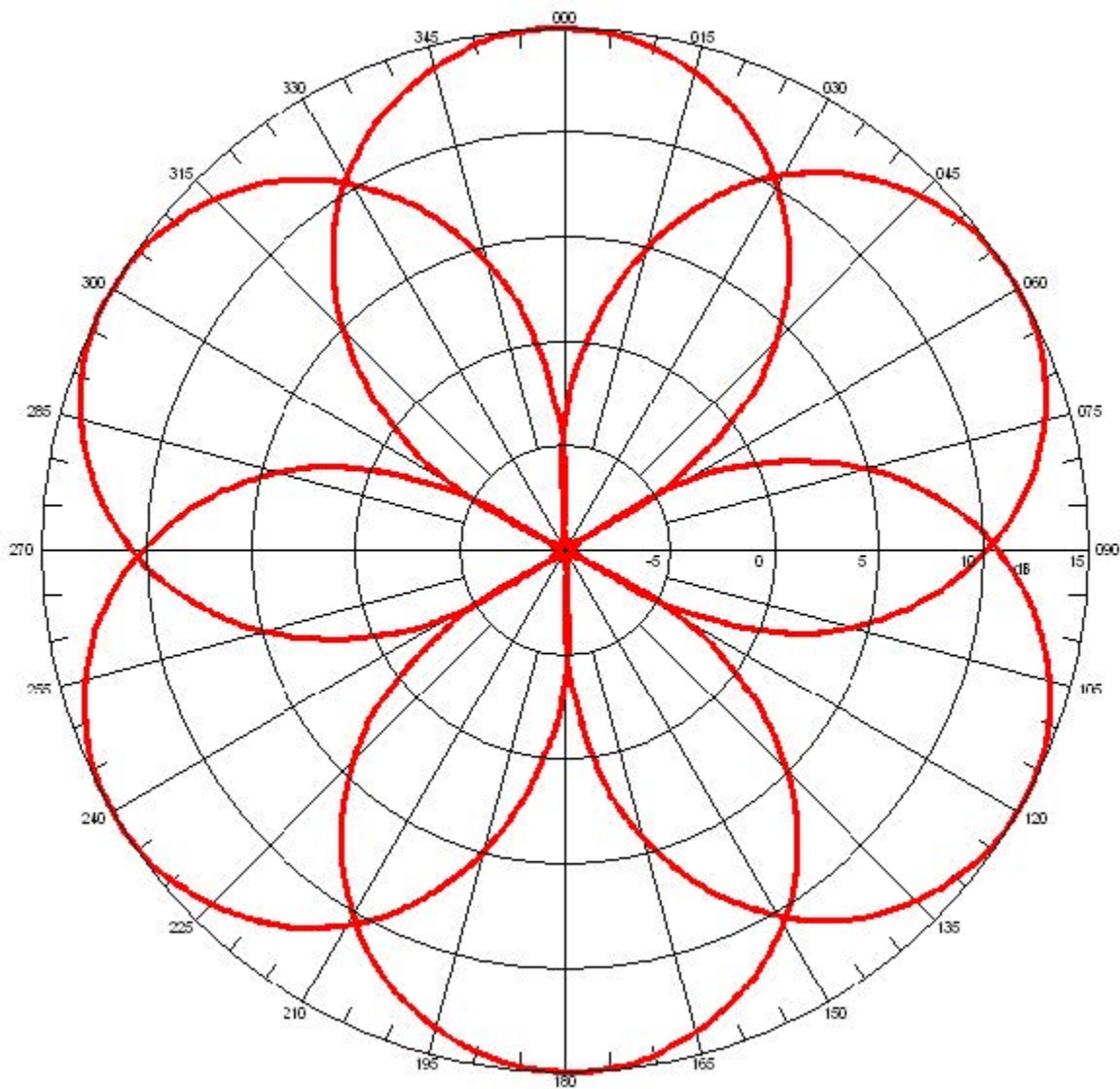
Parameter	Value	Units	Tolerance
Antenna Pattern	Omni Antenna		
Frequency Band	C		
Impedance	50	Ohms	
Minimum Frequency	6.425 / 6,425	GHz / MHz	
Maximum Frequency	7.125 / 7,125	GHz / MHz	
Frequency Bandwidth	0.7 / 700	GHz / MHz	
Maximum VSWR	2:1	Ratio	
Maximum Gain	15	dBi	
Polarization	Vertical		
Horizontal (AZ) Beamwidth	60	Degrees	
Vertical (EL) Beamwidth	15	Degrees	
Uplook Antenna Gain	0.5	dBic	

Parameter	Value	Units	Tolerance
Uplook Antenna Polarization	RHCP & LHCP		
Uplook Antenna Horizontal (AZ) Beamwidth	360	Degrees	
Uplook Antenna Vertical (EL) Beamwidth	167	Degrees	
Radome Material	Polycarbonate		
Color	Gray Pantone 424C		
Maximum Wind Velocity	124	mph	
RF Connector Type	Right Angle SMP(f)		
Uplook RF Connector	Right Angle SMA		
IP Rating	IP65		
Product Height	9.44 / 239.78	inches / mm	
Product Diameter	11.00 / 279.40	inches / mm	
Product Weight	7.5 / 3.4	lbs / kg	Without Customer Equipment Installed



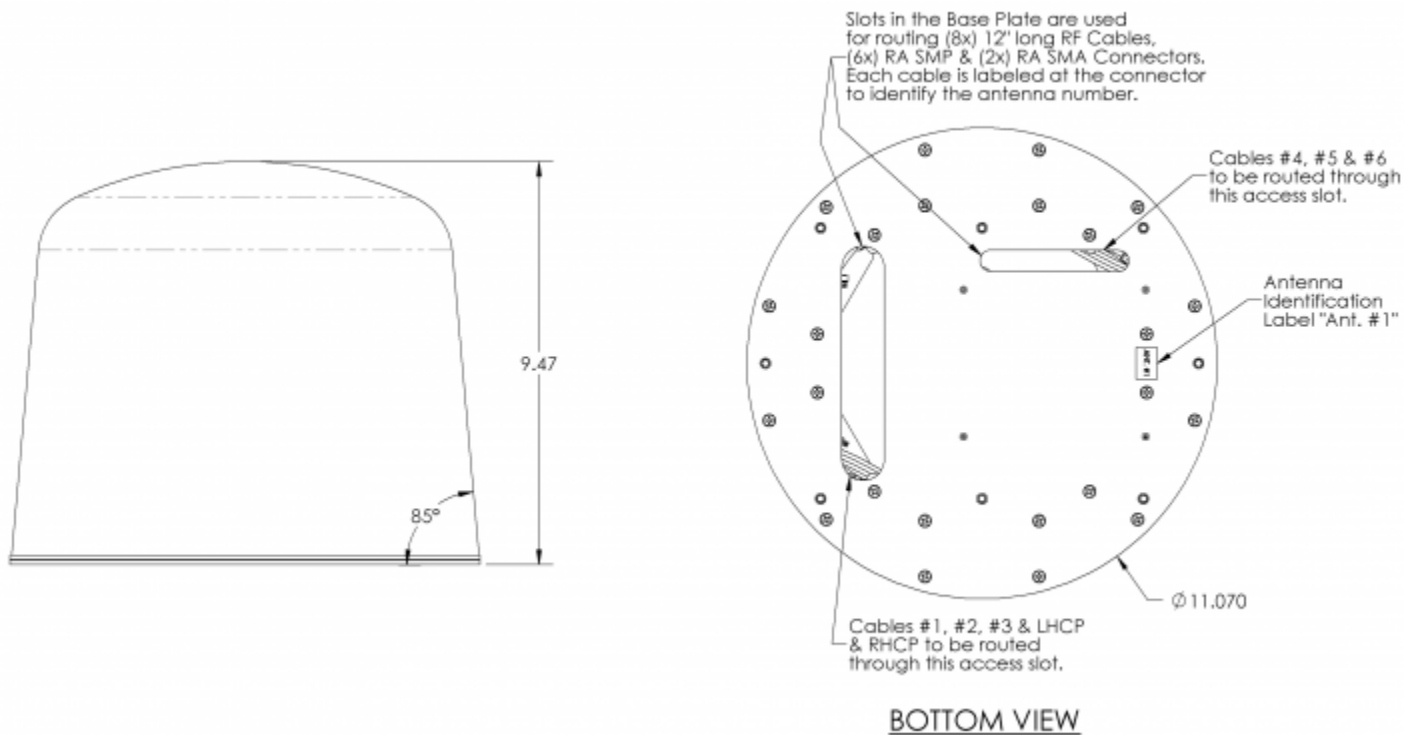
Elevation Pattern

Referenced to +15 dBi



Elevation Pattern 2

Referenced to +15 dBi



Engineering Drawing

All dimensions are in inches