

PRELIMINARY

Features:

- 6 Panel Array
- 2.0 - 2.5GHz
- Transit & Receive
- 12 dBi Gain per Panel
- Rugged Polycarbonate Radome
- 0° to 10° User Adjustable Tilt
- Fully Maintainable
- Mounting Kit for Permanent & Temporary Mounting Included



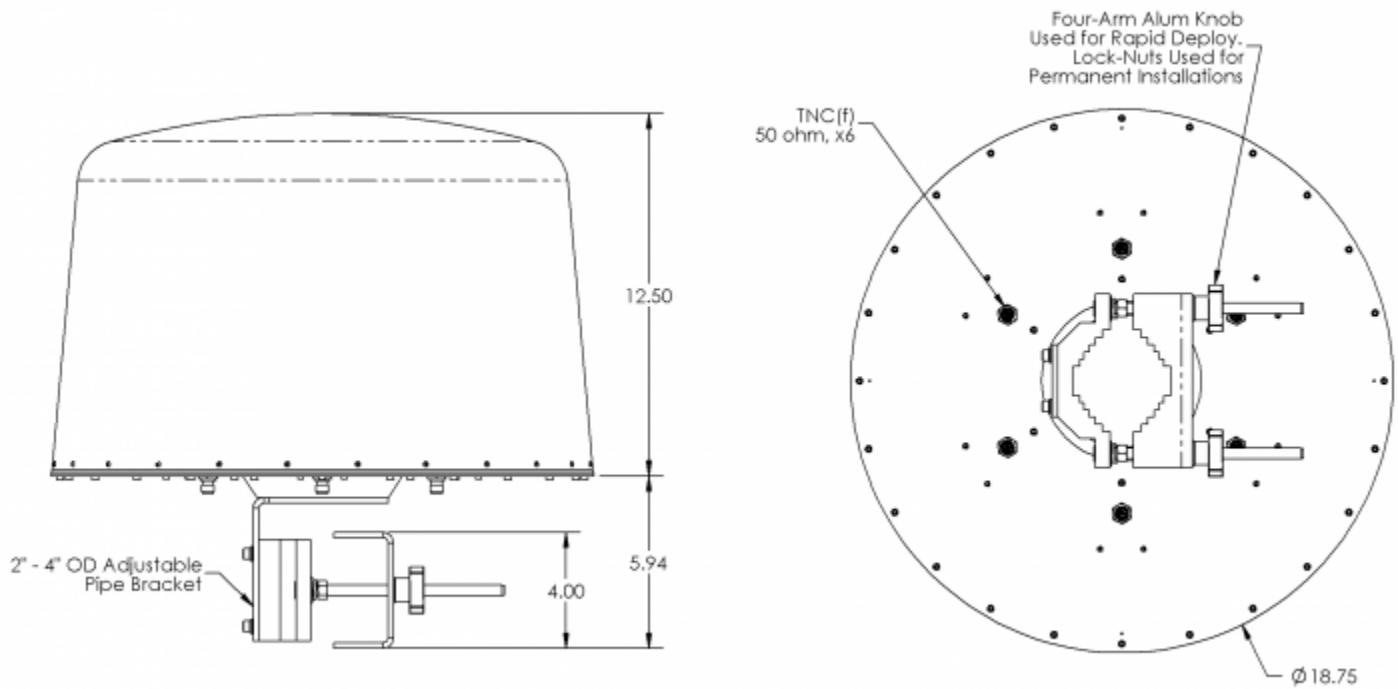
Antenna Specifications

Parameter	Value	Units	Tolerance
Frequency Band	S		
Impedance	50	Ohms	
Minimum Frequency	2.0 / 2,000	GHz / MHz	
Maximum Frequency	2.5 / 2,500	GHz / MHz	
Frequency Bandwidth	0.5 / 500	GHz / MHz	
Maximum Gain	12	dBi	Per Panel
Polarization	Vertical		
Horizontal (AZ) Beamwidth	60	Degrees	Per Panel
Vertical (EL) Beamwidth	30	Degrees	Per Panel
Color	White		
Mount Style	Pole Mount Kit (included)		
Maximum Wind Velocity	75 / 120	mph / kph	

PRELIMINARY

Parameter	Value	Units	Tolerance
RF Connector Type	TNC(f)		
Product Height	12.50 / 317.50	inches / mm	
Product Diameter	18.75 / 476.25	inches / mm	
Product Weight	15.0 / 6.8	lbs / kg	

PRELIMINARY



Engineering Drawing

All dimensions are in inches