

Overview

The 4G LTE Cellular Omni Concealment Antenna was designed by Southwest Antennas for use in covert surveillance operations, antenna concealment devices, or any application where discreet antenna placement is needed. Measuring only 4.70" x 1.70" and weighing less than one ounce, the 4G LTE Cellular Omni Concealment Antenna is easy to integrate into small devices or spaces without clearance for larger antennas and is specially tuned for concealment material substrates

The penta-band design gives the 4G LTE Cellular Omni Concealment Antenna coverage across all 4G LTE bands, allowing for both domestic and international use. A miniature low loss RF cable and SMA Male connector allow for flexible connection options.

Part # 1066-014 features a 1 foot miniature low-loss RF cable with an SMA(m) RF connector.

Features:

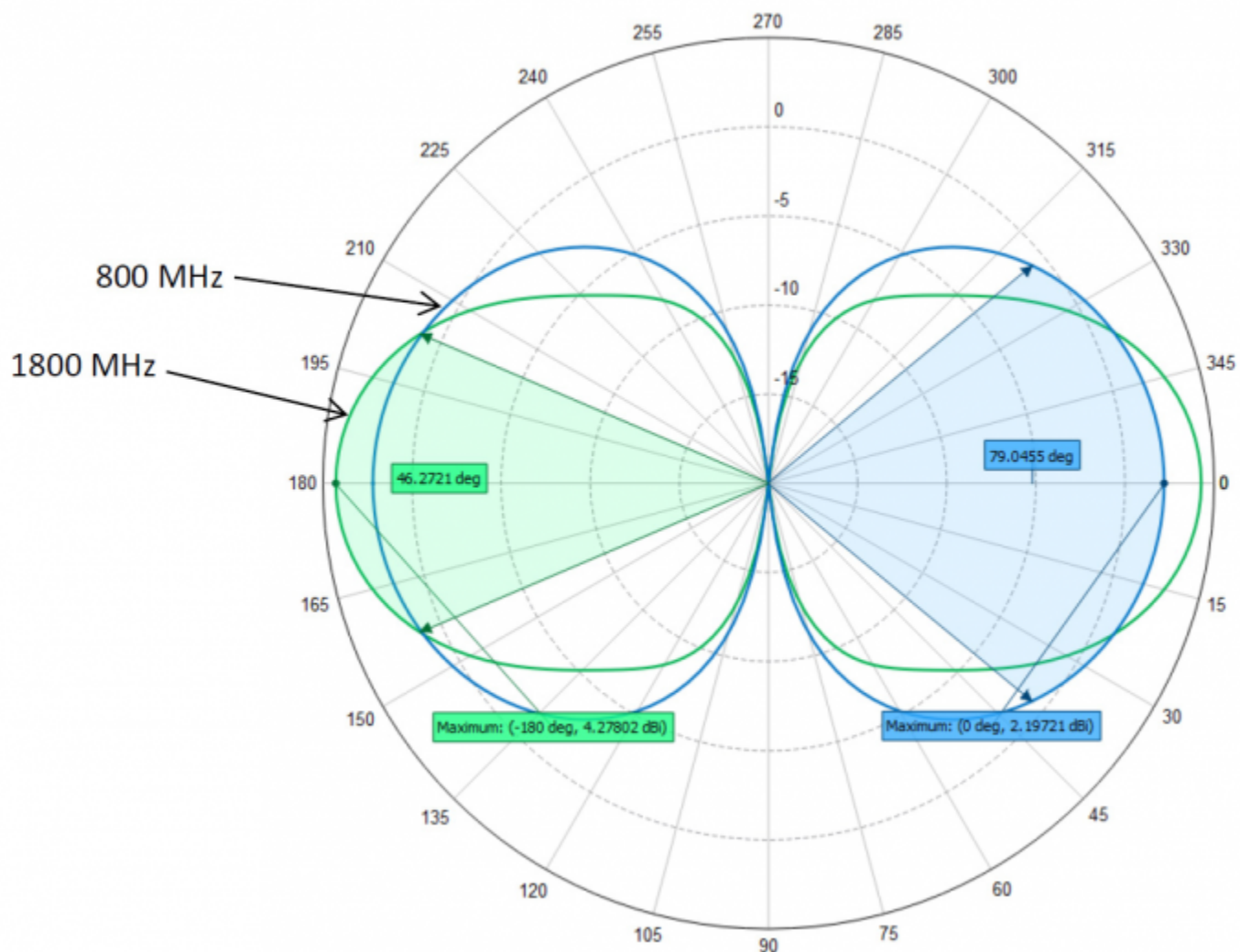
- Markets and applications include:
 - Military/Defense
 - Law Enforcement
 - Surveillance
 - Security
 - Commercial Wireless
- Extremely light weight
- Easily concealed
- Miniature low loss RF Cable
- Designed for use inside concealments
- Specially tuned for concealment material substrates
- Penta-band: covers all 4G LTE Cellular bands



Antenna Specifications

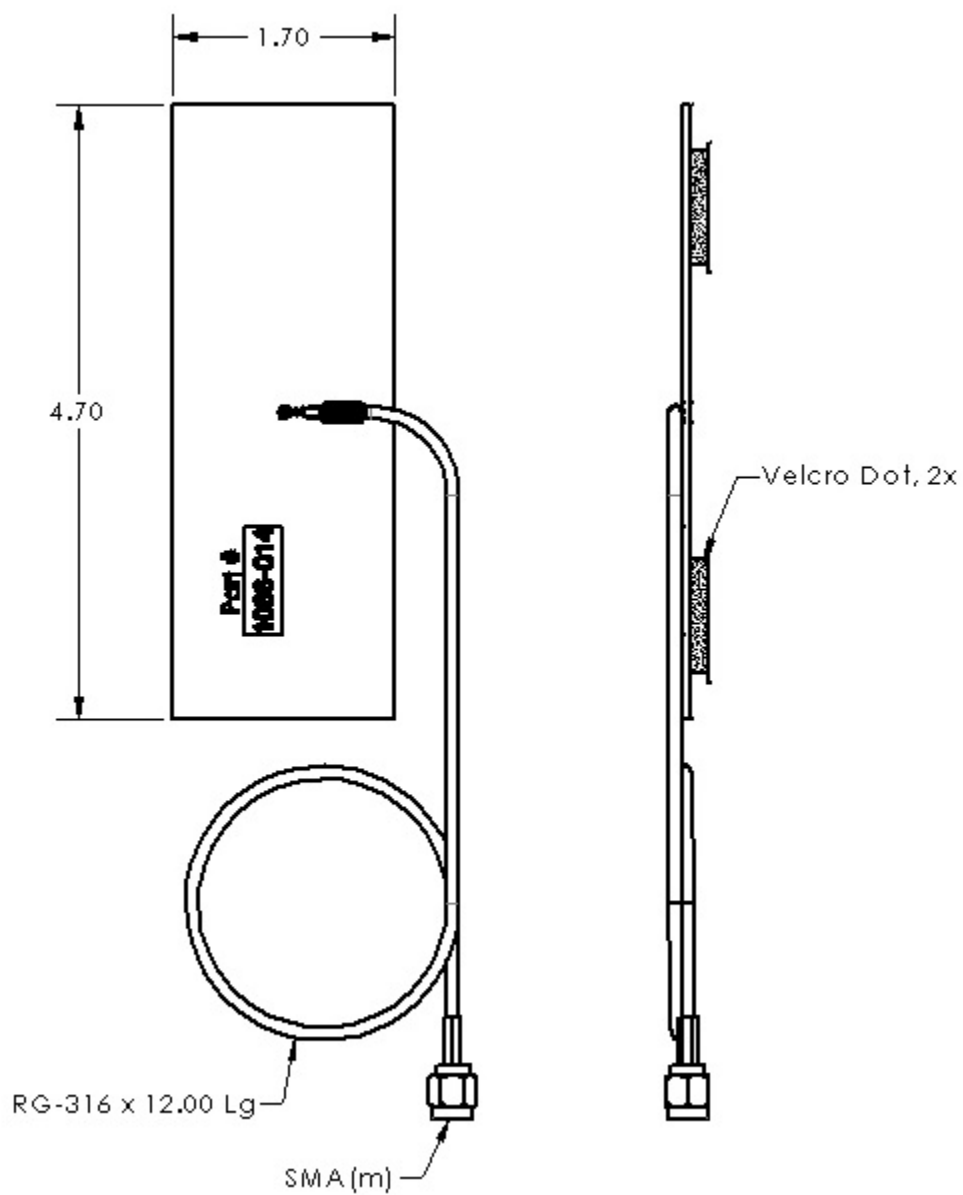
Parameter	Value	Units	Tolerance
Antenna Pattern	Omni		
Impedance	50	Ohms	
Frequency Range 1	0.7 – 0.96 698 – 960	GHz MHz	
Frequency Range 2	1.71 – 3.0 1,710 – 3,000	GHz MHz	
Maximum VSWR	<2.5:1	Ratio	Low & High Band
Maximum Gain	2.2	dBi	Low & High Band
Polarization	Vertical		
Maximum RF Input Power	1	Watt	
Low Band Horizontal (AZ) Beamwidth	360	Degrees	
High Band Horizontal (AZ) Beamwidth	360	Degrees	
Low Band Vertical (EL) Beamwidth	76	Degrees	
High Band Vertical (EL) Beamwidth	46	Degrees	
Ground Plane Required	No		
Mount Style	2x velcro dots on back side of antenna		
RF Connector Type	SMA(m)		
RF Cable Type	RG-316		
RF Cable Length	12.00 / 304.80	inches / mm	Nominal
Operating Temperature Range	-40 to +85	C	

Parameter	Value	Units	Tolerance
Product Length	4.70 / 119.38	inches / mm	
Product Width	1.70 / 43.18	inches / mm	
Product Height	0.06 / 1.57	inches / mm	
Product Weight	1.0 / 28.3	oz / grams	



Elevation Pattern

Referenced to +5 dBi



Engineering Drawing

All dimensions are in inches