

**Features:**

- Tuned for Installation Inside Concealments
- 4.4 - 5.0 GHz
- 2.1 dBi Omni Radiation Pattern
- Small Form Factor
- Light Weight
- Integrated U.FL Connector
- Installs Easily with Double Stick Tape

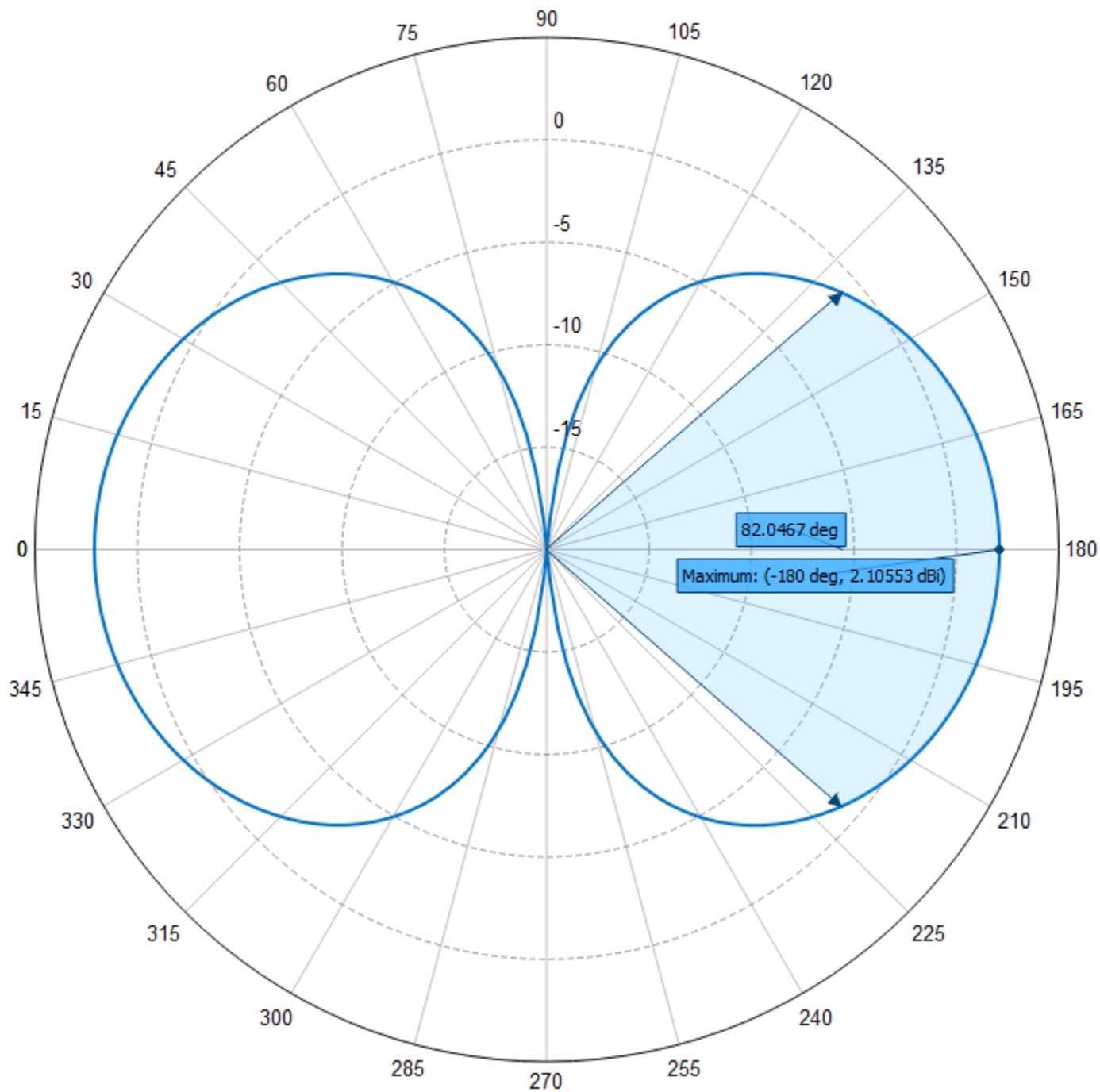
Note: Antenna performance is dependent on proper use of double stick installation tape. Installation tape is used to stand antenna off concealment inner wall / substrate material far enough to achieve optimum performance.



**Antenna Specifications**

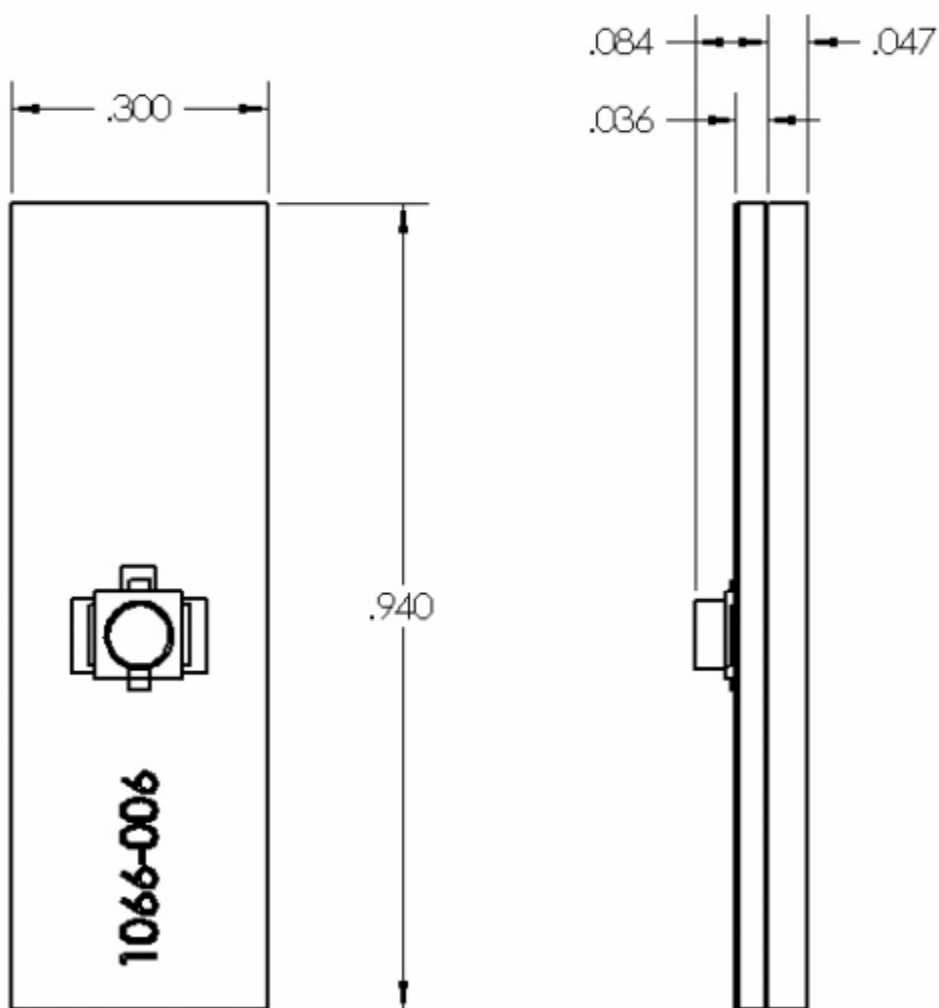
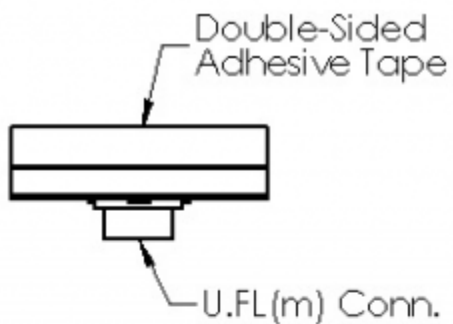
Parameter	Value	Units	Tolerance
<b>Antenna Pattern</b>	Omni Antenna		
<b>Frequency Band</b>	C		
<b>Impedance</b>	50	Ohms	
<b>Minimum Frequency</b>	4.4 / 4,400	GHz / MHz	
<b>Maximum Frequency</b>	5.0 / 5,000	GHz / MHz	
<b>Frequency Bandwidth</b>	0.6 / 600	GHz / MHz	
<b>Maximum VSWR</b>	2:1	Ratio	
<b>Maximum Gain</b>	2.1	dBi	
<b>Polarization</b>	Vertical		
<b>Maximum Output Power</b>	10	Watts	
<b>Horizontal (AZ) Beamwidth</b>	360	Degrees	
<b>Vertical (EL) Beamwidth</b>	82	Degrees	

Parameter	Value	Units	Tolerance
<b>Ground Plane Required</b>	No		
<b>Color</b>	Black Solder Mask		
<b>Mount Style</b>	Double-Sided Adhesive Tape		
<b>RF Connector Type</b>	U.FL		
<b>Operating Temperature Range</b>	-40 to +85	C	
<b>Product Length</b>	0.94 / 23.88	inches / mm	±.031"
<b>Product Width</b>	0.30 / 7.62	inches / mm	±.031"
<b>Product Height</b>	0.13 / 3.33	inches / mm	±.031"
<b>Product Weight</b>	0.0 / 0.3	oz / grams	



**Elevation Pattern**

Referenced to +5 dBi (Note: pattern shown in free space. Concealment pattern may differ.)



### Engineering Drawing

All dimensions are in inches