

Features:

- 5.1 - 5.9 GHz Frequency Range
- Wide 60° Beamwidth (Azimuth)
- High Gain: 15 dBi
- ROHS Compliant
- TNC(f) RF Connector
- Universal Mounting Adapter

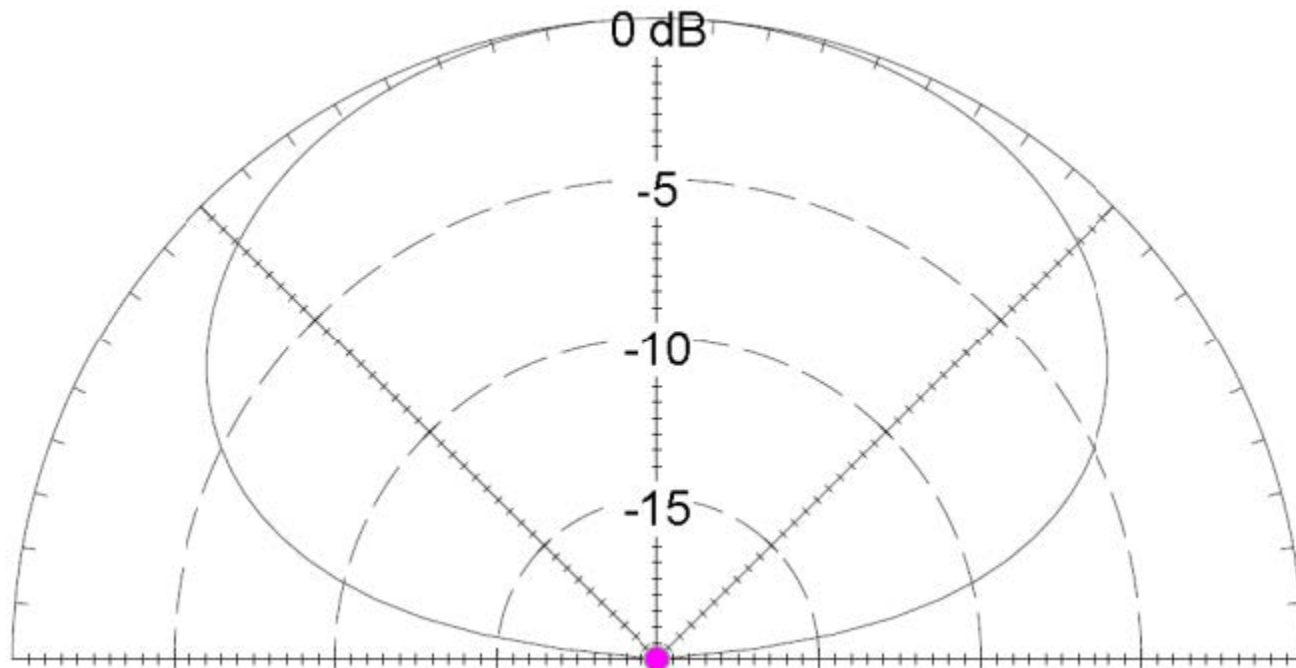
Note: Designed specifically for Link L3025-6471 Block Down-Converter



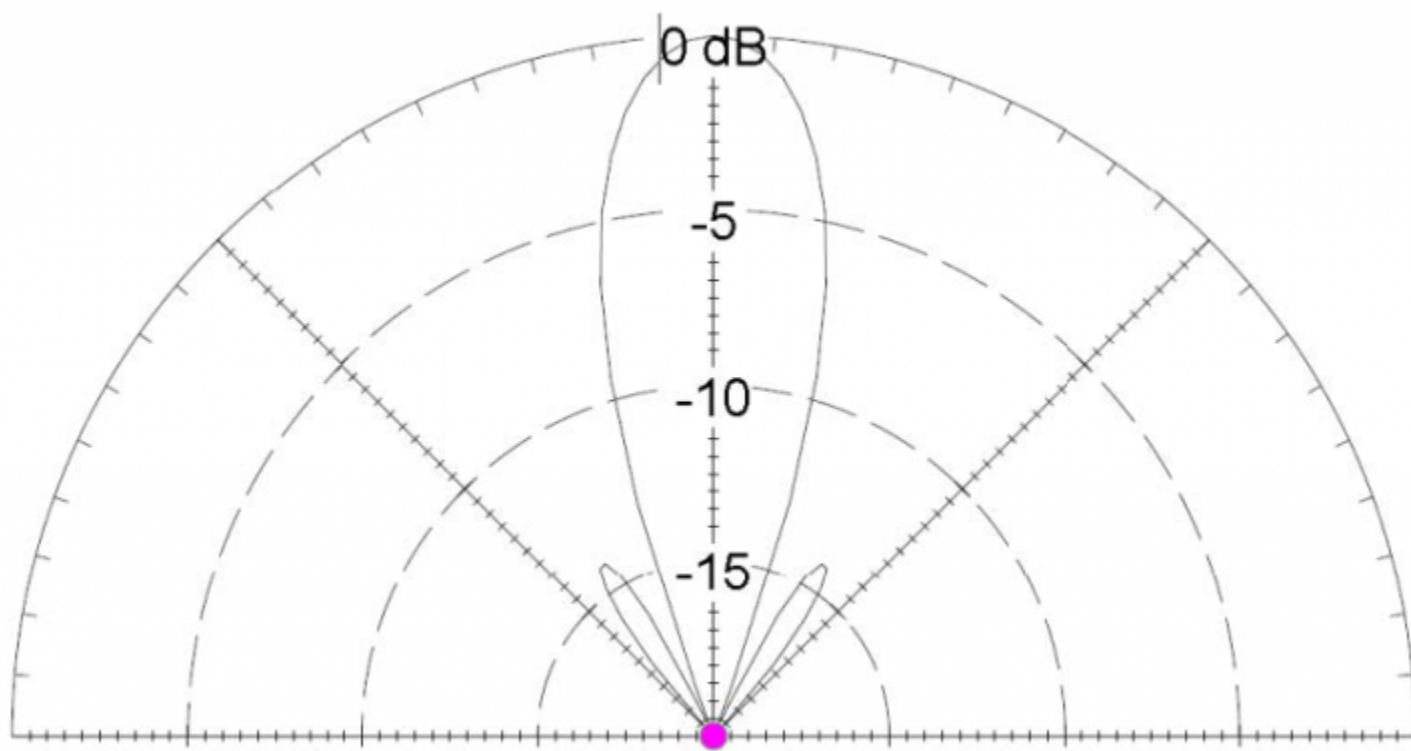
Antenna Specifications

Parameter	Value	Units	Tolerance
Antenna Pattern	Directional Antenna		
Frequency Band	C		
Impedance	75	Ohms	
Minimum Frequency	5.1 / 5,100	GHz / MHz	
Maximum Frequency	5.9 / 5,900	GHz / MHz	
Frequency Bandwidth	0.8 / 800	GHz / MHz	
Maximum Gain	15	dBi	
Polarization	Vertical		
Voltage Range	12.5 - 24	VDC	On Cable
Horizontal (AZ) Beamwidth	60	Degrees	
Vertical (EL) Beamwidth	19	Degrees	
Ground Plane Required	No		

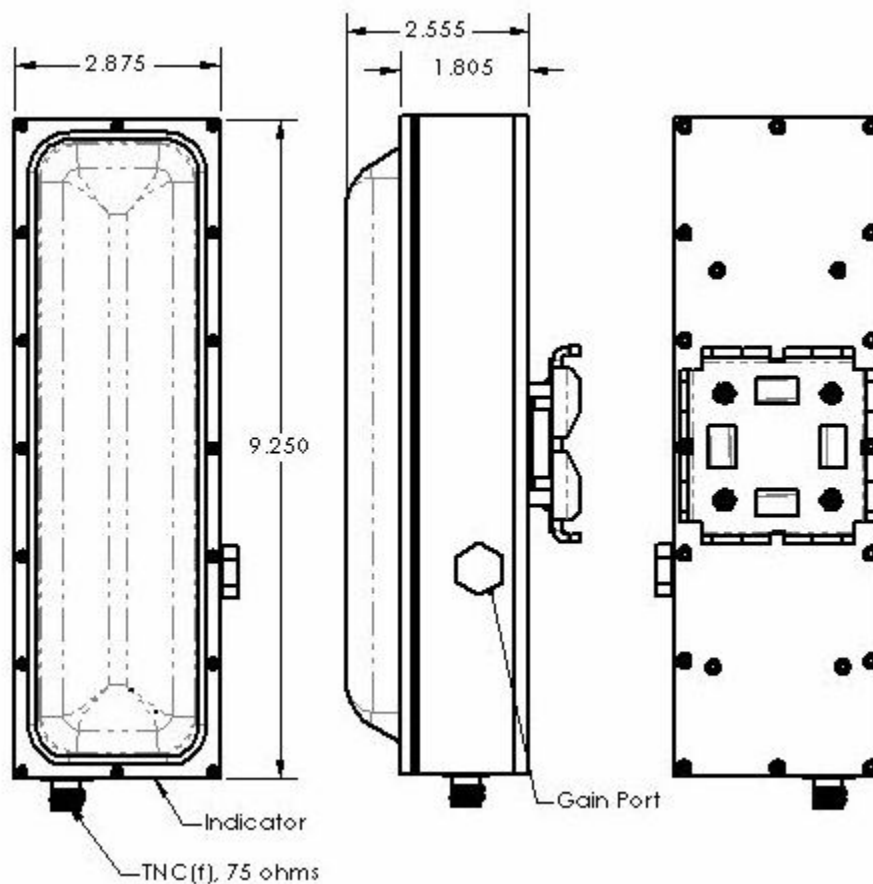
Parameter	Value	Units	Tolerance
Color	Grey		
Maximum Wind Velocity	150 / 242	mph / kph	
RF Connector Type	TNC(f)		
Product Length	2.56 / 64.90	inches / mm	
Product Width	3.88 / 98.43	inches / mm	
Product Height	9.25 / 234.95	inches / mm	



Azimuth Pattern



Elevation Pattern



Engineering Drawing

All dimensions are in inches