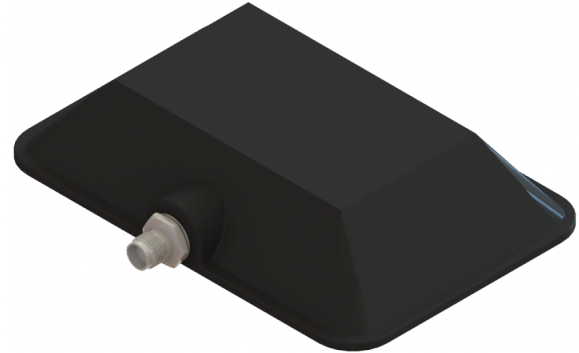


**Features:**

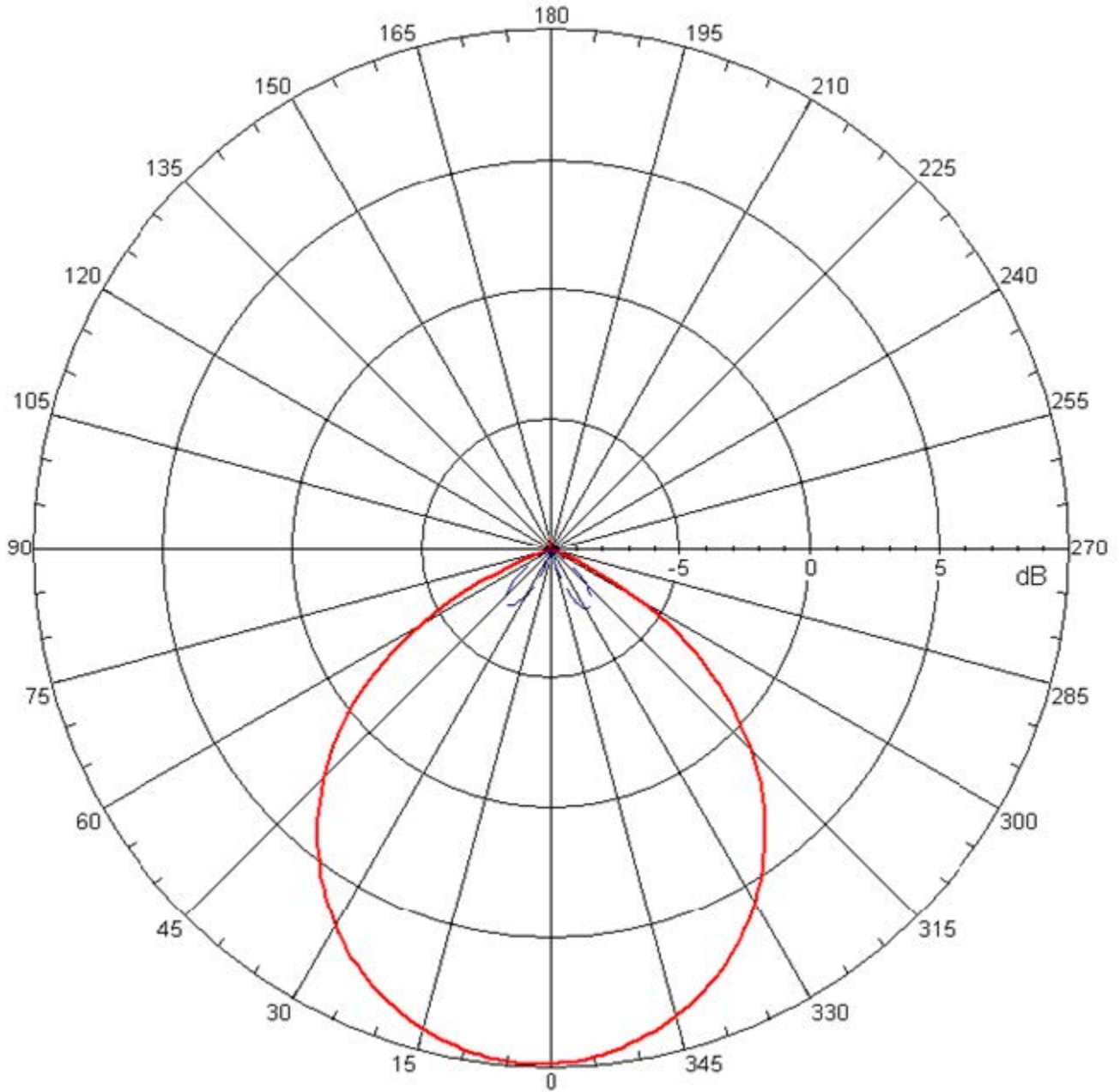
- Broadband Coverage
- High Performance Vertically Polarized Panel Antenna Design
- 1.7 - 2.5 GHz
- 9 dBi Directional Radiation Pattern
- TNC(f) RF Connector
- Black Kydex Radome
- Black Anodized Ground Plane
- Designed for L&S Band Communication in the Following Markets:
  - Law Enforcement
  - Surveillance
  - UAV & UGV Ground Stations



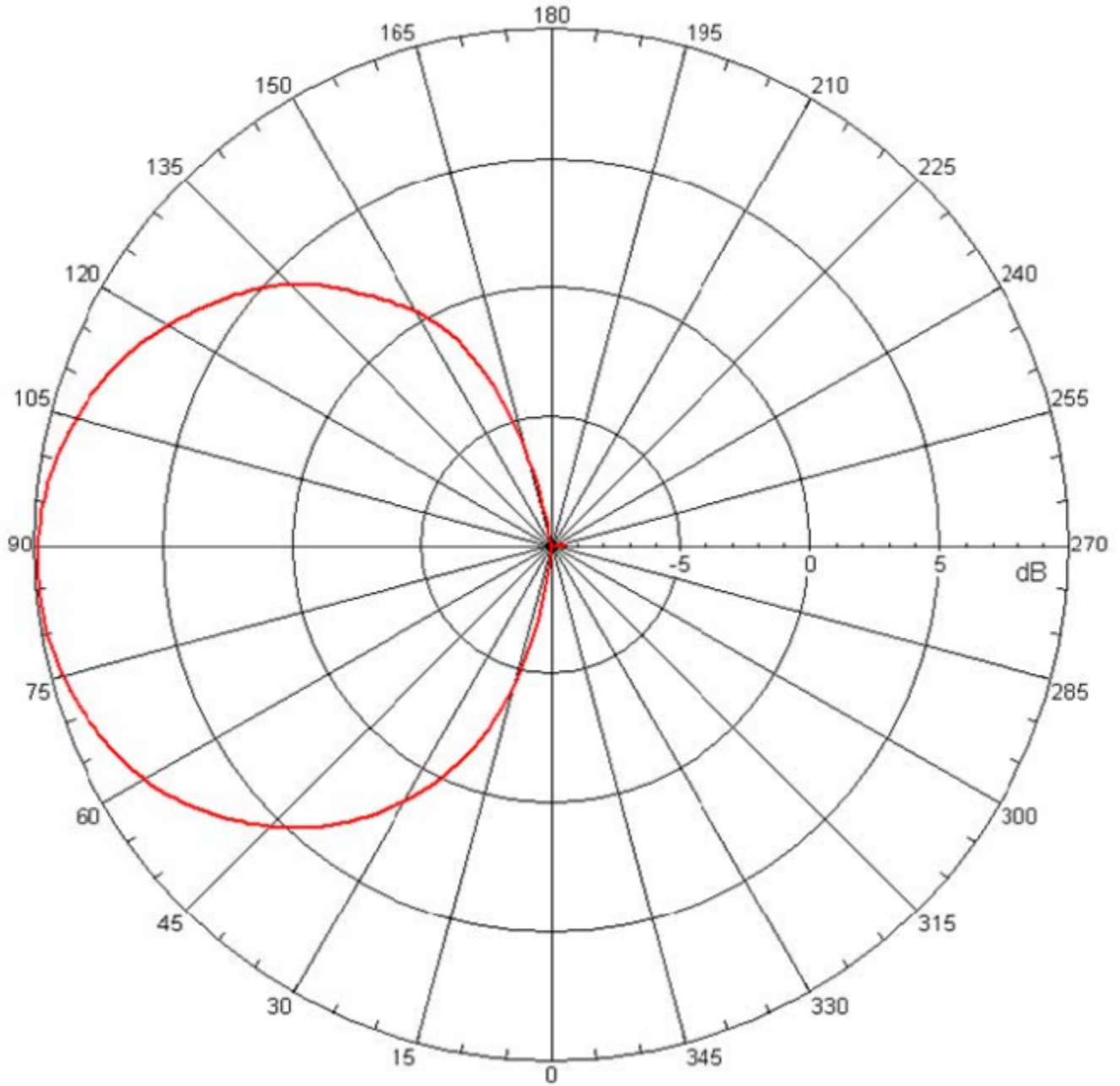
**Antenna Specifications**

Parameter	Value	Units	Tolerance
Antenna Pattern	Directional Antenna		
Frequency Band	L & S		
Impedance	50	Ohms	
Minimum Frequency	1.7 / 1,700	GHz / MHz	
Maximum Frequency	2.5 / 2,500	GHz / MHz	
Frequency Bandwidth	0.8 / 800	GHz / MHz	
Maximum VSWR	1.5:1	Ratio	15 dB Return Loss
Maximum Gain	9	dBi	
Polarization	Vertical		
Horizontal (AZ) Beamwidth	60	Degrees	
Vertical (EL) Beamwidth	60	Degrees	
Ground Plane Required	No		

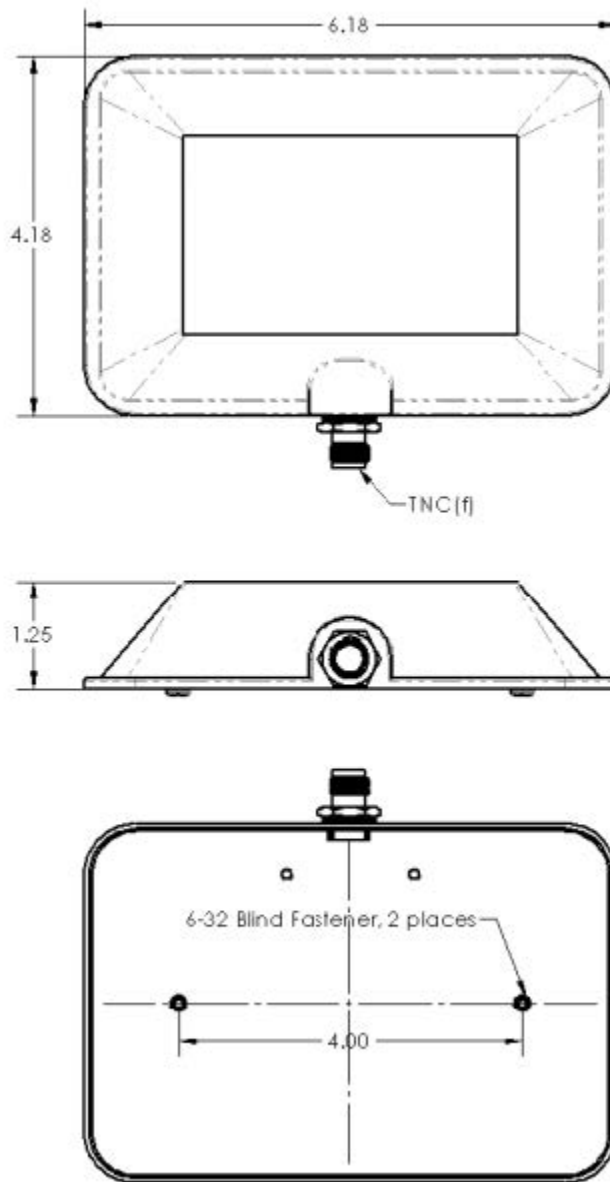
Parameter	Value	Units	Tolerance
<b>Radome Material</b>	Kydex		
<b>Color</b>	Black		
<b>RF Connector Type</b>	TNC(f)		
<b>Product Length</b>	4.180 / 106.172	inches / mm	
<b>Product Width</b>	6.180 / 156.972	inches / mm	
<b>Product Height</b>	1.250 / 31.750	inches / mm	
<b>Product Weight</b>	5.00 / 141.75	oz / grams	



**Azimuth Pattern**



**Elevation Pattern**



**Engineering Drawing**

All dimensions are in inches