

Features:

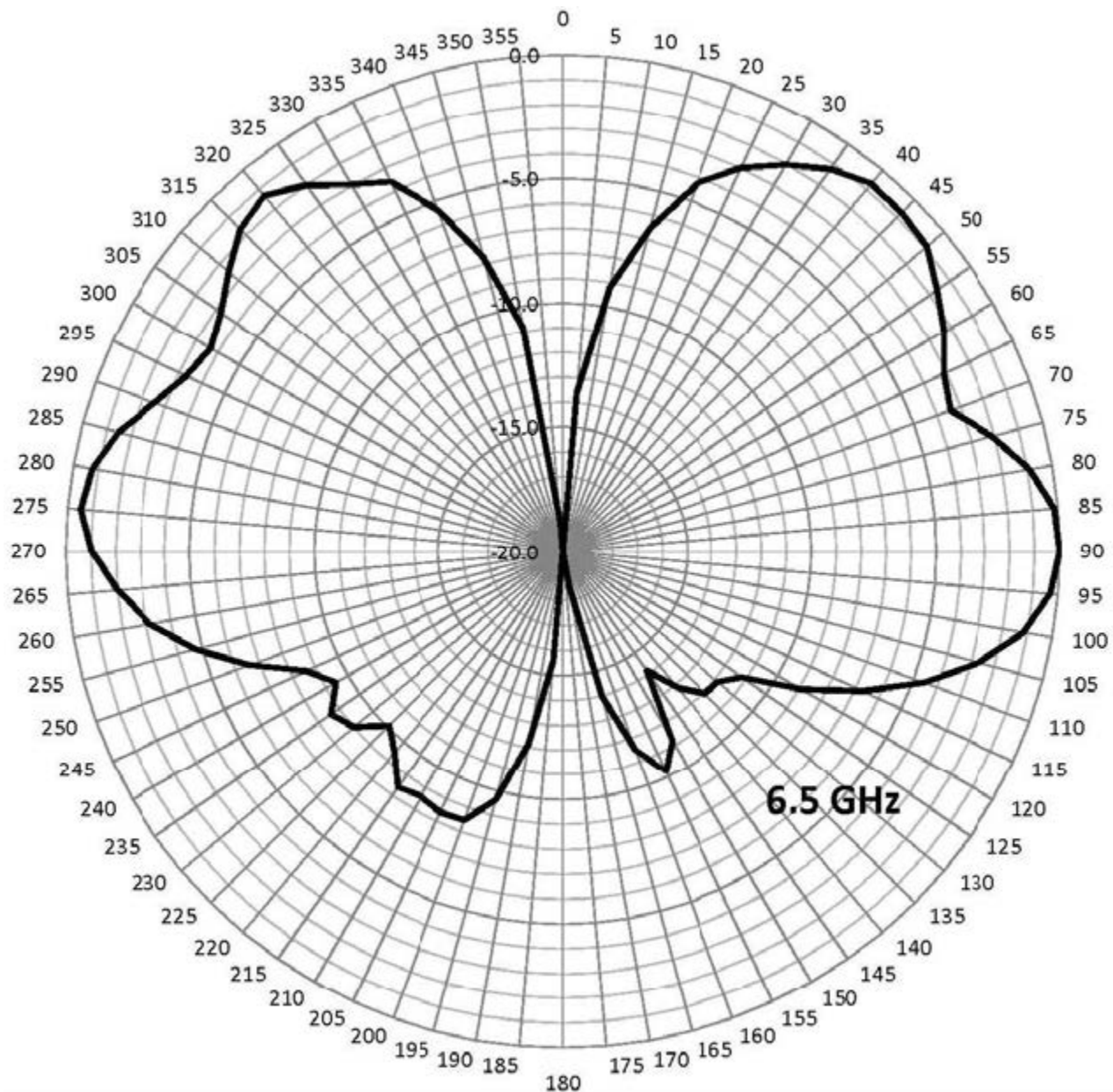
- Broad Band Coverage
- Full Wave Dipole
- 5.9 - 6.9 GHz
- 50W power handling
- 4.0 dBi Omni Radiation Pattern
- Rugged Black Polycarbonate Radome
- Low Profile Design
- ROHS Compliant



Antenna Specifications

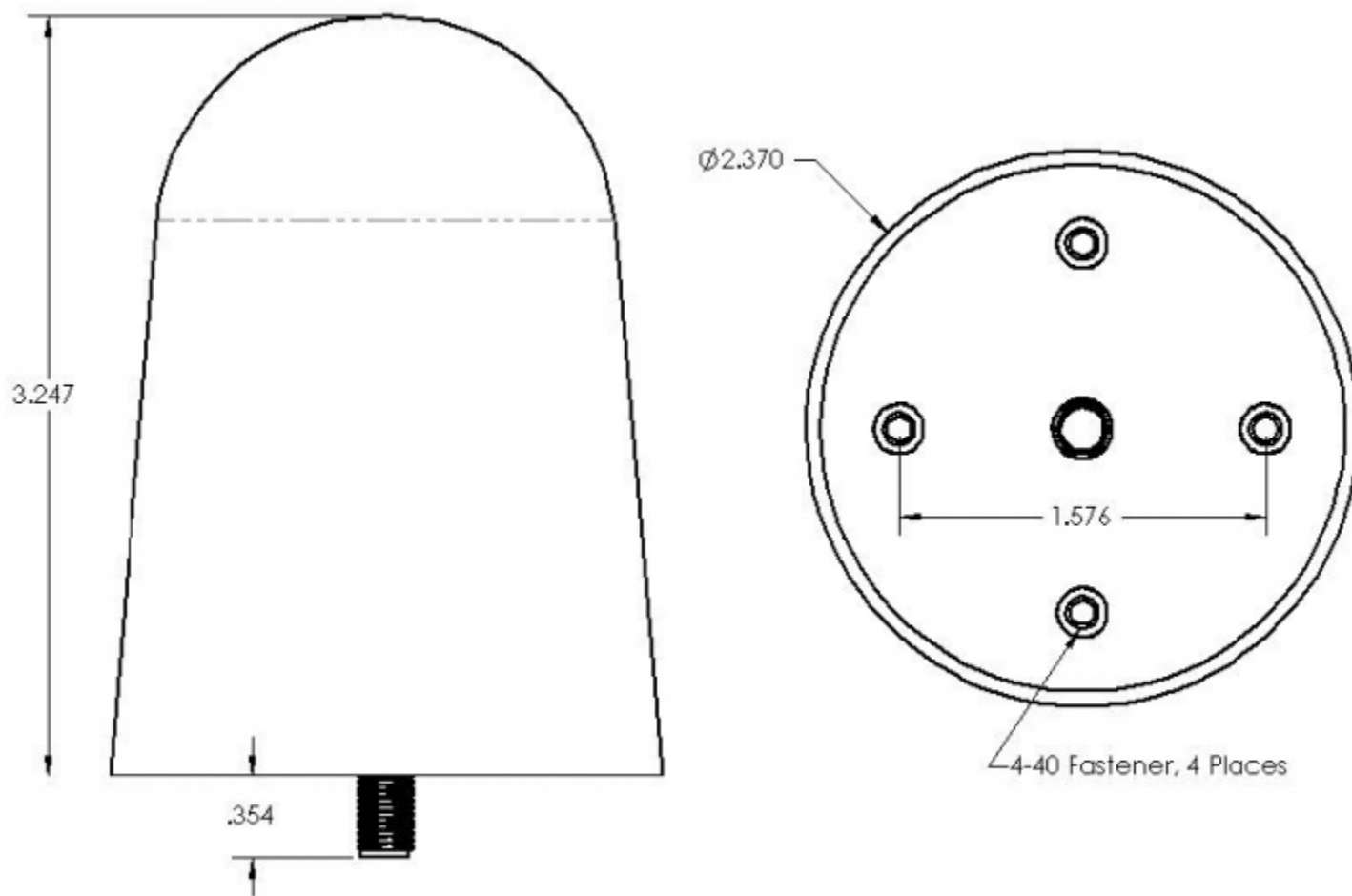
Parameter	Value	Units	Tolerance
Antenna Pattern	Omni Antenna		
Frequency Band	C		
Impedance	50	Ohms	
Minimum Frequency	5.9 / 5,900	GHz / MHz	
Maximum Frequency	6.9 / 6,900	GHz / MHz	
Frequency Bandwidth	1.0 / 1,000	GHz / MHz	
Maximum VSWR	1.5:1	Ratio	
Maximum Gain	4	dBi	
Polarization	Vertical		
Maximum RF Input Power	50	Watts	
Horizontal (AZ) Beamwidth	360	Degrees	
Vertical (EL) Beamwidth	40	Degreees	

Parameter	Value	Units	Tolerance
Ground Plane Required	No		
Radome Material	Polycarbonate		
Color	Black		
Maximum Wind Velocity	155 / 250	mph / kph	
RF Connector Type	SMA(f)		
Product Height	3.25 / 82.47	inches / mm	
Product Diameter	2.37 / 60.20	inches / mm	
Product Weight	2.0 / 56.7	oz / grams	



Elevation Pattern

Referenced to 4 dBi



Engineering Drawing

All dimensions are in inches