

## Overview

Southwest Antennas Part # 1055-211 is a broadband panel antenna that features a unique combination of high gain and wide bandwidth that makes this antenna useful for broadband or multi-band microwave receivers and transmitters. The included suction cup mount allows the antenna to be easily mounted on a window inside of a vehicle, aircraft, or building.

Part # 1055-211 includes an integrated Block Downconverter.

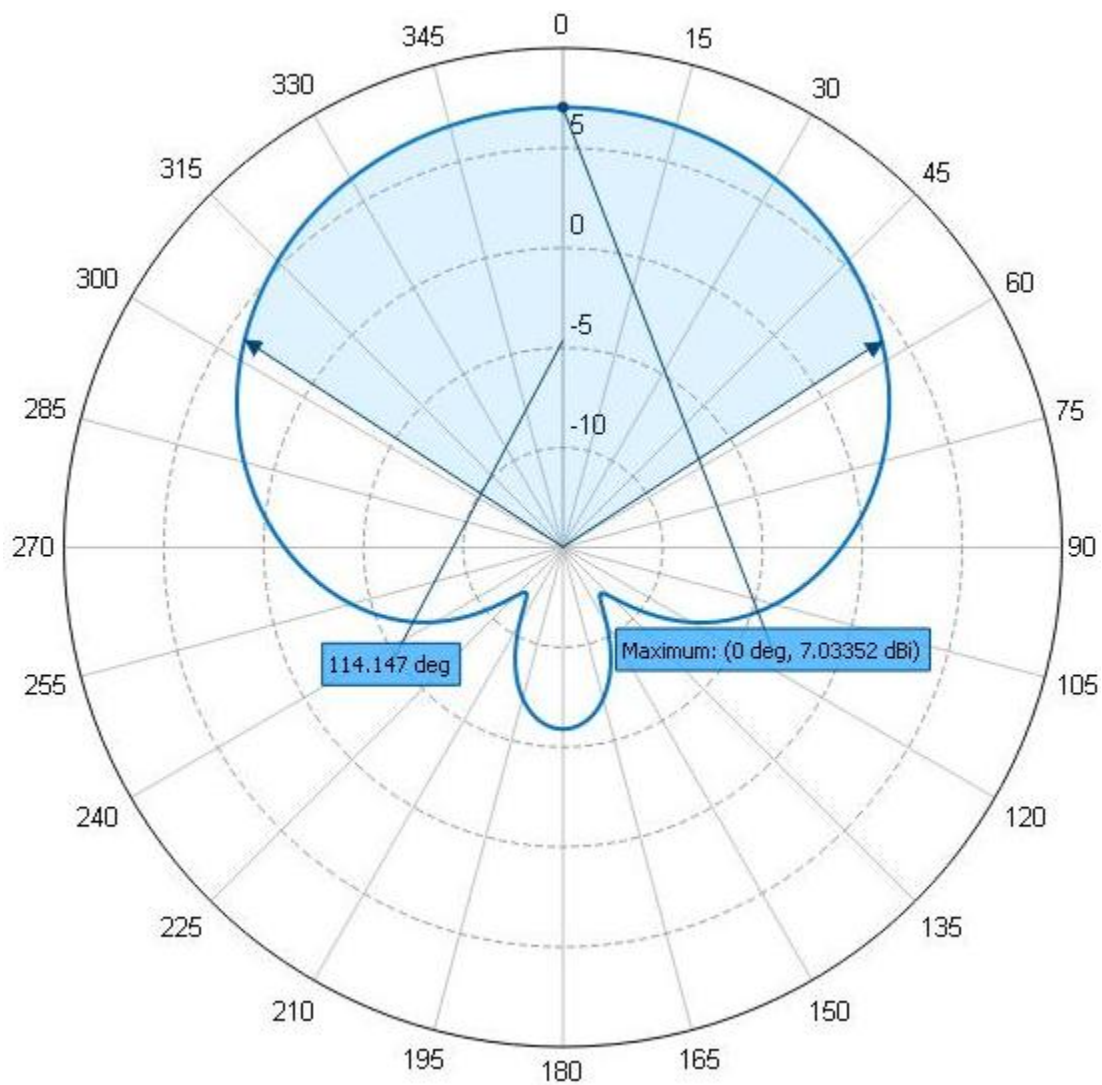
## Features:

- Broadband Panel Antenna
- 1.7 - 2.5 GHz
- 7 dBi Gain
- Integrated Block Downconverter
  - Phantom Powered on Cable
  - Local Oscillator: 2.7 GHz
  - Noise Figure:  $\leq 1.6$  dB
- Suction Cup Mounting Bracket Included
- Low Profile
- TNC(f) RF Connector with Right Angle TNC Adapter
- Markets and applications include:
  - Law enforcement
  - Surveillance
  - Airborne

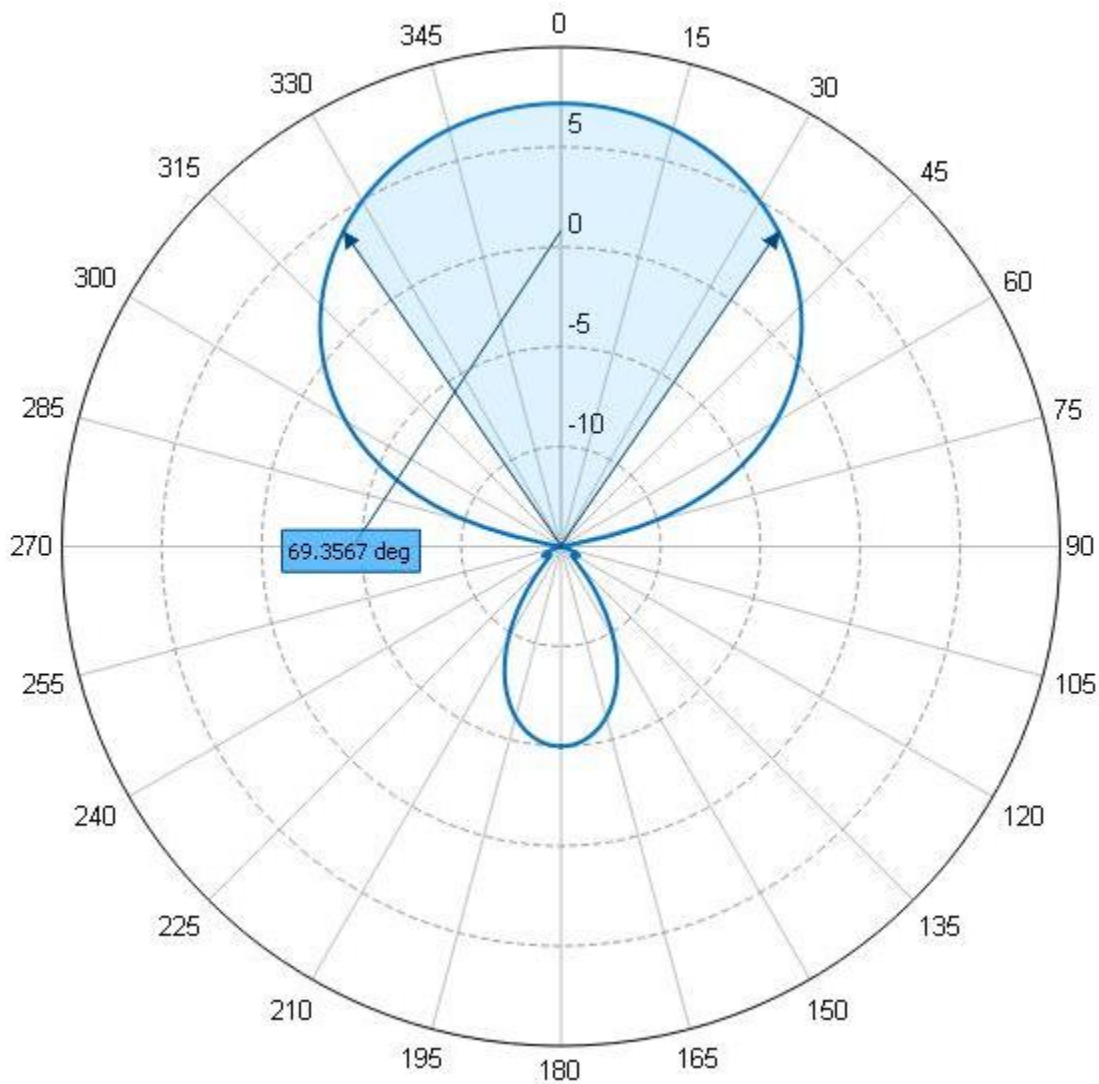


## Antenna Specifications

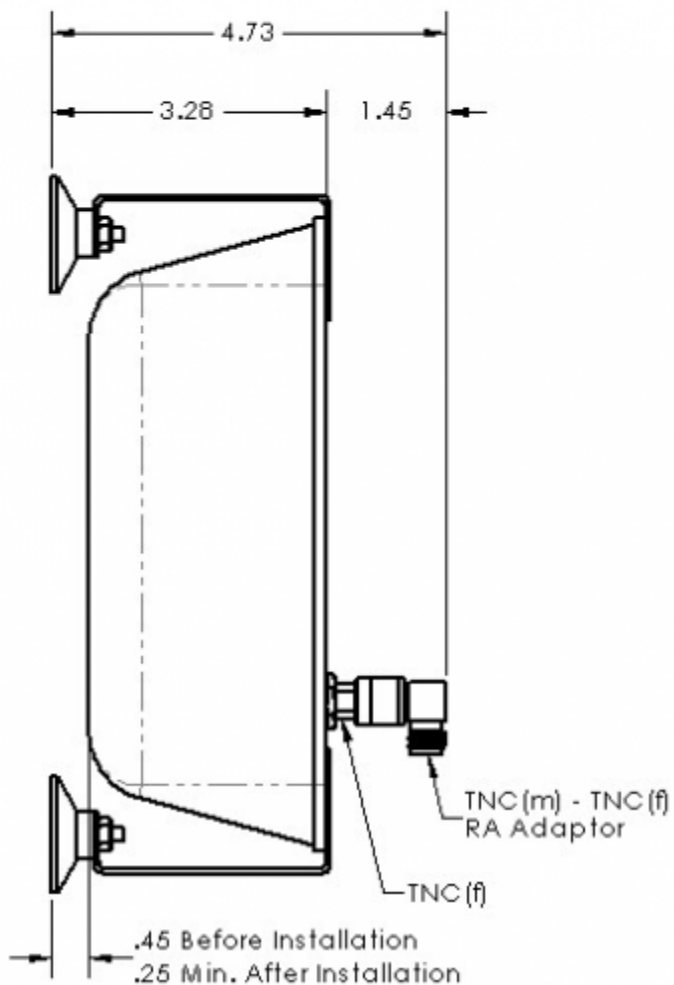
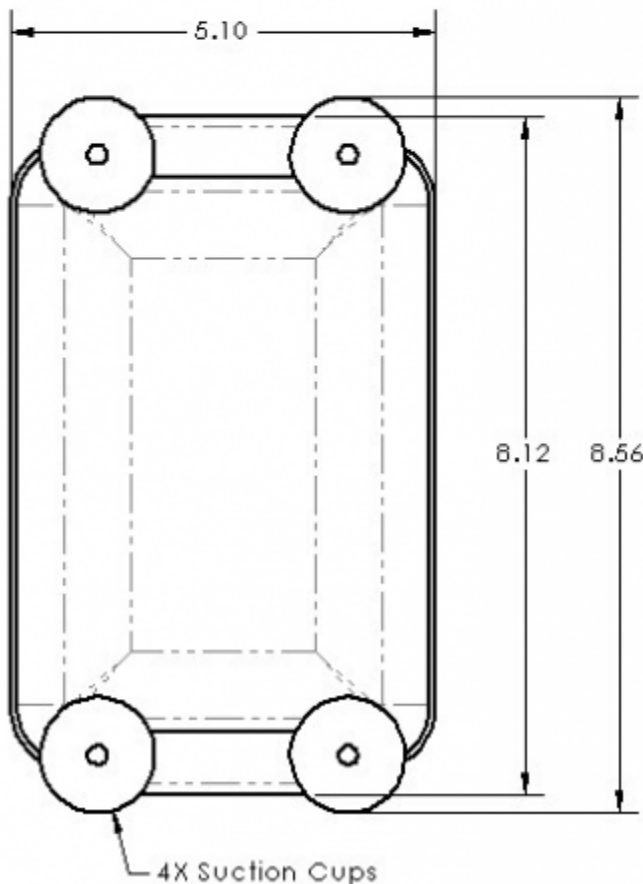
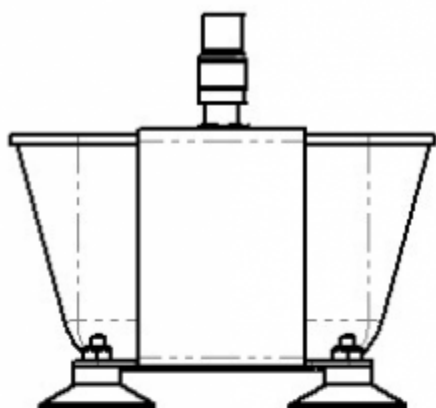
Parameter	Value	Units	Tolerance
<b>Antenna Pattern</b>	Directional Antenna		
<b>Frequency Band</b>	L & S		
<b>Minimum Frequency</b>	1.7 / 1,700	GHz / MHz	
<b>Maximum Frequency</b>	2.5 / 2,500	GHz / MHz	
<b>Frequency Bandwidth</b>	0.8 / 800	GHz / MHz	
<b>Maximum VSWR</b>	1.5:1		
<b>Maximum Gain</b>	7	dBi	
<b>Polarization</b>	Vertical		
<b>Maximum Output Power</b>	Receive Only		
<b>Voltage Range</b>	9 - 20	VDC	
<b>Horizontal (AZ) Beamwidth</b>	114	Degrees	
<b>Vertical (EL) Beamwidth</b>	69	Degrees	
<b>Ground Plane Required</b>	No		
<b>Radome Material</b>	Polycarbonate		
<b>Color</b>	White		
<b>Mount Style</b>	Suction Cup Window Mount (included)		
<b>RF Connector Type</b>	TNC(f)		
<b>Product Length</b>	5.10 / 129.54	inches / mm	
<b>Product Width</b>	3.28 / 83.31	inches / mm	
<b>Product Height</b>	8.12 / 206.25	inches / mm	



**Azimuth Pattern**



**Elevation Pattern**



### Engineering Drawing

All dimensions are in inches