

Overview

Southwest Antennas Part # 1055-267 is a broadband panel antenna that features a unique combination of high gain and wide bandwidth that makes this antenna useful for broadband or multi-band microwave receivers and transmitters. The included suction cup mount allows the antenna to be easily mounted on a window inside of a vehicle, aircraft, or building.

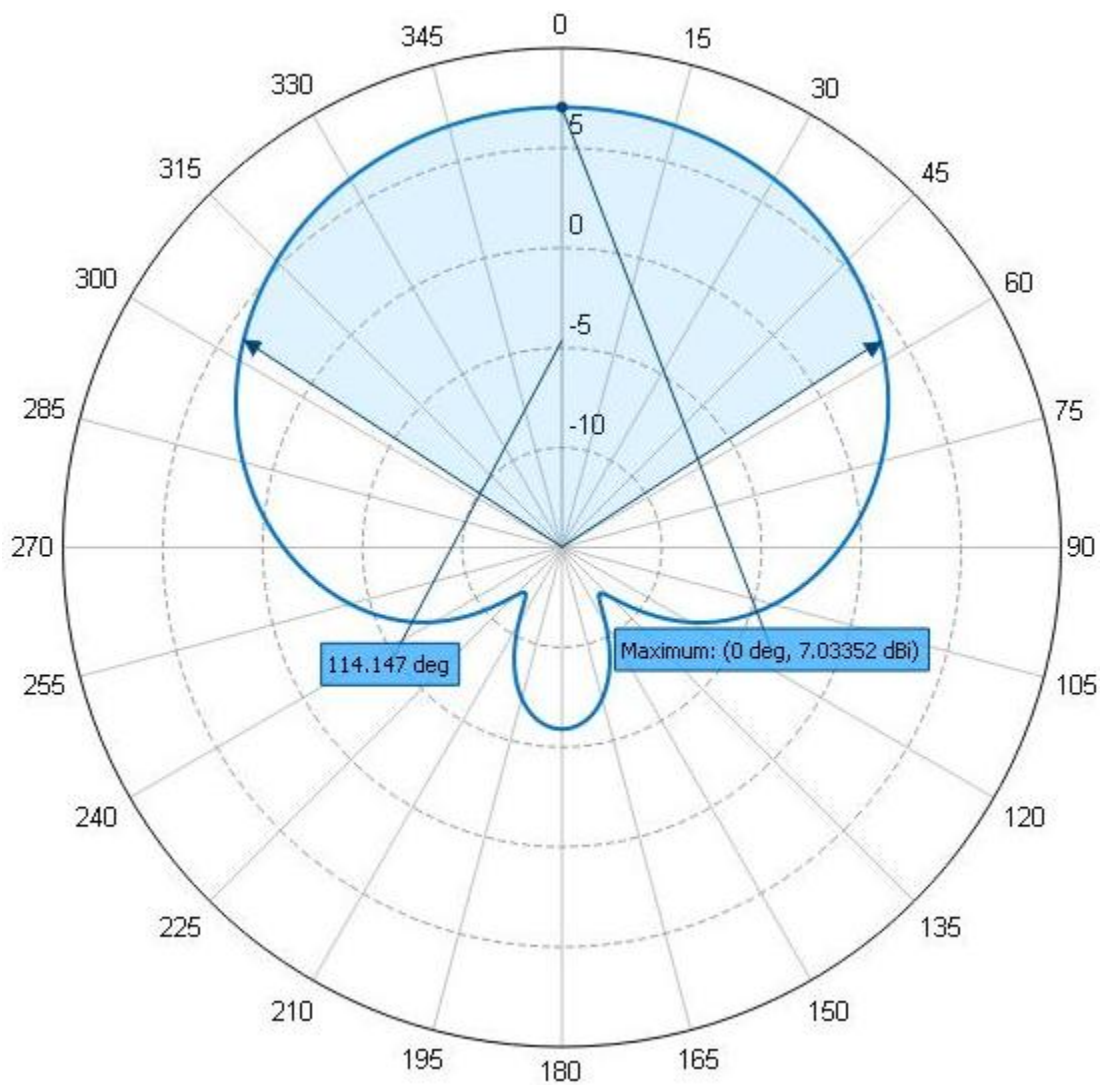
Features:

- Broadband Panel Antenna
- 1.7 - 2.5 GHz
- 7 dBi Gain
- Suction Cup Mounting Bracket Included
- Low Profile
- TNC(f) RF Connector with Right Angle TNC Adapter
- Markets and applications include:
 - Law enforcement
 - Surveillance
 - Airborne

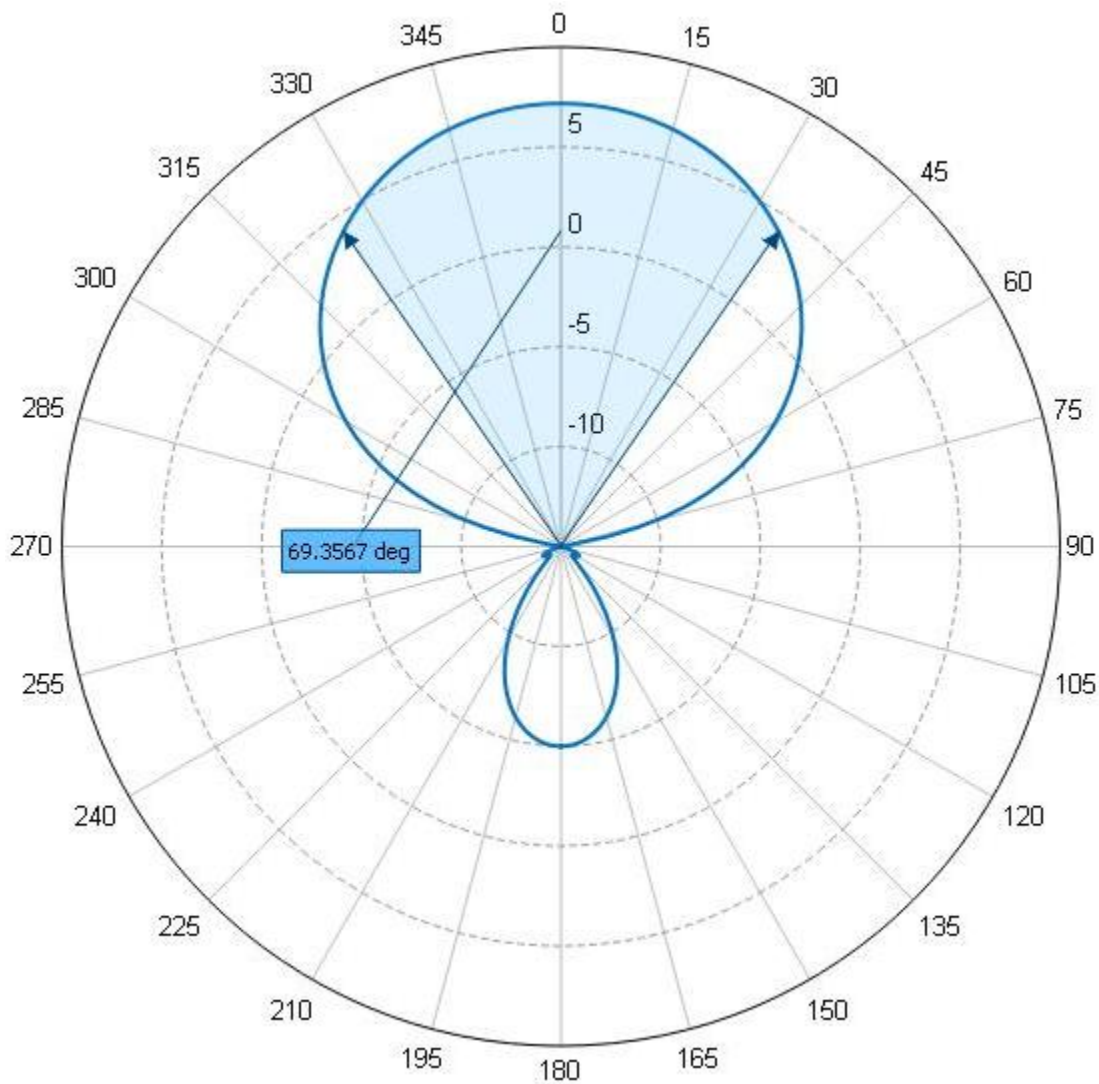


Antenna Specifications

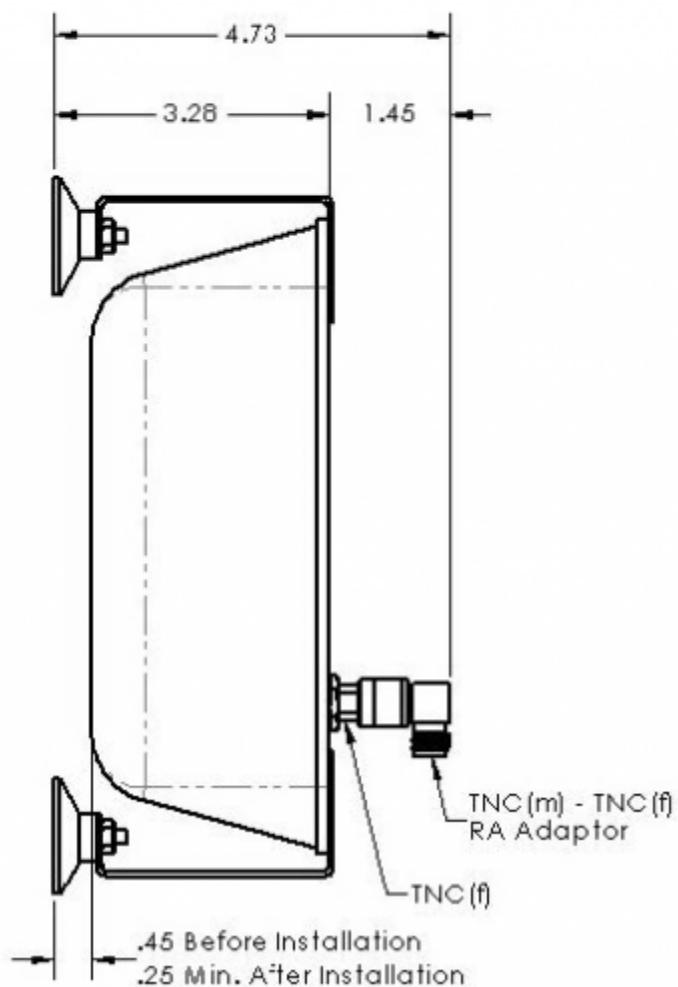
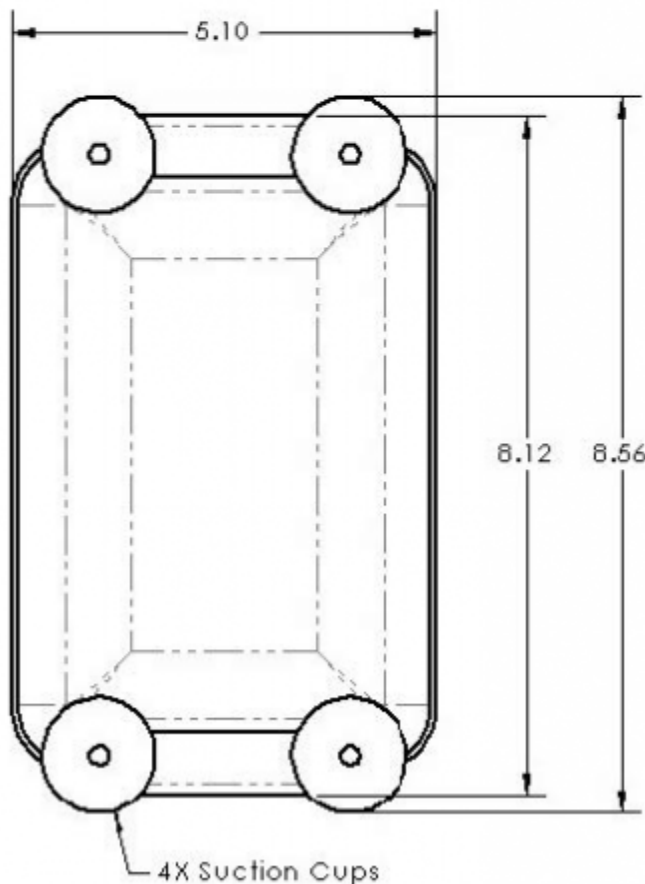
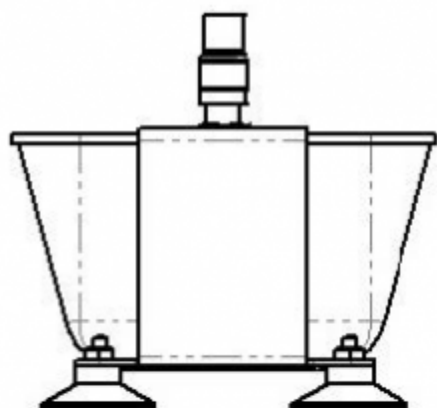
Parameter	Value	Units	Tolerance
Antenna Pattern	Directional Antenna		
Frequency Band	L & S		
Impedance	50	Ohms	
Minimum Frequency	1.7 / 1,700	GHz / MHz	
Maximum Frequency	2.5 / 2,500	GHz / MHz	
Frequency Bandwidth	0.8 / 800	GHz / MHz	
Maximum VSWR	1.5:1	Ratio	
Maximum Gain	7	dBi	
Polarization	Vertical		
Maximum RF Input Power	25 Watts		
Horizontal (AZ) Beamwidth	114	Degrees	
Vertical (EL) Beamwidth	69	Degrees	
Ground Plane Required	No		
Radome Material	Polycarbonate		
Color	White		
Mount Style	Suction Cup Window Mount (included)		
RF Connector Type	TNC(f)		
Product Length	5.10 / 129.54	inches / mm	
Product Width	4.73 / 120.14	inches / mm	
Product Height	8.12 / 206.25	inches / mm	
Product Weight	1	lb	



Azimuth Pattern



Elevation Pattern



Engineering Drawing

All dimensions are in inches