

**Features:**

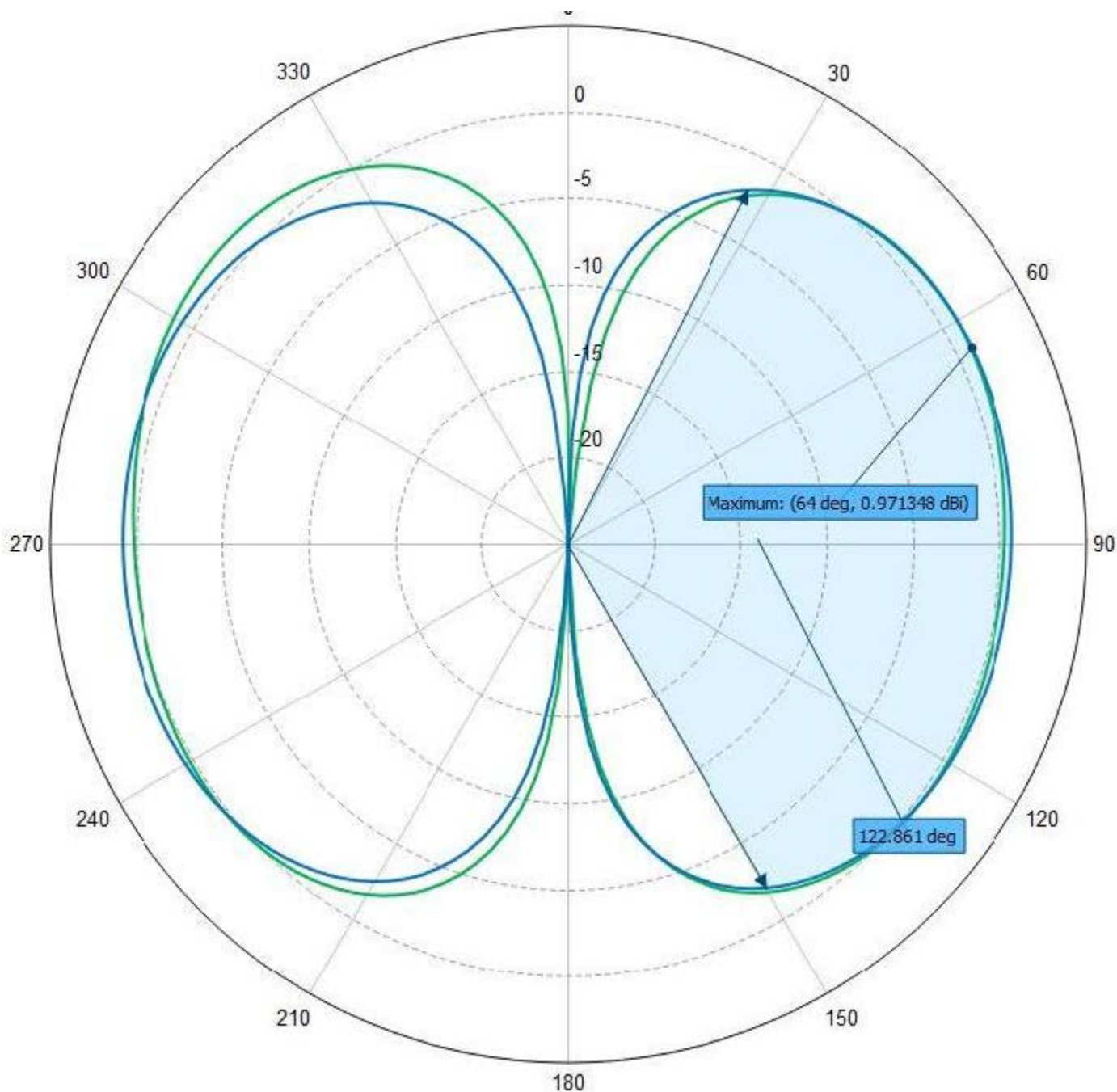
- Low Profile Omni Antenna - Only 1.21" tall
- Ideal for Concealments
- 2.1 - 2.5 GHz Frequency Coverage
- 1 dBi Gain
- .060" Rugged Kydex Radome (Pantone Color: Grey 428c,)



**Antenna Specifications**

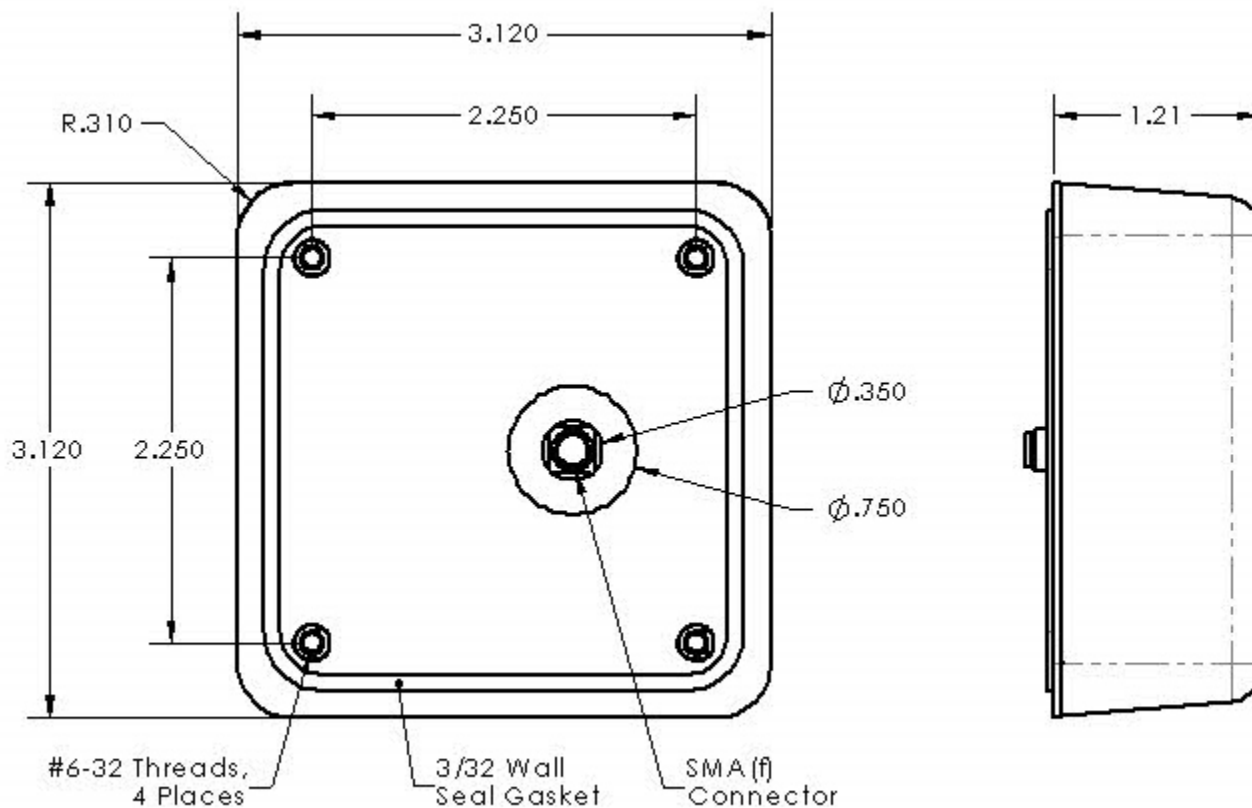
Parameter	Value	Units	Tolerance
<b>Antenna Pattern</b>	Omni Antenna		
<b>Impedance</b>	50	Ohms	
<b>Minimum Frequency</b>	2.1 / 2,100	GHz / MHz	
<b>Maximum Frequency</b>	2.5 / 2,500	GHz / MHz	
<b>Frequency Bandwidth</b>	0.4 / 400	GHz / MHz	
<b>Maximum VSWR</b>	<2:1	Ratio	
<b>Maximum Gain</b>	1	dBi	
<b>Polarization</b>	Vertical		
<b>Maximum RF Input Power</b>	50	Watts	
<b>Horizontal (AZ) Beamwidth</b>	360	Degrees	
<b>Vertical (EL) Beamwidth</b>	64	Degrees	
<b>Ground Plane Required</b>	No		

Parameter	Value	Units	Tolerance
<b>Color</b>	Pantone Grey 428c		
<b>Maximum Wind Velocity</b>	124 / 200	mph / kph	
<b>RF Connector Type</b>	SMA(f)		
<b>Operating Temperature Range</b>	-40 to +85	C	
<b>Product Length</b>	3.12 / 79.25	inches / mm	+ .020 / - 000
<b>Product Width</b>	3.12 / 79.25	inches / mm	+ .020 / - 000
<b>Product Height</b>	1.21 / 30.73	inches / mm	+ .020 / - 000



**Elevation Pattern**

Referenced to +5 dBi



**Engineering Drawing**

All dimensions are in inches