

Model 1004-003
9 dB Broadband Planar
Folded Dipole Patch
1700-2500 MHz

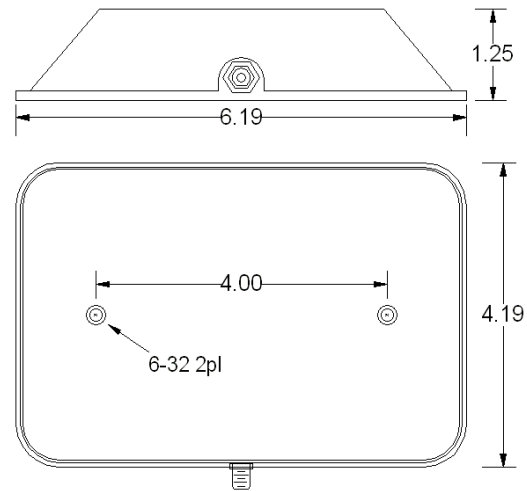
The Model 1004-003 Broadband Antenna is a linear polarized precision antenna with a sealed, all-weather, polycarbonate radome. The SMA connector is mounted on the side of the antenna for low-stress cable entry where the antenna is directed to the horizon.

The exceptional electrical performance and high gain of this antenna makes it especially useful for broadband or multiband microwave receivers and transmitters.

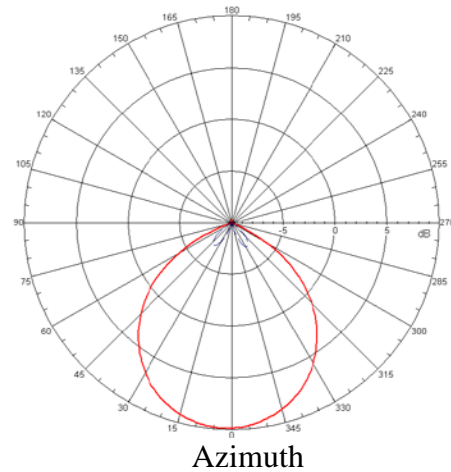
This antenna is specifically designed for L&S band communication markets such as law enforcement, surveillance, ENG, UAV and UGV.

Specifications:

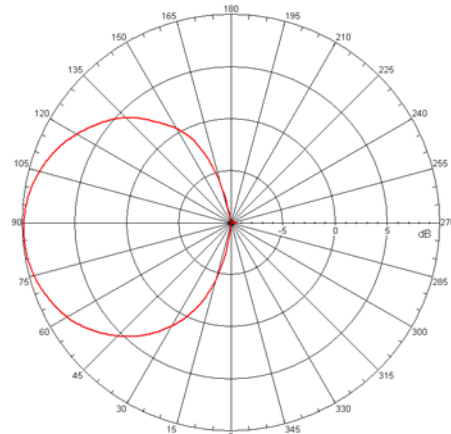
Frequency	1700-2500 MHz
Gain (min)	9 dBi
3dB Beamwidth (typ)	65° Elevation
	55° Azimuth
Polarity	Vertical
VSWR	≤ 1.5:1
Power	100 Watts
Weight	4 Ounces
Connector	SMA-F
Rating	Outdoor
	Fixed or Mobile
Construction	Al Ground Plane
	White Polycarbonate Radome
Mounting	2 ea 6-32, 4" spacing



Dimensions in Inches



Azimuth



Elevation